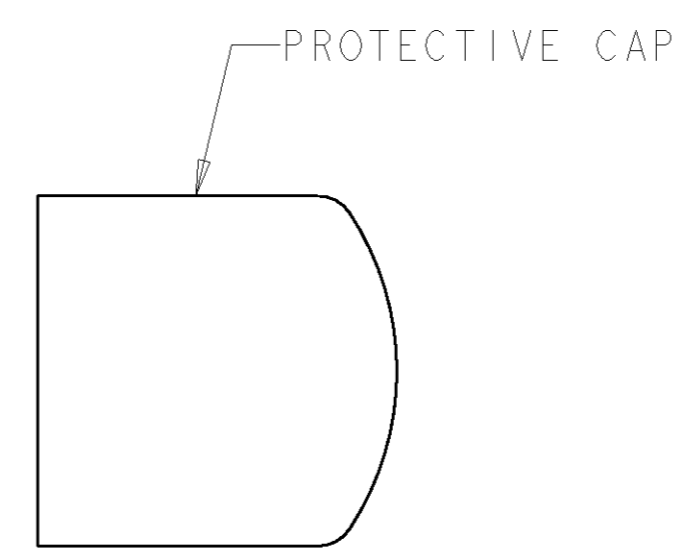
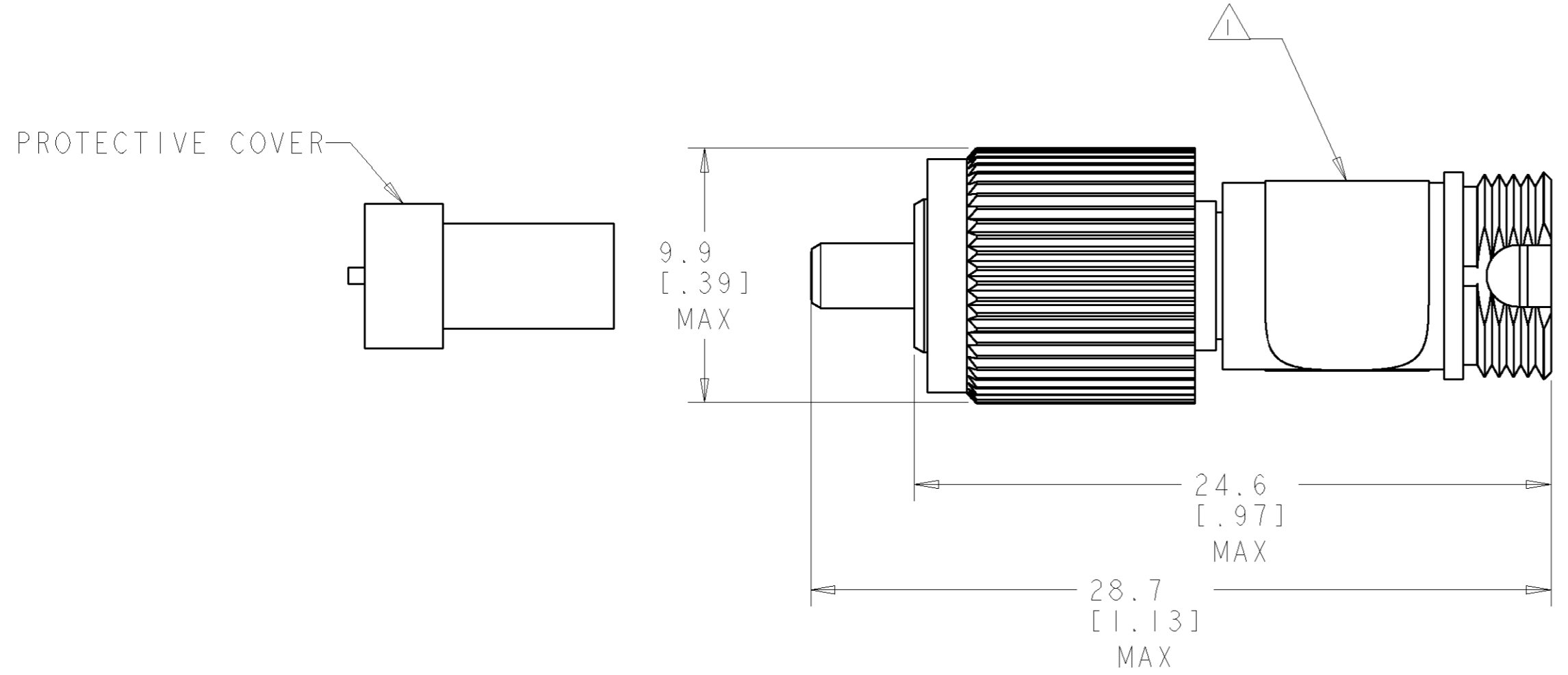
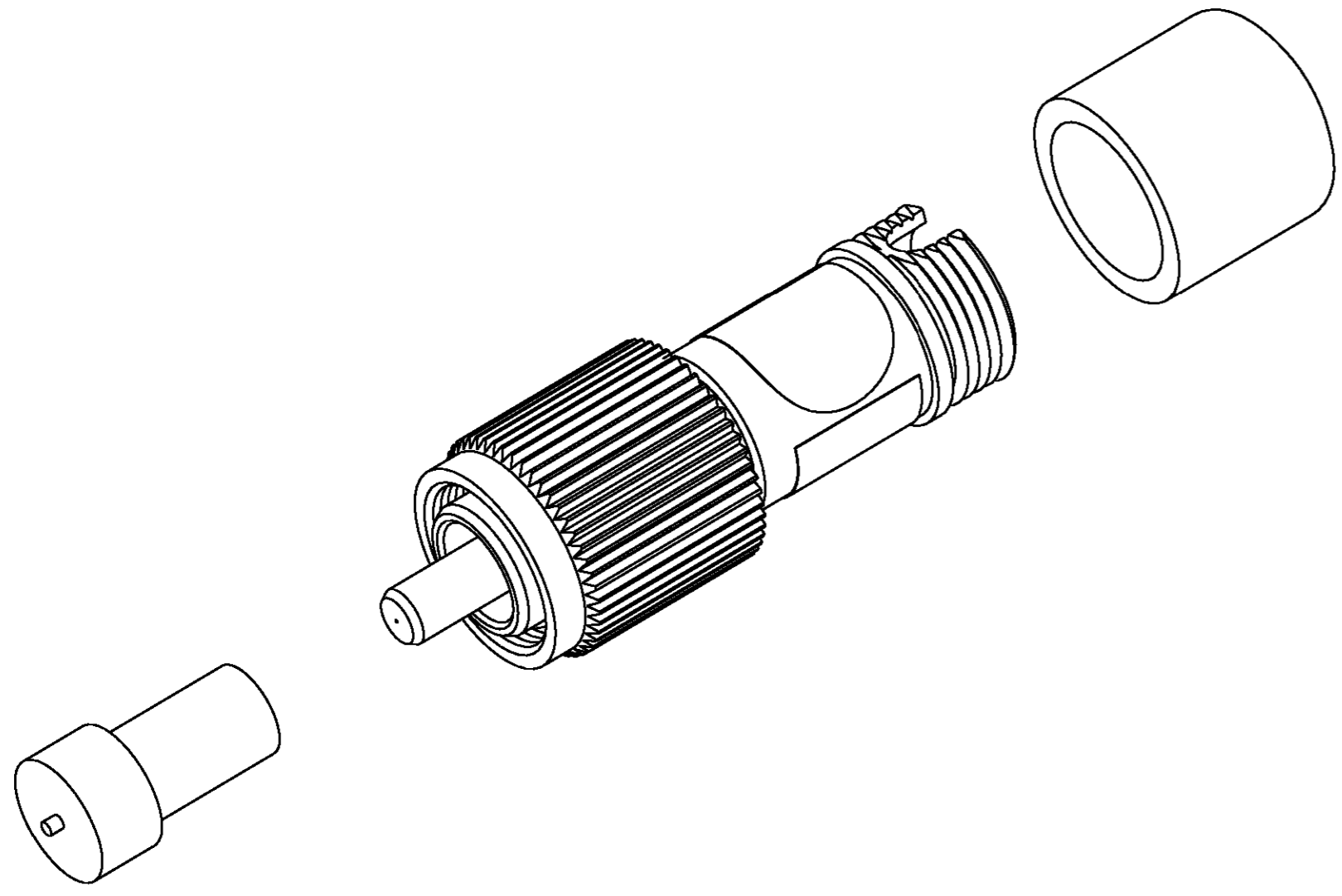


THIS DRAWING IS UNPUBLISHED. RELEASED FOR PUBLICATION 20
 © COPYRIGHT 20 BY TYCO ELECTRONICS CORPORATION. ALL RIGHTS RESERVED.

LOC	DIST	REVISIONS					
		P	LTR	DESCRIPTION	DATE	DWN	APVD
CE	16	E		REV PER EC 0A00-0466-02	14JUN2002	JAB	CB



NOMINAL ATTENUATION VALUE (dB)	PART NUMBER
1	209948-1
2	209948-2
3	209948-3
4	209948-4
5	209948-5
6	209948-6
7	209948-7
8	209948-8
9	209948-9
10	1-209948-0
11	1-209948-1
12	1-209948-2
13	1-209948-3
14	1-209948-4
15	1-209948-5
16	1-209948-6
17	1-209948-7
18	1-209948-8
19	1-209948-9
20	2-209948-0
25	2-209948-5

PERFORMANCE REQUIREMENTS:
 OPERATING WAVELENGTH : 1310/1550nm ±25nm
 REFLECTANCE : ≤ -55dB
 OPERATING TEMPERATURE : -40°C TO 75°C
 ATTENUATION TOLERANCE, AMBIENT :
 FOR ATTENUATORS ≥5dB: ±10% OF NOMINAL ATTENUATION VALUE
 FOR ATTENUATORS <5dB: ±.50dB
 MEASURED WITH REFERENCE QUALITY LAUNCH LEADS

△ TYCO LOGO, ATTENUATION VALUE, PART NUMBER, AND SERIAL NUMBER ARE PRINTED ON THE LABEL

THIS DRAWING IS A CONTROLLED DOCUMENT FOR TYCO ELECTRONICS CORPORATION. IT IS SUBJECT TO CHANGE AND THE CONTROLLING ENGINEERING ORGANIZATION SHOULD BE CONTACTED FOR THE LATEST REVISION.		DWN R. GRAPE 03/22/01	Tyco Electronics Harrisburg, PA 17105-3608	
DIMENSIONS: mm [INCHES]		CHK S. MILLER 03/22/01		
TOLERANCES UNLESS OTHERWISE SPECIFIED: 0 PLC ± 1 PLC ±1.0 2 PLC ±.38 3 PLC ± 4 PLC ±		APVD J. HIMES 03/22/01	NAME ATTENUATOR, OPTICAL, BUILDOUT FC/UPC, SM, DUAL WINDOW	
MATERIAL		PRODUCT SPEC	SIZE A2	CAGE CODE 00779
		FINISH	DRAWING NO 209948	RESTRICTED TO
			SCALE 5:1	SHEET 1 OF 1
		CUSTOMER DRAWING	REV E	