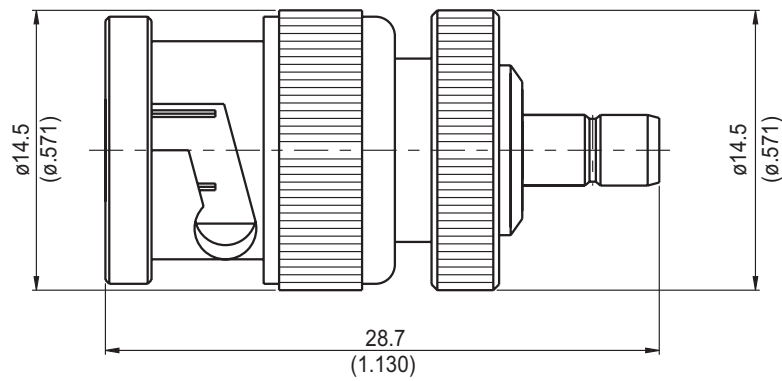


AD-B3S8

BNC Plug To SMB Jack



Typical VSWR

Part Number	1 Ghz	2 Ghz	3 Ghz	4 Ghz
AD-B3S8	1.04	1.08	1.09	1.16

Parts	Material	Plating (Micro-inch)
Contact Body(SMB)	Brass	Gold 5 Over Nickel 50 Over Copper 50
Contact Pin	Brass	Gold 10 Over Nickel 50 Over Copper 50
Gasket	Silicone	
Spring	SK5	Tin-Zinc-Copper-Alloy 100 Over Copper 50
Washer	Brass	Tin-Zinc-Copper-Alloy 100 Over Copper 50
Insulator	Teflon	
Body(BNC)	Brass	Tin-Zinc-Copper-Alloy 100 Over Copper 50
Coupling Nut(BNC)	Brass	Tin-Zinc-Copper-Alloy 100 Over Copper 50

Weight: 13.6 g

Notice: JYEBAO reserves the right to make modifications deemed appropriate.