

DUAL SUPPLY WIDE BAND TRIPLE VIDEO AMPLIFIER

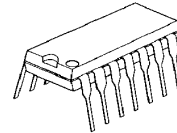
■ GENERAL DESCRIPTION

The NJM2581 is a wide band triple video amplifier, operated on a dual supply voltage.

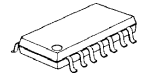
Frequency range is 50MHz for high quality AV system (D-terminal).

The NJM2581 is suitable for AV receiver, and other high quality AV systems.

■ PACKAGE OUTLINE



NJM2581D

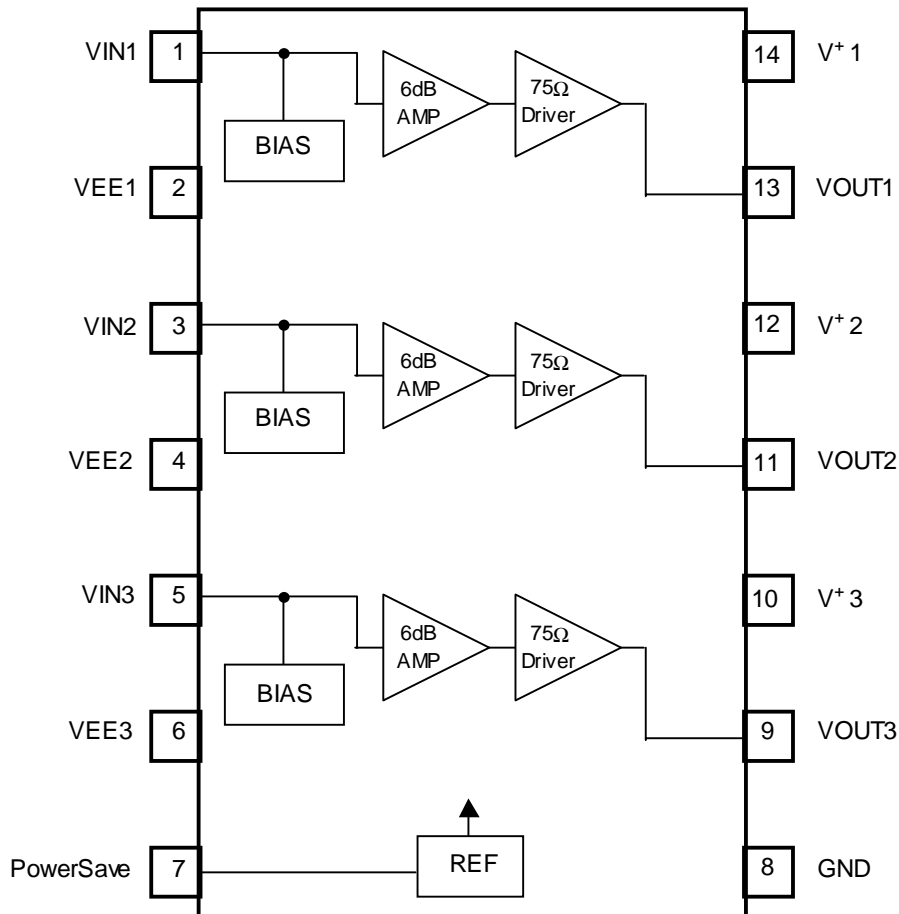


NJM2581M

■ FEATURES

- Operating Voltage ± 4.0 to $\pm 5.0V$
- Wide frequency range 50MHz@0dB typ.
- Internal 6dB Amplifier
- Internal 75Ω Driver Circuit
- 75 Ω 2-system drive
- Power Save Circuit
- Bipolar Technology
- Package Outline DIP14, DMP14

■ BLOCK DIAGRAM



■ ABSOLUTE MAXIMUM RATINGS

(Ta=25°C)

PRELIMINARY

PARAMETERS	SYMBOL	RATINGS	UNIT
Supply Voltage	V ^{+/-}	±6.0	V
Power Dissipation	P _D	(DIP) 500 (DMP) 350	mW
Operating Temperature Range	Topr	-40 to +85	°C
Storage Temperature Range	Tstg	-40 to +125	°C

■ ELECTRICAL CHARACTERISTICS

(V⁺=±5.0V, R_L=150Ω, Ta=25°C)

PARAMETER	SYMBOL	TEST CONDITION	MIN.	TYP.	MAX.	UNIT
Operating Voltage	Vopr		±4.0	-	±5.0	V
Operating Current	I _{CC}	No signal	-	23.0	TBD	mA
Operating Current (Power Save)	Isave	No signal, Power Save	-	-	1.2	mA
Maximum Output Voltage	Vom	Vin=1kHz, Sin signal, THD=1%,	2.4	3.0	-	Vp-p
Voltage Gain	Gv	Vin=1MHz, 1.0Vp-p Sin signal	6.0	6.4	6.8	dB
Differential Gain Between Channel	ΔGvB	Vin=1MHz, 1.0Vp-p Sin signal	-0.2	0	0.2	dB
Band Width	F		-	50	-	MHz
Frequency Characteristic	Gf	Vin=50MHz / 1MHz, 1.0Vp-p, Sin signal	-	0	-	dB
Cross talk 1	CTB1	Vin=4.43MHz, 1.0Vp-p, Sin signal	-	-70	-60	dB
Cross talk 2	CTB2	Vin=50MHz, 1.0Vp-p, Sin signal	-	-40	-	dB
Differential Gain	DG	Vin=1.0Vpp 10step Video signal	-	0.3	-	%
Differential Phase	DP	Vin=1.0Vpp 10step Video signal	-	0.3	-	deg
S/N	SNv	Vin=1.0Vpp, 100% White Video signal	-	+65	-	dB
Power Save Switch Change Voltage H Level	VthPH	IC Operating	2.0	-	V ⁺	V
Power Save Switch Change Voltage L Level	VthPL	IC Waiting	0	-	0.6	V

■ MODE SWITCH FUNCTION

PIN	MODE	NOTES
Power Save	H	Power Save : OFF
	L	Power Save : ON
	OPEN	Power Save : ON

[CAUTION]

The specifications on this databook are only given for information, without any guarantee as regards either mistakes or omissions. The application circuits in this databook are described only to show representative usages of the product and not intended for the guarantee or permission of any right including the industrial rights.

Ver.1