

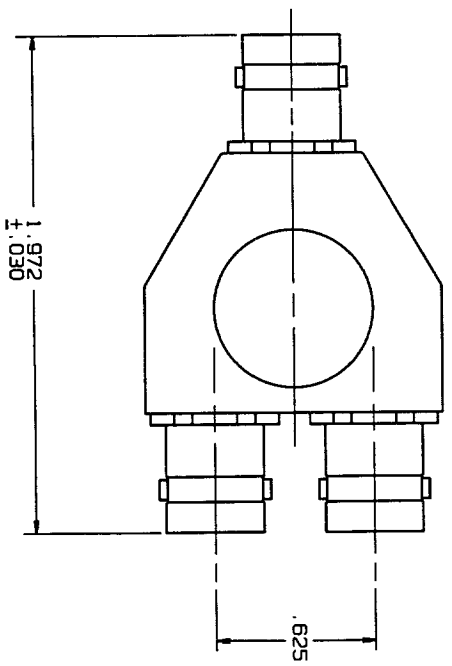
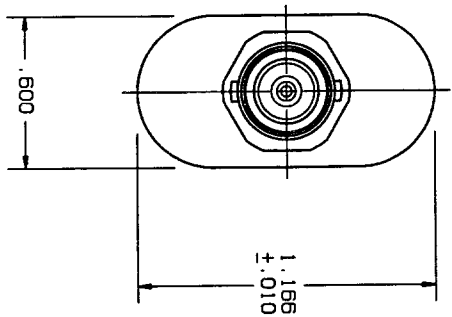
ED PROJECT 00000000

DASH NO	CONNECTOR TYPE
-1	BJ20
-2	UBJ20

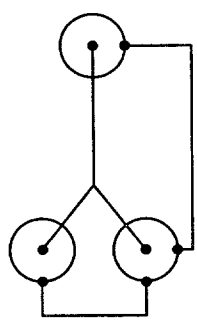
INCH	MM
.005	0.13
.030	0.76
.600	15.24
.625	15.88
1.166	29.62
1.972	50.09

DATA CONTAINED IN THIS DOCUMENT IS PROPRIETARY TO TROMPETER ELECTRONICS, INC. AND SHALL NOT BE DISCLOSED, COPIED OR USED FOR PROCUREMENT OR MANUFACTURE WITHOUT EXPRESS WRITTEN PERMISSION.

REV	ED	DESCRIPTION	OWN	APPROVED	DATE
B	10742	-1 WAS BASIC, ADDED -2; ADDED SHEET 2; DRAWING NUMBER WAS 1005-0795	DKC	Bm'k	7/18/94



-2 SHOWN



SCHEMATIC

- FINISH: TFS-1A (NICKEL)
- ALL DIM ARE IN INCHES

QTY	DESCRIPTION	PART NUMBER	ITEM
TOL UNLESS SPECIFIED .XX ± .XXX ± .XXXX ± ANGLES	TROMPETER ELECTRONICS, INC.	PN2A/PN2A (ALL FEMALE)	
OWN	DKC 7-11-94	MATERIAL	CODE IDENT
CHK	Bm'k 7-15-94		14949
ENGR			DRAWING NO. 105-0795
APPR	KQ 7-15-94	SCALE 2/1	DATE 5-18-76
			SHEET 1 OF 2