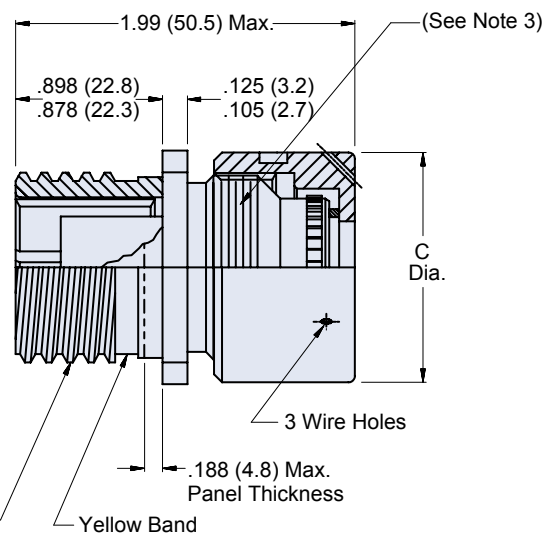
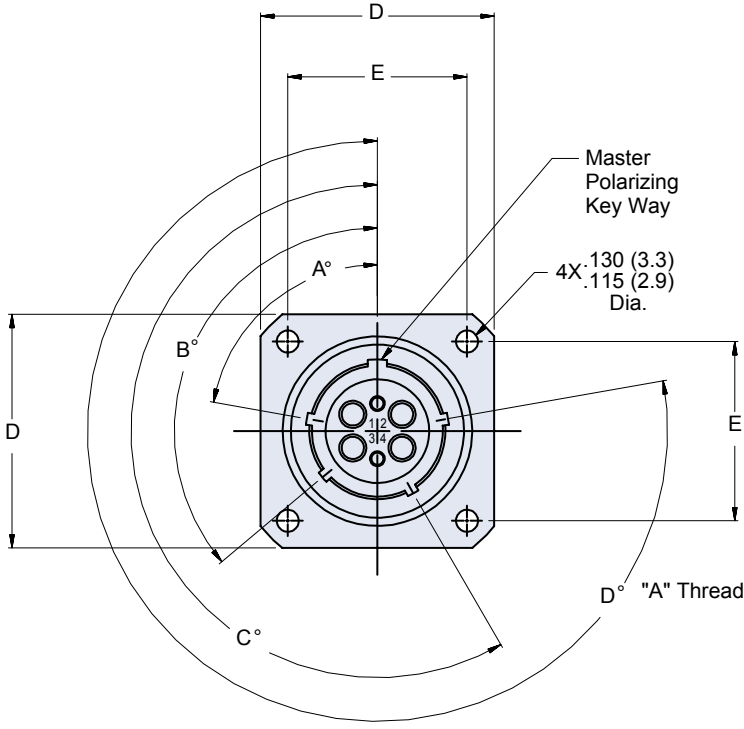
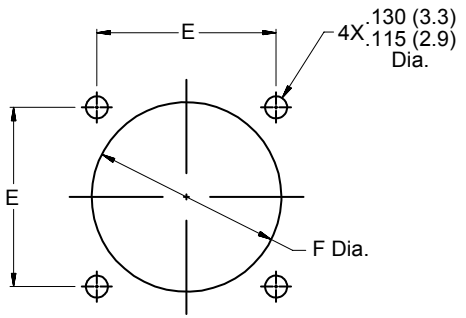




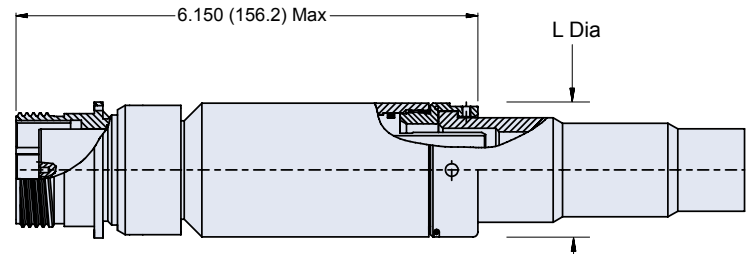
180-040 (-03, -13, -23, -33)
MIL-PRF-28876 Style Wall Mount Receptacle Connector
for use with MIL-PRF-29504/14 and /15 Termini



03 - WALL MOUNT RECEPTACLE WITHOUT BACKSHELL



RECOMMENDED PANEL CUT-OUT



13 - WALL MOUNT RECEPTACLE WITH STRAIGHT BACKSHELL

TABLE VI: SHELL SIZE						
Shell Size	D ± .020 (0.5)	E	F Dia ± .005 (0.1)	C Dia Max	L Dia Max	"A" Thread Size .1P-.2L-DS
11	1.022 (26.0)	.750 (19.1)	.812 (20.6)	.960 (24.4)	.960 (24.4)	.750 (19.05)
13	1.137 (28.9)	.843 (21.4)	.937 (23.8)	1.085 (27.6)	1.085 (27.6)	.875 (22.2)
15	1.257 (31.9)	.968 (24.6)	1.124 (28.5)	1.255 (31.9)	1.255 (31.9)	1.062 (26.9)
23	1.718 (43.6)	1.281 (32.5)	1.562 (39.7)	1.695 (43.1)	1.763 (44.8)	1.500 (38.1)