



PTC THERMISTORS: TYPE YR

OVER-TEMPERATURE PROTECTION

DESCRIPTION:

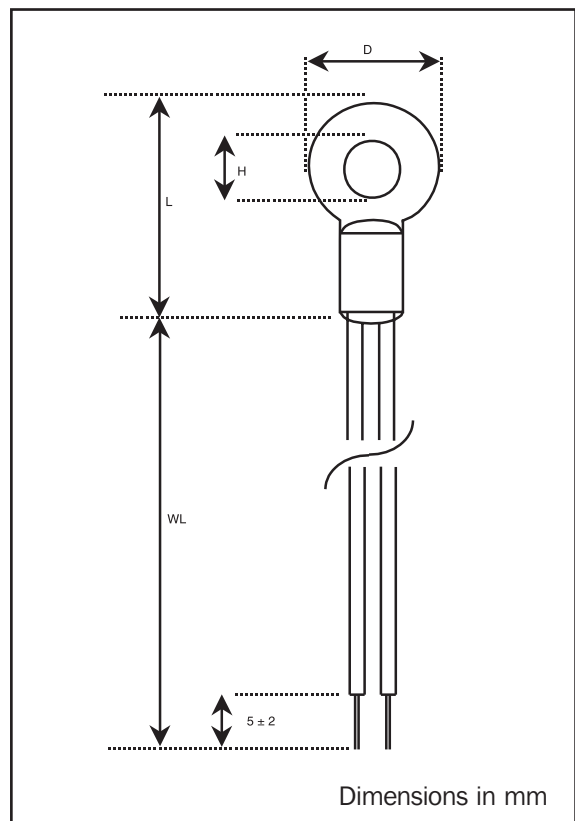
A range of PTC disc thermistors with insulated flexible wires and housed in an eyelet tag.

FEATURES:

- Suitable for surface temperature measurement (over-temperature protection)
- Sensing element electrically isolated from tag
- Eyelets to fit M3, M4 & M5 screw sizes
- Range of switch temperatures T_{NF} 60 to 140°C
- Range of wire lengths 50 to 2000mm (dimension WL in diagram right)
- Typical applications include semiconductor heatsinks, enclosure panels

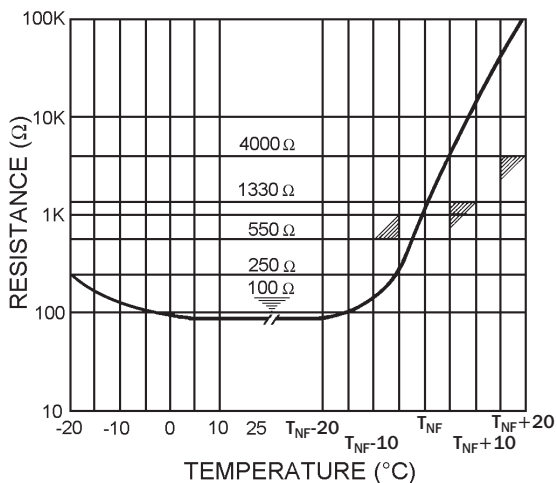


DIMENSIONS:



DATA:

Typical characteristic for $T_{NF} \geq 90^\circ\text{C}$ showing specification limits:



Devices with $T_{NF} = 60$ to 80°C									
-20 to $T_{NF}-20^\circ\text{C}$		25°C		$T_{NF}-5^\circ\text{C}$		$T_{NF}+5^\circ\text{C}$		$T_{NF}+23^\circ\text{C}$	
Ω	V d.c.	Ω	V d.c.	Ω	V d.c.	Ω	V d.c.	Ω	V d.c.
≤ 250	2.5	≤ 100	0.2	≤ 570	2.5	≥ 570	2.5	≥ 10000	2.5

Devices with $T_{NF} = 90$ to 160°C									
-20 to $T_{NF}-20^\circ\text{C}$		25°C		$T_{NF}-5^\circ\text{C}$		$T_{NF}+5^\circ\text{C}$		$T_{NF}+15^\circ\text{C}$	
Ω	V d.c.	Ω	V d.c.	Ω	V d.c.	Ω	V d.c.	Ω	V d.c.
≤ 250	2.5	≤ 100	0.2	≤ 550	2.5	≥ 1330	2.5	≥ 4000	7.5

At temperatures lower than -20°C the resistance can be greater than 250Ω .

BOWTHORPE THERMOMETRICS
 Crown Industrial Estate, Priorswood Road
 Taunton, Somerset TA2 8QY UK
 Tel +44 (0) 1823 335200
 Fax +44 (0) 1823 332637

THERMOMETRICS, INC.
 808 US Highway 1
 Edison, New Jersey 08817-4695 USA
 Tel +1 (732) 287 2870
 Fax +1 (732) 287 8847

KEYSTONE THERMOMETRICS CORPORATION
 967 Windfall Road
 St. Marys, Pennsylvania 15857-3397 USA
 Tel +1 (814) 834 9140
 Fax +1 (814) 781 7969



PTC THERMISTORS: TYPE YR

OVER-TEMPERATURE PROTECTION

DATA:

Temperature range-25°C to +155°C
Isolation voltage500V d.c.
Maximum applied voltage7.5V d.c.
Wire conductors.....Silver plated copper
7x0.1mm dia
Wire insulation.....PTFE
Pack quantity & MOQ
Dependent on wire length

OPTIONS:

- Other resistances
- Other wire types

CODING:

Switch temperature, eyelet size and wire length are specified by the product code e.g. YR060M3L500

Example	Description	Standard values	Other information		
YR	Sensor style				
060	Switch temperature T_{NF} °C		Terminal wire colors		
		060	White - Grey		
		070	White - Brown		
		080	White - White		
		090	Green - Green		
		095	Black - Red		
		100	Red - Red		
		110	Brown - Brown		
		115	Brown - Red		
		120	Grey - Grey		
		125	Grey - Red		
		130	Blue - Blue		
		140	Blue - White		
M3	Eyelet size		H (mm)	D (mm)	L (mm)
		M3	3.2	6.4	12.3
		M4	4.3	8.5	16.8
		M5	5.3	8.5	16.8
L500	Wire length WL mm		Wire length (mm)		
		L500	50 ± 5		
		L101	100 ± 10		
		L201	200 ± 20		
		L301	300 ± 20		
		L401	400 ± 20		
		L501	500 ± 20		
		L102	1000 ± 50		
		L152	1500 ± 50		
L202	2000 ± 50				