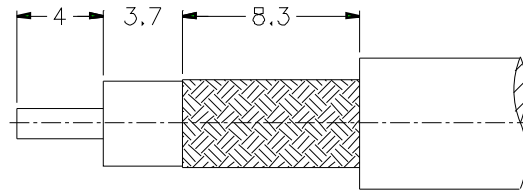
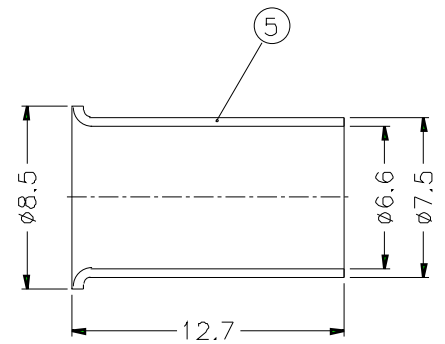
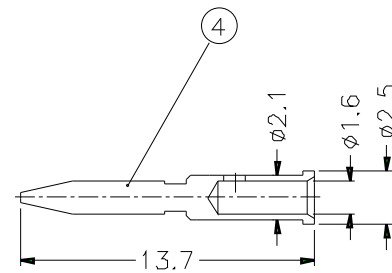
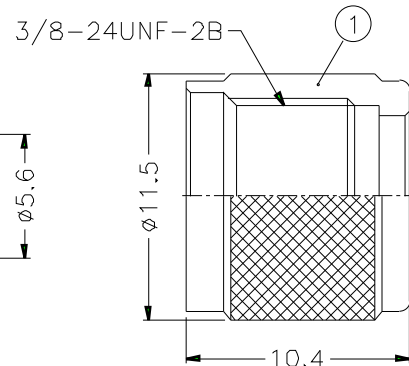
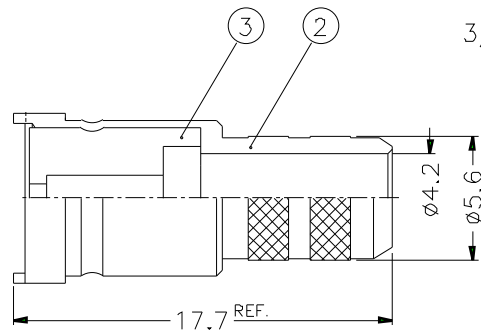


1			2			3			4			5			6			7			8		
REVISIONS																							
ISS	ZONE	DESCRIPTION\PER REQUEST\DATE																					



RECOMMENDED
CABLE STRIPPING DIM'S



- NOTES: FINISH (PLATING THICKNESS IN MICRO-INCHES)
- BRASS PER QQ-B-626
 - NICKEL PL. 100 MIN. THICK OVER COPPER STRIKE
 - GOLD PL. 3 MIN. THICK OVER NICKEL PL. 100 MIN. THICK OVER COPPER STRIKE
 - TEFLON MIL-P-19468
 - JIS H 3250, C 2700

- CRIMPED FERRULE
HEX CRIMP SIZE .255"
- CRIMPED CONTACT PIN
HEX CRIMP SIZE .068"

DIMENSIONS ARE IN MILLIMETERS						PART NO.			<h1 style="text-align: center;">Amphenol</h1>					
UNLESS OTHERWISE SPECIFIED TOLERANCES						MU1121A1-NT3G-7B-50								
0.5-6 = ±0.2						APPROVED						DATE		
6-30 = ±0.4						CHECKED						DATE		
30-120 = ±0.6						DRAWN			DATE					
120-315 = ±1						FILE NO.			TITLE					
315-1000 = ±1.6									MINI-UHF CRIMP PLUG					
1000-2000 = ±2.4									DRAWING NO.					
									KJ-MU1121A1-NT3G-8X-50					
									ITEM NO.					

5	FERRULE	NOTE 5	NOTE 2	1	FR-85/66-75/66 X127
4	CONTACT PIN	NOTE 1	NOTE 3	1	MU5000-4-25/16
3	INSULATOR	NOTE 4	NATURAL	1	MU5000-3T-50-B
2	BODY	NOTE 1	NOTE 2	1	MU5000-2-56/42 -B
1	SHELL	NOTE 1	NOTE 2	1	MU5000-1
NO.	DESCRIPTION	MATERIAL	FINISH	Q'TY	DRAWING NO.

1			2			3			4			5			6			7			8		
---	--	--	---	--	--	---	--	--	---	--	--	---	--	--	---	--	--	---	--	--	---	--	--