

PRODUCT DATA DRAWING

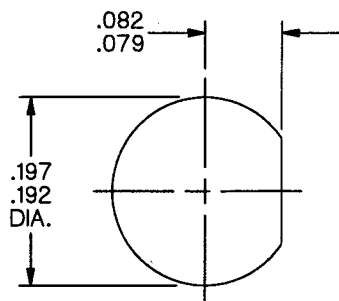
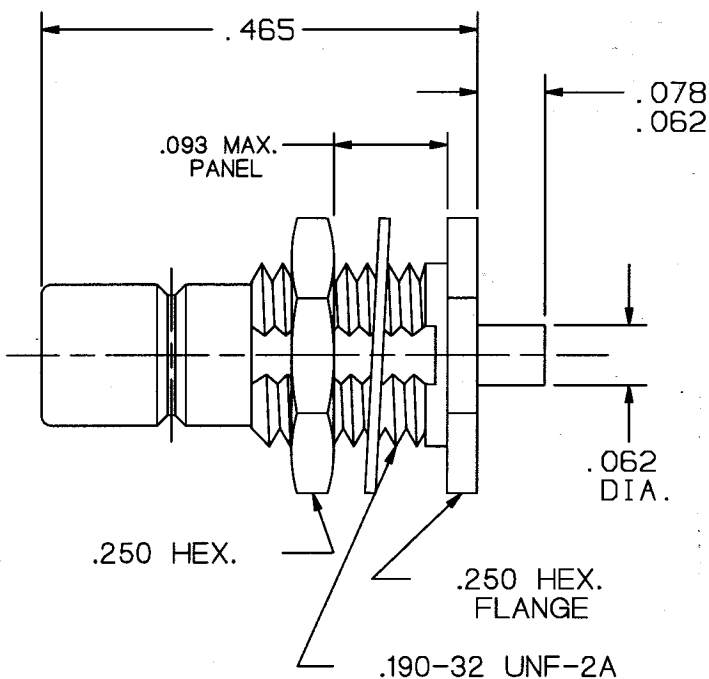
CAD
GENERATED
DRAWING

DCN
CONTROLLED
DOCUMENT

DWG. NO.

2375-0005

ENG. FILE COPY



RECOMMENDED
MOUNTING HOLE

MATERIALS:

BODY, CONTACT & HEX NUT: BRASS PER ASTM B 16, ALLOY 360
LOCK WASHER: PHOSPHOR BRONZE PER ASTM B 103
INSULATOR: TEFLON PER ASTM D 1457

FINISH:

CENTER CONTACT: .000030 MIN. GOLD OVER NICKEL
BODY: .000015 MIN. GOLD OVER NICKEL
ALL OTHER METAL PARTS: .000005 MIN. GOLD OVER NICKEL

IMPEDANCE: 50 OHMS
FREQ. RANGE: DC-4.0 GHz.
D.W.V.: 1000 VRMS
INSULATION RESISTANCE: 1000 MEGOHMS
CONTACT CAPTIVATION: 6.0 LBS. MIN. AXIAL FORCE

SYM.	DESCRIPTION	DATE	APPR.	UNLESS OTHERWISE SPECIFIED:	DIMENSIONS ARE IN INCHES TOLERANCES:			Solitron Vector Microwave 3301 ELECTRONICS WAY WEST PALM BEACH, FL. 33407
—	REL. DCN 22450	4/96	J. M.	1) ALL DIMENSIONS ARE AFTER PLATING. 2) BREAK CORNERS & EDGES .005 R. MAX. 3) CHAM. 1st & LAST THDS. 4) SURFACE ROUGHNESS 63 / MIL-STD-10. 5) DIAS. ON COMMON CENTERS TO BE CONCENTRIC WITHIN .005 T.I.R. 6) REMOVE ALL BURRS.	DECIMALS .X ±.030 .XX ±.015 .XXX ±.005	FRACTIONAL ±1/64	ANGULAR X° ±1°0' X°X' ±15'	
A	REV. DCN 22479	4/96	J. M.		MATERIAL: SEE ABOVE			SMB JACK BULKHEAD FEEDTHRU RECEPTACLE
				DRAWN: JRG. 4/04/96	FINISH: SEE ABOVE AREA: N/A		DWG. NO.	
				CHECKED: DMB 4/09/96	SIZE	CAGE NO.	SCALE	2375-0005
				APPROVED: J. M. 4/10/96	A	95077	5X	