

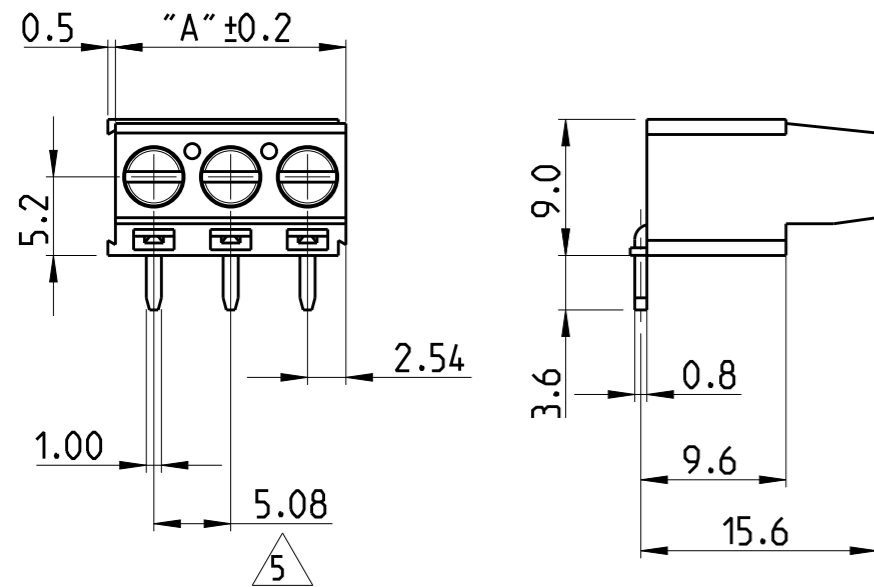
THIS DRAWING IS UNPUBLISHED. RELEASED FOR PUBLICATION 20  
 © COPYRIGHT 20 BY - ALL RIGHTS RESERVED.

REVISIONS

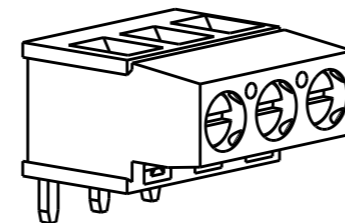
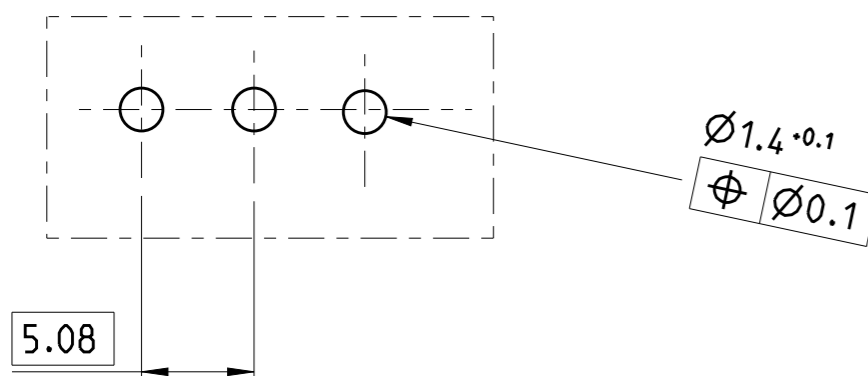
P	LTR	DESCRIPTION	DATE	DWN	APVD
	A1	WIRE RANGE CHANGED FROM 30-12 TO 12-30	23JAN2018	RK	PS

NOTES:


- MATERIALS & FINISH**  
 HOUSING : PA6.6, UL94 V0, COLOR - GREEN  
 SCREW M3 : BRASS, NICKEL PLATED  
 CLAMP : BRASS, NICKEL PLATED  
 CONTACT : BRASS, TIN PLATED
  - MECHANICAL**  
 RECOMMENDED/HIGHEST TIGHTENING TORQUE 0.5/0.6 Nm  
 PCB THICKNESS: MAX. 2.4 mm  
 STRIPPING LENGTH 5.5 TO 6.5 mm
  - ELECTRICAL**  
 WIRE RANGE: 12-30 AWG  
 MAX. VOLTAGE : 300 V  
 MAX CURRENT : 17.5 A (FACTORY WIRING); 15A (FIELD WIRING)  
 CONTACT RESISTANCE <15 MΩ  
 INSULATION RESISTANCE : > 1000 MΩ (500V DC)
  - OPERATING TEMPERATURE RANGE : -40 °C TO +110 °C**
- △ 5 TOLERANCE NOT CUMULATIVE.



RECOMMENDED PCB HOLE LAYOUT



127.00	25	2-1986895-5
121.92	24	2-1986895-4
116.84	23	2-1986895-3
111.76	22	2-1986895-2
106.68	21	2-1986895-1
101.60	20	2-1986895-0
96.52	19	1-1986895-9
91.44	18	1-1986895-8
86.36	17	1-1986895-7
81.28	16	1-1986895-6
76.20	15	1-1986895-5
71.12	14	1-1986895-4
66.04	13	1-1986895-3
60.96	12	1-1986895-2
55.88	11	1-1986895-1
50.80	10	1-1986895-0
45.72	9	1986895-9
40.64	8	1986895-8
35.56	7	1986895-7
30.48	6	1986895-6
25.40	5	1986895-5
20.32	4	1986895-4
15.24	3	1986895-3
10.16	2	1986895-2
DIM 'A'	NO. OF POS.	PART NO

THIS DRAWING IS A CONTROLLED DOCUMENT.		DWN 15DEC 2014 ASHIK H	 TE Connectivity	
DIMENSIONS: mm		CHK 30DEC 2014 PRASHANTH		
TOLERANCES UNLESS OTHERWISE SPECIFIED:		APVD 30DEC 2014 JAYANTH KUMAR	NAME EUROSTYLE TERMINAL BLOCK 90 DEG. MODULAR, PITCH 5.08 MM	
0 PLC ±0.2 1 PLC ±0.15 2 PLC ±0.15 3 PLC ±0.15 4 PLC ±0.15 ANGLES ±2°		PRODUCT SPEC	RESTRICTED TO	
MATERIAL SEE NOTES		APPLICATION SPEC	SIZE A3	CAGE CODE 00779
FINISH		WEIGHT -	DRAWING NO C-1986895	
-		CUSTOMER DRAWING	SCALE 2:1	SHEET 1 OF 1
-			REV A1	