



Outdoor weather station

Robot

Leakage detection

Road traffic management

Active steering system



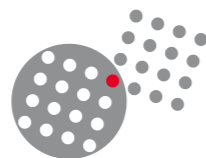
Click on a part number to download
2D drawings & 3D models or buy online

New power layout / 6+ground

The solution to power your device up to (10A 500V)
with the new 6 + ground Hi seal layout.

- Rapid and secure locking ✓ Bayonet coupling (1/3 turn)
- Waterproof ✓ IP68/IP69K
- Corrosion proof ✓ Plastic housing
- Suitable for outdoor use ✓ UV resistant
- PCB board & electronic protection ✓ Sealed unmated

www.souriau.com
www.souriau-industrial.com
contactindustry@souriau.com



SOURIAU
© 2011 - SOURIAU



SOURIAU

WINDLITS H7001US © Copyright SOURIAU 2011 - All information in this document presents only general particulars and shall not form part of any contract. All rights reserved to SOURIAU for changes without prior notification or public announcement. Any duplication is prohibited, unless approved in writing.



Specifications

Click on a part number to download 2D drawings & 3D models or buy online

Contact type	Connector type	Backshell	Part number	
			Male insert	Female insert
Crimp contacts supply separately	Square flange receptacle	Without (Fig.2)	UTS0147P	
	Free hanging receptacle	Cable gland and grommet (Fig.3)	UTS1GJC147P	
	Free hanging receptacle	Nut and grommet (Fig.4)	UTS1GN147P	
	Free hanging receptacle	Cable gland (Fig.3)	UTS1JC147P	UTS1JC147S
	Plug	Without (Fig.5)	UTS6147P	UTS6147S
	Plug	Cable gland and grommet (Fig.6)		UTS6GJC147S
	Plug	Nut and grommet (Fig.7)		UTS6GN147S
	Plug	Cable gland (Fig.6)	UTS6JC147P	UTS6JC147S
	Jam nut receptacle	Without (Fig.8)	UTS7147P	UTS7147S
	Jam nut receptacle	Cable gland and grommet (Fig.10)	UTS7GJC147P	
Jam nut receptacle	Nut and grommet (Fig.9)	UTS7GN147P		
Hand solder electrical contacts loaded	Square flange receptacle	Without (Fig.2)	UTS014E7P	UTS014E7S
	Plug	Cable gland (Fig.6)	UTS6JC14E7P	UTS6JC14E7S
	Jam nut receptacle	Without (Fig.11)	UTS714E7P	UTS714E7S
PCB contacts loaded	Square flange receptacle	Without (Fig.1)	UTS014D7P	UTS014D7S
	Jam nut receptacle with stand off and hold down clips	Without (Fig.11)	UTS714D7P32	UTS714D7S32
	Jam nut receptacle with stand off and without hold down clip	Without (Fig.11)	UTS714D7P	UTS714D7S
	Jam nut receptacle	With stand off and hold down clip (Fig.11)	UTS7147PSEK9	
Screw contacts loaded	Jam nut receptacle	Without (Fig.8)	UTS7147PSCR	UTS7147SSCR
	Free hanging receptacle	Cable gland (Fig.3)	UTS1JC147PSCR	
	Plug	Cable gland (Fig.6)	UTS6JC147PSCR	UTS6JC147SSCR

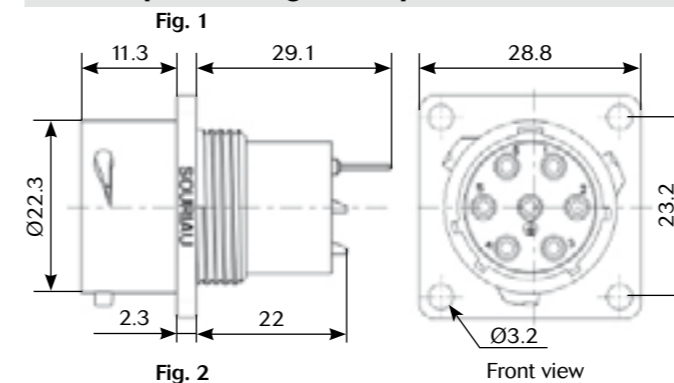
Sealed unsealed



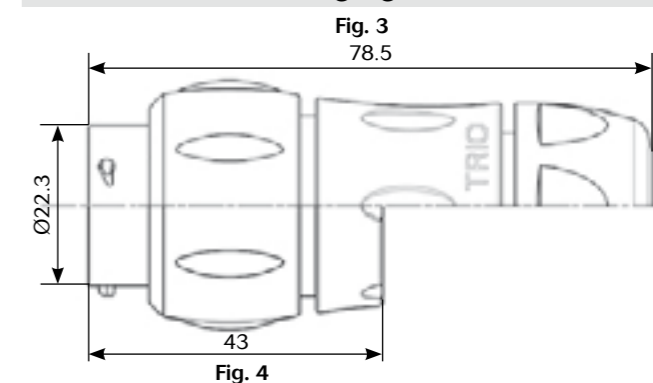
Dimensions

10A 500V
per UL 1977

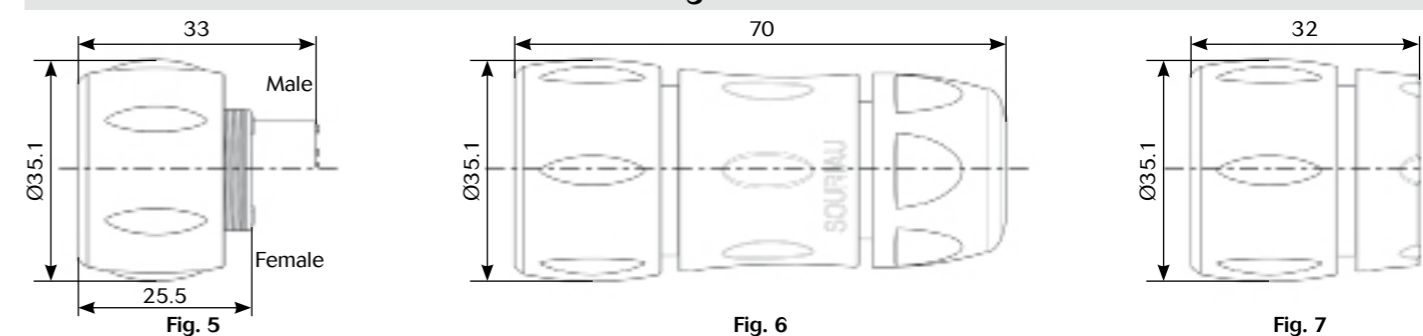
Square flange receptacle - UTS0



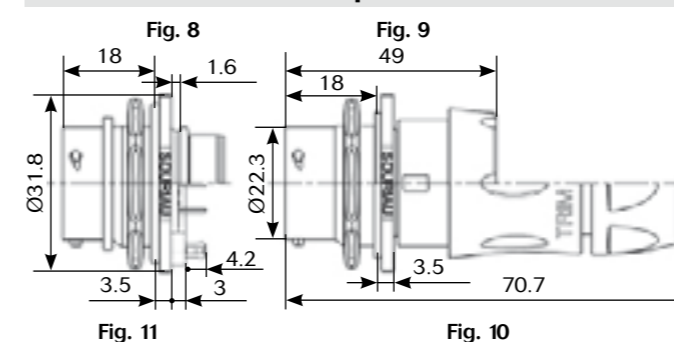
Free hanging - UTS1



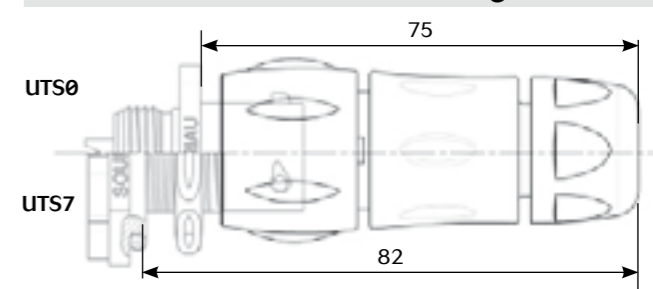
Plug - UTS6



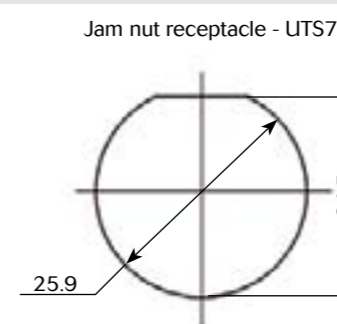
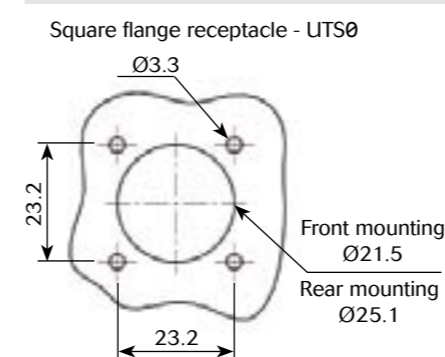
Jam nut receptacle - UTS7



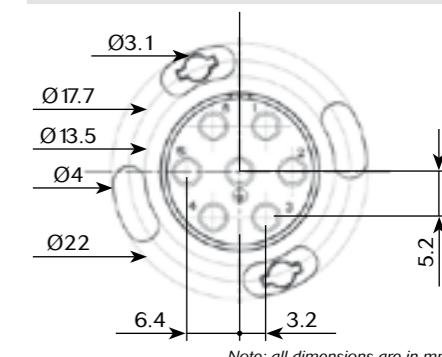
Mated connector length



Panel cut out



Drilling pattern



Note: all dimensions are in mm



Accessories

Jam nut sealing caps



Part number
UTS14DCG



Metal terminal
Part number
UTS14DCGR

Plug sealing cap



Part number
UTS614DCG

Square flange sealing cap



Metal terminal
Part number
UTS14DCGE

Plastic protective cap



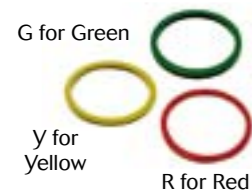
Part numbers
Receptacle cap | Plug cap
85005588A | 85005597

Gasket



Part number / neoprene
UTFD14B

Color coding rings



Part numbers	
Receptacles	Plugs
UTS714CCRR	UTS614CCRR
UTS714CCRY	UTS614CCRY
UTS714CCRG	UTS614CCRG

Handle



Part number
Shandles

Tool kit



Part number
Toolkit

Crimp tooling



Click on a part number to buy online

Contacts	Contact size	Part number of head	
RM/RC 28M1K ⁽¹⁾	Standard contacts #16 Ø 1.6mm	S16RCM20	
RM/RC 24M9K ⁽¹⁾		S16RCM20	
RM/RC 20M13K ⁽¹⁾		S16RCM20	
RM/RC 20M12K ⁽¹⁾		S16RCM20	
RM/RC 16M23K ⁽¹⁾		S16RCM16	
RM/RC 14M50K ⁽¹⁾		S16RCM1450	
RM/RC 14M30K ⁽¹⁾		S16RCM14	
SM/SC 24ML1TK6 ⁽¹⁾		S16SCM20	
SM/SC 20ML1TK6 ⁽¹⁾		S16SCM20	
SM/SC 16ML1TK6 ⁽¹⁾		S16SCML1	
SM/SC 14ML1TK6 ⁽¹⁾		S16SCML1	
SM/SC 16ML11TK6 ⁽¹⁾		S16SCML11	
RMDXK10D28K		Coaxial contacts	M10S-1J
RCDXK1D28K			M10S-1J
RM/RC DX60xxD28K	M10S-1J		
RM/RC DXK10D28 + york090	M10S-1J		
RM/RC DX60xxD28	M10S-1J		

(1): example of plating, for other plating see UTS catalog page 143



Contacts

10A 500V
per UL 1977

#16	Contact type	AWG	Part number		Max wire Ø	Max insulator Ø	
			Male	Female			
Crimp	Machined	30-28	RM28M1K ⁽¹⁾	RC28M1K ⁽¹⁾	0.55	1.1	
		26-24	RM24M9K ⁽¹⁾	RC24M9K ⁽¹⁾	0.8	1.6	
		22-20	RM20M13K ⁽¹⁾	RC20M13K ⁽¹⁾	1.18	1.8	
		22-20	RM20M12K ⁽¹⁾	RC20M12K ⁽¹⁾	1.18	2.2	
		20-16	RM16M23K ⁽¹⁾	RC16M23K ⁽¹⁾	1.8	3.2	
		16-14	RM14M50K ⁽¹⁾	RC14M50K ⁽¹⁾	2.05	3.2	
		16-14	RM14M30K ⁽¹⁾	RC14M30K ⁽¹⁾	2.28	3.2	
	stamped & formed reeled contacts	26-24	SM24M1TK6 ⁽¹⁾⁽²⁾	SC24M1TK6 ⁽¹⁾⁽²⁾	0.89-1.28	-	
		22-20	SM20M1TK6 ⁽¹⁾⁽²⁾	SC20M1TK6 ⁽¹⁾⁽²⁾	1.17-2.08	-	
		18-16	SM16M1TK6 ⁽¹⁾⁽²⁾	SC16M1TK6 ⁽¹⁾⁽²⁾	3.0	-	
		18-16	SM16M11TK6 ⁽¹⁾⁽²⁾	SC16M11TK6 ⁽¹⁾⁽²⁾	2.0-3.0	-	
		14	SM14M1TK6 ⁽¹⁾⁽²⁾	SC14M1TK6 ⁽¹⁾⁽²⁾	3.2	-	
	PCB	Machined ⁽³⁾	-	RM20M12E8K ⁽¹⁾	RC20M12E84K ⁽¹⁾	-	-
	Coaxial	cable Multipiece	-	RMDXK10D28	RCDXK1D28	-	-
Cable Monocrimp		-	RMDX60xxD28	RCDX60xxD28	-	-	
Twisted pair Multipiece		-	RMDXK10D28 + york090	RCDXK1D28 + york090	-	-	
Twisted pair Monocrimp		-	RMDX60xxD28	RCDX60xxD28	-	-	
Fiber optic	POF contacts Plastic optical fibre	-	RMPDF1000	RCPOF1000B	-	-	

(1): Example of plating, for other plating see UTS catalog page 147
(2): Loose piece contact available if putting L. Example: SM20ML1-TK6
(3): For dimensions see UTS catalog page 152

Click on a part number to buy online

Electrical characteristics

UL
10A 500V UL94 V-0

CSA
7A 500V UL94 V-0

IEC
16A 300V 4kV 3
Temperature elevation: 50°C

UTS 147 derating curves

