

**SANYO**

No.2933

**LM8569**

PMOS LSI

Digital Alarm Clock

**Applications**

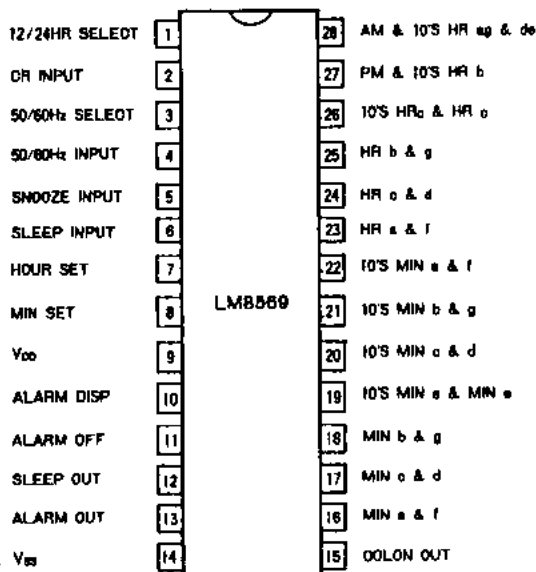
- Alarm clock
- Clock radio

**Functions**

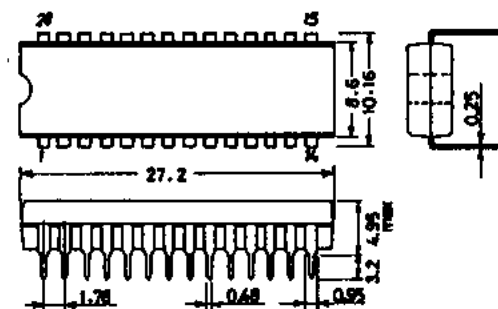
- Current time display
- Alarm with snooze function
- Sleep timer (max. 59 minutes or 1 hour 59 minutes)

**Features**

- ① Single-chip P-channel ED MOS LSI
- ② LED direct drive by time-sharing (duplex)
- ③ Wide operating voltage range
- ④ Alarm on a 24-hour basis
- ⑤ Two selections of time format : AM/PM 12-hour basis and 24-hour basis
- ⑥ On-chip CR oscillator for battery backup
- ⑦ 50Hz or 60Hz is usable as the reference frequency
- ⑧ Automatic fast setting of "hours", "minutes"
- ⑨ Sleep timer (max. 59 minutes or 1 hour 59 minutes)
- ⑩ Repeatedly usable snooze function
- ⑪ Power failure indicator
- ⑫ 900Hz output for alarm tone

**Pin Assignment**

The application circuit diagrams and circuit constants herein are included as an example and provide no guarantee for designing equipment to be mass-produced. The information herein is believed to be accurate and reliable. However, no responsibility is assumed by SANYO for its use; nor for any infringements of patents or other rights of third parties which may result from its use.

**Case Outline 3029A-D28SIC**  
(unit : mm)

SANYO: DIP28S

Specifications and information herein are subject to change without notice.

**SANYO Electric Co., Ltd. Semiconductor Overseas Marketing Div.**  
 Katsushika Bldg. 18-6, 2-chome, Yotsukashi, Bunkyo-ku, TOKYO 113, JAPAN

D208TA,TS No.2933-1/7

**Operation Description**

- 50/60Hz input : The on-chip Schmitt trigger circuit allows a simple RC filter at the input to remove possible line voltage transients. An internal pull-up resistor is provided.
- CR input : When AC power-down occurs, the time counter enters the "hold" mode and the on-chip clock oscillator starts operating immediately. If there is no input at "50/60Hz input" during 3-clock period, this oscillator controls the time counter advance instead of "50/60Hz input". The values of CR determine the frequency of the on-chip clock oscillator. All segment outputs are off during backup oscillator operation.  
(Note) If the backup OSC is used at the power-down mode, "50/60Hz input" must be open or at V<sub>SS</sub> level.
- 50/60 select input : Connecting "50/60Hz select" to V<sub>SS</sub> enables 50Hz operation. For 60Hz operation, "50/60Hz select" is left unconnected : Pull-down to V<sub>DD</sub> is provided by the internal pull-down resistor.
- Display mode select input (alarm display/sleep display) : The internal pull-down resistor allows the use of 2 SPST (single-pole single-throw) switches to select 4 display modes listed in Table 1.

Table 1. Display Mode

| Select Input    |                 | Display Mode    | Digit No.1       | Digit No.2 | Digit No.3  | Digit No.4 |
|-----------------|-----------------|-----------------|------------------|------------|-------------|------------|
| Alarm           | Sleep           |                 |                  |            |             |            |
| NC              | NC              | Time display    | 10's hour, AM/PM | Hour       | 10's minute | Minute     |
| V <sub>SS</sub> | NC              | Alarm display   | 10's hour, AM/PM | Hour       | 10's minute | Minute     |
| NC              | V <sub>SS</sub> | Sleep display   | Blanked          | Hour       | 10's minute | Minute     |
| V <sub>SS</sub> | V <sub>SS</sub> | Seconds display | Blanked          | Minute     | 10's second | Second     |

(Note) If V<sub>SS</sub> is applied to 2 inputs of "alarm display" and "sleep display" simultaneously, the seconds display mode is entered.

- Time setting input : Two setting inputs for 'hours' and 'minutes' are provided. The application of V<sub>SS</sub> causes the time setting in Table 2 to occur. An internal pull-down resistor each is provided.

Table 2. Setting Contents

| Display Mode               | Set Input   | Functions   |
|----------------------------|-------------|---|
| Time                       | HOUR        | 'Hours' are incremented +1 immediately and advance at a 2Hz rate 1/4 to 3/4 second later.                                   |
|                            | MIN         | 'Minutes' are incremented +1 immediately and advance at a 2Hz rate 1/4 to 3/4 second later.                                 |
|                            | BOTH        | 'Seconds' are reset.<br>Both operations shown above are performed.  |
| Seconds<br>(Alarm & Sleep) | HOUR (Note) | 'Seconds' are cleared to [00].  |
|                            | MIN         | "Hold" mode.  |
|                            | BOTH*       | 'Hours' and 'Minutes' are reset to [0:00] (24-hour basis) or [12:00] (12-hour basis).                                       |
| Alarm                      | HOUR        | 'Hours' are incremented +1 immediately and advance at a 2Hz rate 1/4 to 3/4 second later.                                   |
|                            | MIN         | 'Minutes' are incremented +1 immediately and advance at a 2Hz rate 1/4 to 3/4 second later.                                 |
|                            | BOTH        | 'Hours' and 'Minutes' are reset to [0:00] (24-hour basis) or [12:00] (12-hour basis).                                       |
| Sleep                      | —           | The moment V <sub>DD</sub> is applied to "sleep display", the sleep counter is set to [0:59].                               |
|                            | HOUR        | The moment V <sub>DD</sub> is applied to "sleep display" and "hour set" simultaneously, the sleep counter is set to [1:59]. |
|                            | MIN         | The sleep counter counts down at a 2Hz rate.  |
|                            | BOTH        | The sleep counter counts down at a 2Hz rate.  |

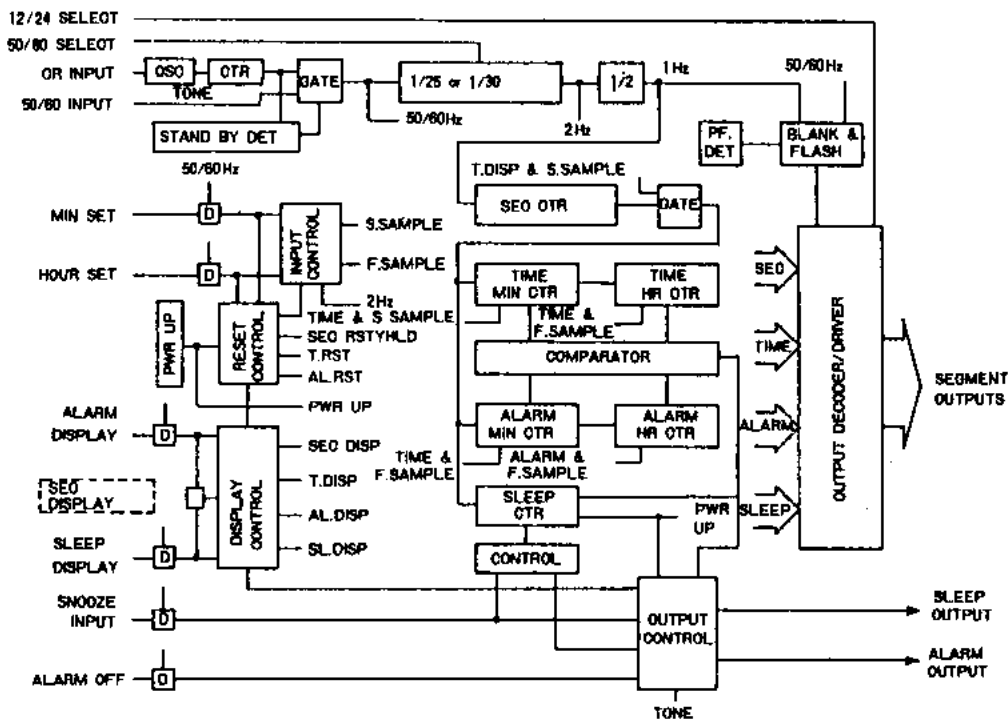
\* Once the reset mode or hold mode is entered, other function inputs are locked until both "hour set" input and "minute set" input are released.

(Note) When "seconds" display is at 30 to 59, "seconds" are reset to [00] and a carry occurs to increment "minutes" +1.

# LM8569

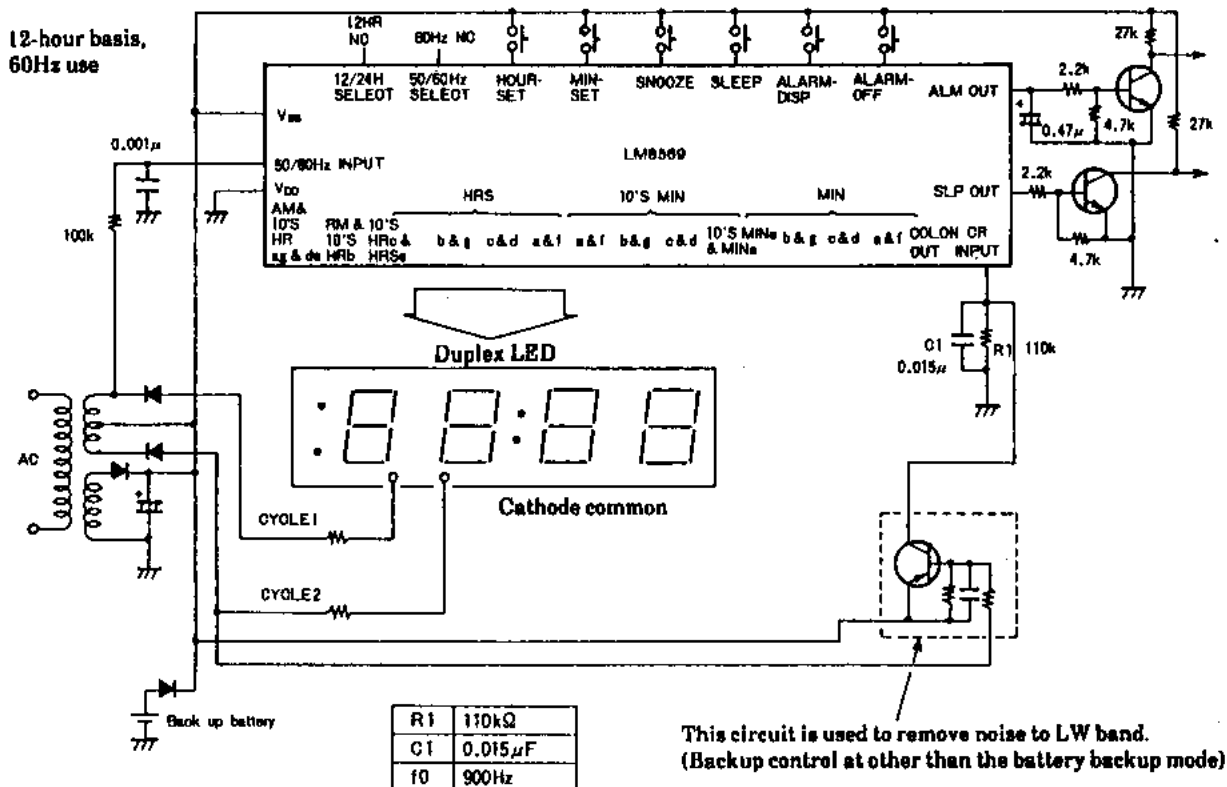
- 12/24-hour select input  
 : Leaving this pin unconnected ( $V_{DD}$ ) causes the 12-hour basis to be selected; connecting this pin to  $V_{SS}$  causes the 24-hour basis to be selected. An internal pull-down resistor is provided.
- Power failure indication  
 : If the power supply voltage drops and is applied again, all the on-segments flash and the power failure indication mode is entered.  
 The power failure indication mode is released by applying  $V_{SS}$  to "hour set" or "minute set".
- Alarm operation and alarm output  
 : When the alarm set time is reached, the alarm signal is delivered. This signal continues to be delivered for 1 hour 59 minutes unless reset by "alarm off" or "snooze input". This signal is provided for the tone-signal of 900Hz with 50% duty of 2Hz gated. A simple LPF can be used to turn this alarm signal into DC signal as required.
- Snooze input  
 : By momentarily connecting this pin to  $V_{SS}$  at the alarm on-state, the alarm output is inhibited for 8 to 9 minutes, after which the alarm signal is delivered again. The snooze function can be used repeatedly for 1 hour 59 minutes. An internal pull-down resistor is provided. By connecting "snooze input" to  $V_{SS}$  at the alarm off-state, the sleep timer counter is reset to [0:00].  
 (The sleep timer is reset with one touch.)
- Alarm off input  
 : Connecting this input pin to  $V_{SS}$  inhibits the alarm output momentarily. An internal pull-down resistor is provided.
- Sleep timer and sleep output  
 : The sleep output can be used to keep the radio turned on for any period of time up to 59 minutes or 1 hour 59 minutes. Table 2 shows how to select the period (59 minutes or 1 hour 59 minutes). This sleep timer uses a down counter. When the counter contents reach [00], the output stops being delivered, turning off the radio. By connecting "snooze input" to  $V_{SS}$  at the sleep output on-state, the sleep output is inhibited.

## Block Diagram

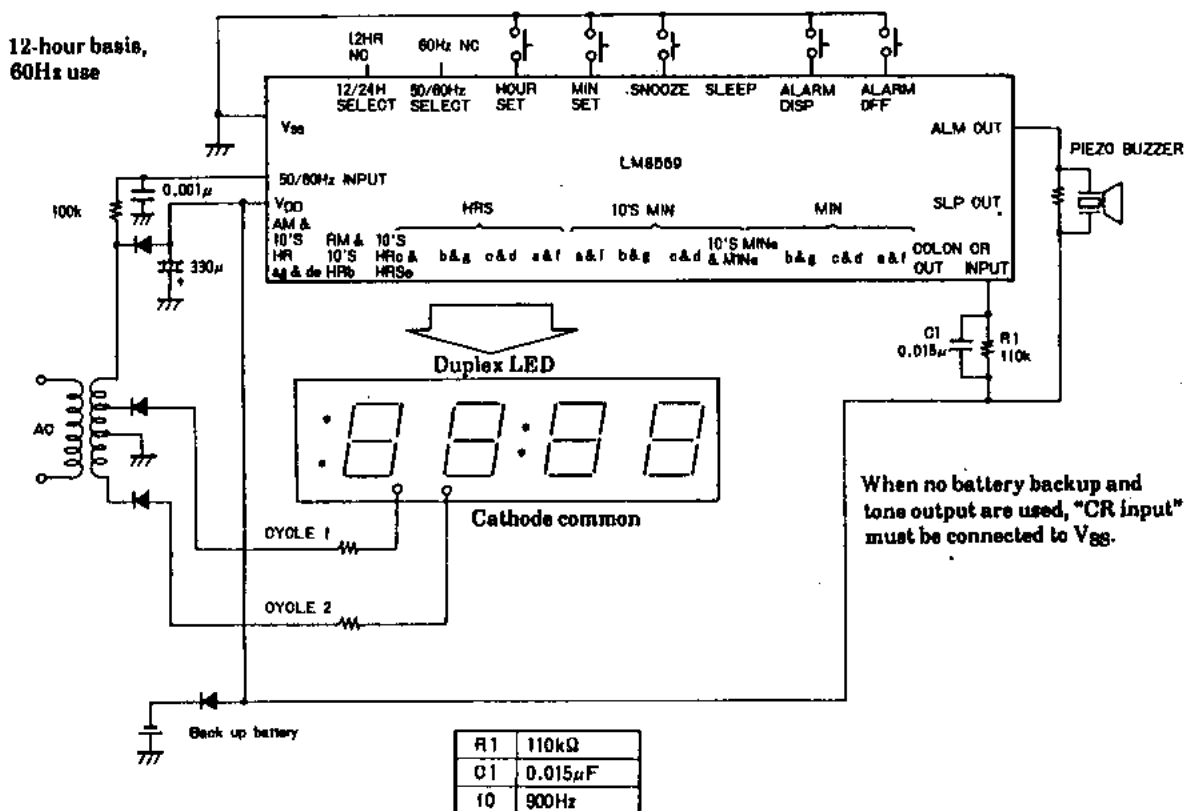


# LM8569

## Sample Application Circuit for Clock Radio Use (+ power supply)



## Sample Application Circuit for Clock Use (- power supply)



# LM8569

## LB8569B

### Absolute Maximum Ratings at $T_a = 25^\circ\text{C}$ , $V_{SS} = 0\text{V}$

|                             |              |                          |               | unit             |
|-----------------------------|--------------|--------------------------|---------------|------------------|
| Maximum Supply Voltage      | $V_{DD}$ max |                          | -17.0 to +0.3 | V                |
| Input Voltage (1)           | $V_{IN}$ (1) | 50/60Hz INPUT            | -17.0 to +0.3 | V                |
| Input Voltage (2)           | $V_{IN}$ (2) | Other than 50/60Hz INPUT | -17.0 to +0.3 | V                |
| Output Voltage              | $V_{OUT}$    |                          | -17.0 to +0.3 | V                |
| Input Clamp Current         | $I_{IN}$     | 50/60Hz INPUT            | -0.4 to +0.4  | mA               |
| Allowable Power Dissipation | $P_d$ max    | $T_a = 70^\circ\text{C}$ | 0.7           | W                |
| Operating Temperature       | $T_{opg}$    |                          | -30 to +70    | $^\circ\text{C}$ |
| Storage Temperature         | $T_{stg}$    |                          | -55 to +125   | $^\circ\text{C}$ |

### Allowable Operating Conditions at $T_a = 25^\circ\text{C}$ , $V_{SS} = 0\text{V}$

|                                      |                      |  | min   | typ                | max          | unit |
|--------------------------------------|----------------------|--|-------|--------------------|--------------|------|
| Supply Voltage                       | $V_{DD}$             |  | -14.0 |                    | -6.5         | V    |
| Input 'H'-Level Voltage (1)          | $V_{IH}$ (1)         | 50/60Hz INPUT                                      | -1.0  |                    |              | V    |
| Input 'L'-Level Voltage (1)          | $V_{IL}$ (1)         | 50/60Hz INPUT, $V_{DD} \leq -8\text{V}$            |       |                    | $V_{DD} + 2$ | V    |
|                                      |                      | 50/60Hz INPUT, $V_{DD} > -8\text{V}$               |       |                    | $V_{DD} + 1$ | V    |
| Input 'H'-Level Voltage (2)          | $V_{IH}$ (2)         | Other than 50/60Hz INPUT, $V_{DD} \leq -8\text{V}$ | -1.5  |                    |              | V    |
|                                      |                      | Other than 50/60Hz INPUT, $V_{DD} > -8\text{V}$    | -1.0  |                    |              | V    |
| Input 'L'-Level Voltage (2)          | $V_{IL}$ (2)         | Other than 50/60Hz INPUT, $V_{DD} \leq -8\text{V}$ |       |                    | $V_{DD} + 2$ | V    |
|                                      |                      | Other than 50/60Hz INPUT, $V_{DD} > -8\text{V}$    |       |                    | $V_{DD} + 1$ | V    |
| (Input Voltage on 50/60Hz INPUT Pin) | $V_{AC-IN}$ (Note 1) | Referenced to $V_{SS}$ (Note 2)                    |       | $V_{LED}$ (Note 1) |              | V    |

### Electrical Characteristics at $T_a = 25^\circ\text{C}$ , $V_{DD} = -12\text{V}$

|                                    |              |  | min  | typ  | max | unit          |
|------------------------------------|--------------|--|------|------|-----|---------------|
| Input 'H'-Level Current (1)        | $I_{IH}$ (1) | 50/60Hz INPUT, $V_{IN} = V_{SS}$                                 |      |      | 2   | $\mu\text{A}$ |
| Input 'L'-Level Current (1)        | $I_{IL}$ (1) | 50/60Hz INPUT, $V_{IN} = V_{SS}$                                 |      |      | 10  | $\mu\text{A}$ |
| Input 'H'-Level Current (2)        | $I_{IH}$ (2) | Input pins other than 50/60Hz INPUT, $V_{IN} = V_{DD}$           |      |      | 20  | $\mu\text{A}$ |
| Input 'L'-Level Current (2)        | $I_{IL}$ (2) | Input pins other than 50/60Hz INPUT, $V_{IN} = V_{DD}$           |      |      | 2   | $\mu\text{A}$ |
| Output 'H'-Level Current (1)       | $I_{OH}$ (1) | Alarm output, sleep output, $V_{OH} = V_{SS} = -1\text{V}$       | 5    |      |     | mA            |
| Output Leakage Current (1)         | $I_{OF}$ (1) | Alarm output, sleep output, $V_{OUT} = V_{DD}$                   |      |      | 10  | $\mu\text{A}$ |
| Output 'H'-Level Current (2)       | $I_{OH}$ (2) | 10's HR ag & de (24Hmode), $V_{OUT} = V_{SS} = -1\text{V}$       | 36   |      |     | mA            |
| Output Leakage Current (2)         | $I_{OF}$ (2) | 10's HR ag & de (24Hmode), $V_{OUT} = V_{DD}$                    |      |      | 20  | $\mu\text{A}$ |
| Output 'H'-Level Current (3)       | $I_{OH}$ (3) | Segment outputs other than above, $V_{OUT} = V_{SS} - 1\text{V}$ | 18   |      |     | mA            |
| Output Leakage Current (3)         | $I_{OF}$ (3) | Segment outputs other than above, $V_{OUT} = V_{DD}$             |      |      | 20  | $\mu\text{A}$ |
| Power Failure Detect Voltage       | $V_{DD}$     |  | -6.5 | -5.0 |     | V             |
| Current Dissipation                | $I_{CC}$     | Output: Off, input with pull-down resistor: Open                 |      | 5    | 7   | mA            |
| Stability of Oscillator for Backup | $F_S$        | Typical value, 900Hz, $V_{DD} = -9\text{V} \pm 10\%$             | -10  |      | 10  | %             |
| Accuracy of Oscillator for Backup  | $F_A$        | Typical value, 900Hz, $V_{DD} = -9\text{V}$                      | -10  |      | 10  | %             |

# LM8569

## LM8569N

### Absolute Maximum Ratings at $T_a = 25^\circ\text{C}, V_{SS} = 0\text{V}$

unit

|                             |              |                          |               |                  |
|-----------------------------|--------------|--------------------------|---------------|------------------|
| Maximum Supply Voltage      | $V_{DD}$ max |                          | -15.0 to +0.3 | V                |
| Input Voltage (1)           | $V_{IN}$ (1) | 50/60Hz INPUT            | -15.0 to +0.3 | V                |
| Input Voltage (2)           | $V_{IN}$ (2) | Other than 50/60Hz INPUT | -15.0 to +0.3 | V                |
| Output Voltage              | $V_{OUT}$    |                          | -15.0 to +0.3 | V                |
| Input Clamp Current         | $I_{IN}$     | 50/60Hz INPUT            | -0.4 to +0.4  | mA               |
| Allowable Power Dissipation | $P_d$ max    | $T_a = 70^\circ\text{C}$ | 0.7           | W                |
| Operating Temperature       | $T_{opg}$    |                          | -30 to +70    | $^\circ\text{C}$ |
| Storage Temperature         | $T_{stg}$    |                          | -55 to +125   | $^\circ\text{C}$ |

### Allowable Operating Conditions at $T_a = 25^\circ\text{C}, V_{SS} = 0\text{V}$

min    typ    max    unit

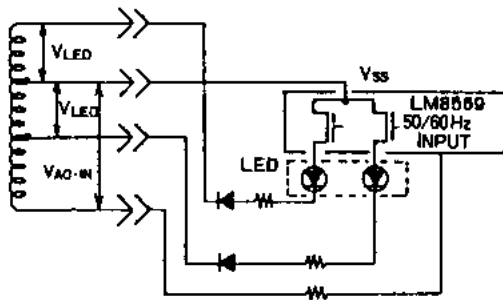
|                                    |                      |                                 |       |                    |   |
|------------------------------------|----------------------|---------------------------------|-------|--------------------|---|
| Supply Voltage                     | $V_{DD}$             |                                 | -14.0 | -7.5               | V |
| Input 'H'-Level Voltage (1)        | $V_{IH}$ (1)         | 50/60Hz INPUT                   | -1.0  |                    | V |
| Input 'L'-Level Voltage (1)        | $V_{IL}$ (1)         | 50/60Hz INPUT                   |       | $V_{DD} + 2$       | V |
| Input 'H'-Level Voltage (2)        | $V_{IH}$ (2)         | Other than 50/60Hz INPUT        | -1.5  |                    | V |
| Input 'L'-Level Voltage (2)        | $V_{IL}$ (2)         | Other than 50/60Hz INPUT        |       | $V_{DD} + 2$       | V |
| Input Voltage on 50/60Hz INPUT Pin | $V_{AC-IN}$ (Note 1) | Referenced to $V_{SS}$ (Note 2) |       | $V_{LED}$ (Note 1) | V |

### Electrical Characteristics at $T_a = 25^\circ\text{C}, V_{DD} = -12\text{V}$

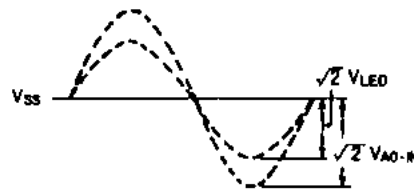
min    typ    max    unit

|                                    |              |  |      |      |               |
|------------------------------------|--------------|--|------|------|---------------|
| Input 'H'-Level Current (1)        | $I_{IH}$ (1) | 50/60Hz INPUT, $V_{IN} = V_{SS}$                                 |      | 10   | $\mu\text{A}$ |
| Input 'L'-Level Current (1)        | $I_{IL}$ (1) | 50/60Hz INPUT, $V_{IN} = V_{SS}$                                 |      | 10   | $\mu\text{A}$ |
| Input 'H'-Level Current (2)        | $I_{IH}$ (2) | Input pins other than 50/60Hz INPUT, $V_{IN} = V_{DD}$           |      | 20   | $\mu\text{A}$ |
| Input 'L'-Level Current (2)        | $I_{IL}$ (2) | Input pins other than 50/60Hz INPUT, $V_{IN} = V_{DD}$           |      | 10   | $\mu\text{A}$ |
| Output 'H'-Level Current (1)       | $I_{OH}$ (1) | Alarm output, sleep output, $V_{OH} = V_{SS} = -1\text{V}$       | 5    |      | mA            |
| Output Leakage Current (1)         | $I_{OF}$ (1) | Alarm output, sleep output, $V_{OUT} = V_{DD}$                   |      | 10   | $\mu\text{A}$ |
| Output 'H'-Level Current (2)       | $I_{OH}$ (2) | 10's HR ag & de (24Hmode), $V_{OUT} = V_{SS} = -1\text{V}$       | 36   |      | mA            |
| Output Leakage Current (2)         | $I_{OF}$ (2) | 10's HR ag & de (24Hmode), $V_{OUT} = V_{DD}$                    |      | 20   | $\mu\text{A}$ |
| Output 'H'-Level Current (3)       | $I_{OH}$ (3) | Segment outputs other than above, $V_{OUT} = V_{SS} - 1\text{V}$ | 18   |      | mA            |
| Output Leakage Current (3)         | $I_{OF}$ (3) | Segment outputs other than above, $V_{OUT} = V_{DD}$             |      | 20   | $\mu\text{A}$ |
| Power Failure Detect Voltage       | $V_{DD}$     |  | -7.5 | -5.0 | V             |
| Current Dissipation                | $I_{CC}$     | Output: Off, input with pull-down resistor: Open                 |      | 5    | 7 mA          |
| Stability of Oscillator for Backup | $F_S$        | Typical value, 900Hz, $V_{DD} = -9\text{V} \pm 10\%$             | -10  |      | 10 %          |
| Accuracy of Oscillator for Backup  | $F_A$        | Typical value, 900Hz, $V_{DD} = -9\text{V}$                      | -10  |      | 10 %          |

• (Note 1)



(Note 2)



[Fig.2]

$V_{AC-IN}$  ..... Input voltage (average) on 50/60Hz INPUT pin  
 $V_{LED}$  ..... Supply voltage (average) for LED  
 These are the values at no load mode.

[Fig.1]