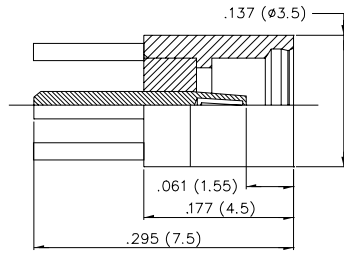


MMCX Series

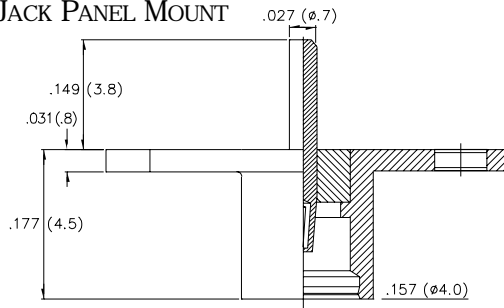
MMX01

MMCX STRAIGHT JACK PCB MOUNT



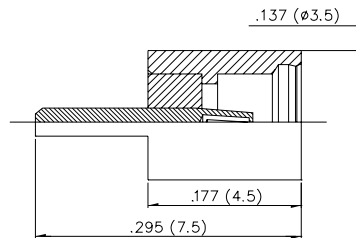
MMX02

MMCX STRAIGHT JACK PANEL MOUNT



MMX03

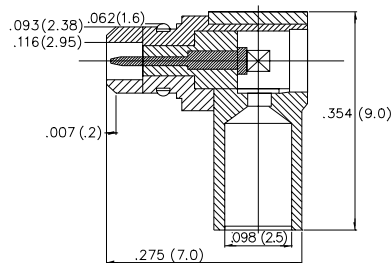
MMCX STRAIGHT JACK PCB EDGE MOUNT



MMX04

RG178

MMCX RIGHT ANGLE PLUG



MMX05

RG174 RG188 RG316

MMCX STRAIGHT PLUG

