

# Inverter Transformer For LCD TV

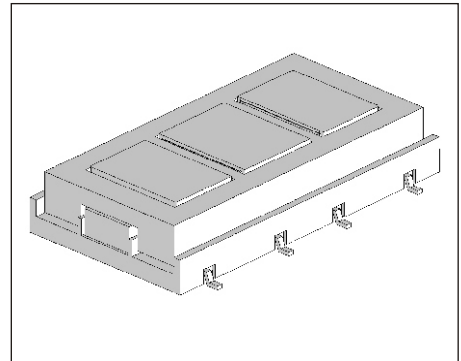
## UI1734 Type

### Features:

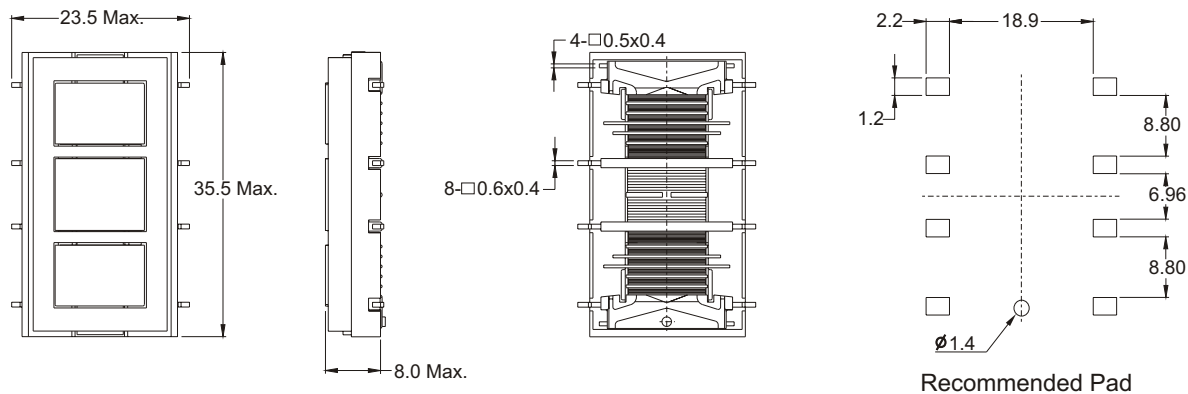
- High leakage inductance type ( $L_k$ : 800mH Max.) designed for IC controlled type circuit.
- Low profile (8.0mm Max.).

### Application:

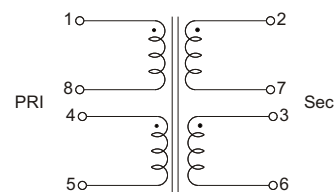
- Large LCD TV
- LCD Monitor
- 2-Output type, capable of driving 2 pcs CCFL



### Mechanical Dimension:



### Schematic :



### Electrical Characteristics:

PART NO.	INPUT VOLTAGE (Vdc)	SUITABLE FREQUENCY (kHz)	Max. LAMP WATTAGE (W)	Max. OPEN VOLTAGE (Vrms)
UI16.8/34.3-1	24	50	12	2300
UI16.8/34.3-2	24	60	12	2800
UI16.8/34.3-3	24	70	12	3100



DELTA ELECTRONICS, INC.

(TAOYUAN PLANT CPBG) 252, SAN YING ROAD, KUEISAN INDUSTRIAL ZONE, TAOYUAN SHIEN, 333, TAIWAN, R.O.C.

TEL: 886-3-3591968; FAX: 886-3-3591991

<http://www.deltawww.com>