

Datasheet of SAW Duplexer 1612 Band20 Unbalanced

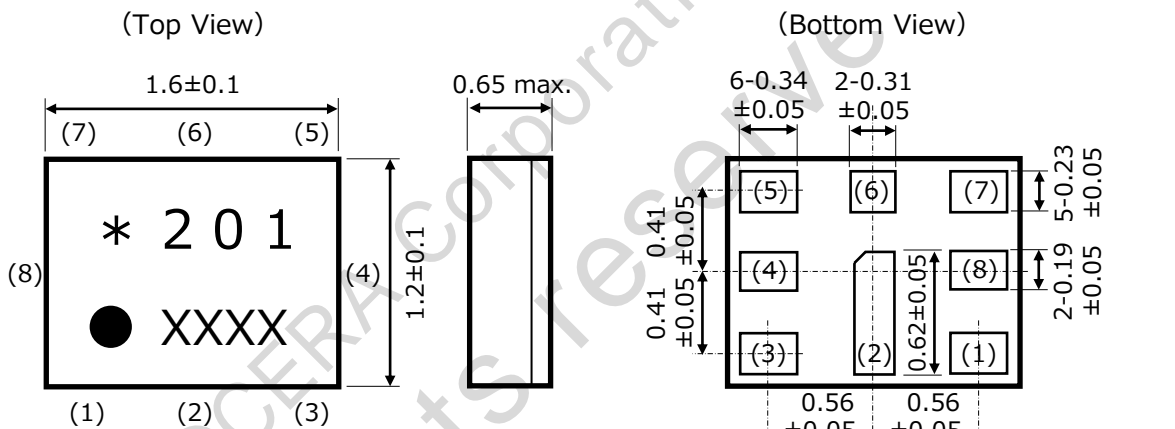
KYOCERA Part No. : SD16-0847R8UUA1

KYOCERA Corporation
All rights reserved

Rating

Items	Rating	Unit	Note
Operating Temperature Range	-20 to +85	deg.C	
Storage Temperature Range	-40 to +85	deg.C	
Max Input Power (Tx port)	+31	dBm	5,000hours, Ta=50deg.C, CW
	+30	dBm	5,000hours, Ta=50deg.C, DFT-s-OFDM
	+28.5	dBm	5,000hours, Ta=50deg.C, CP-OFDM
Tx Port Nominal Impedance	50+3.6nH	ohm	Unbalance
Ant. Port Nominal Impedance	50//12nH	ohm	Unbalance
Rx Port Nominal Impedance	50+3.6nH	ohm	Unbalance

Dimensions

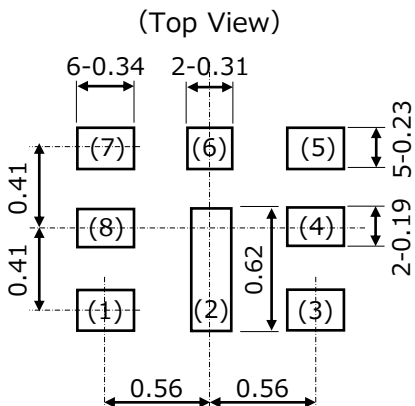


- * : Identification logo
- 201 : Identification no.
- : Index mark of pin 1
- XXXX : Production code

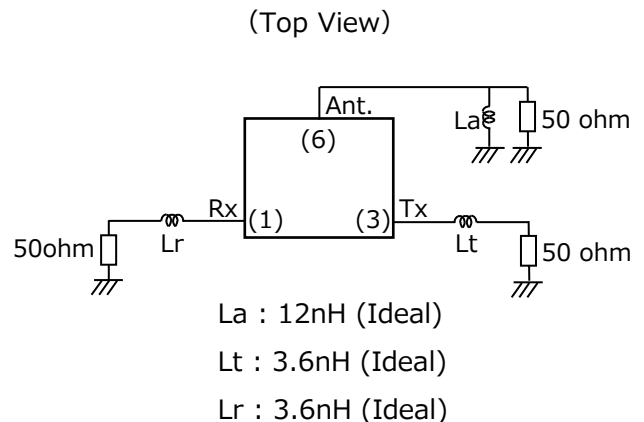
Unit : mm

Pin No.	Function
(1)	Rx
(3)	Tx
(6)	Ant.
Others	GND

Recommendable Land Pattern



Measurement Circuit

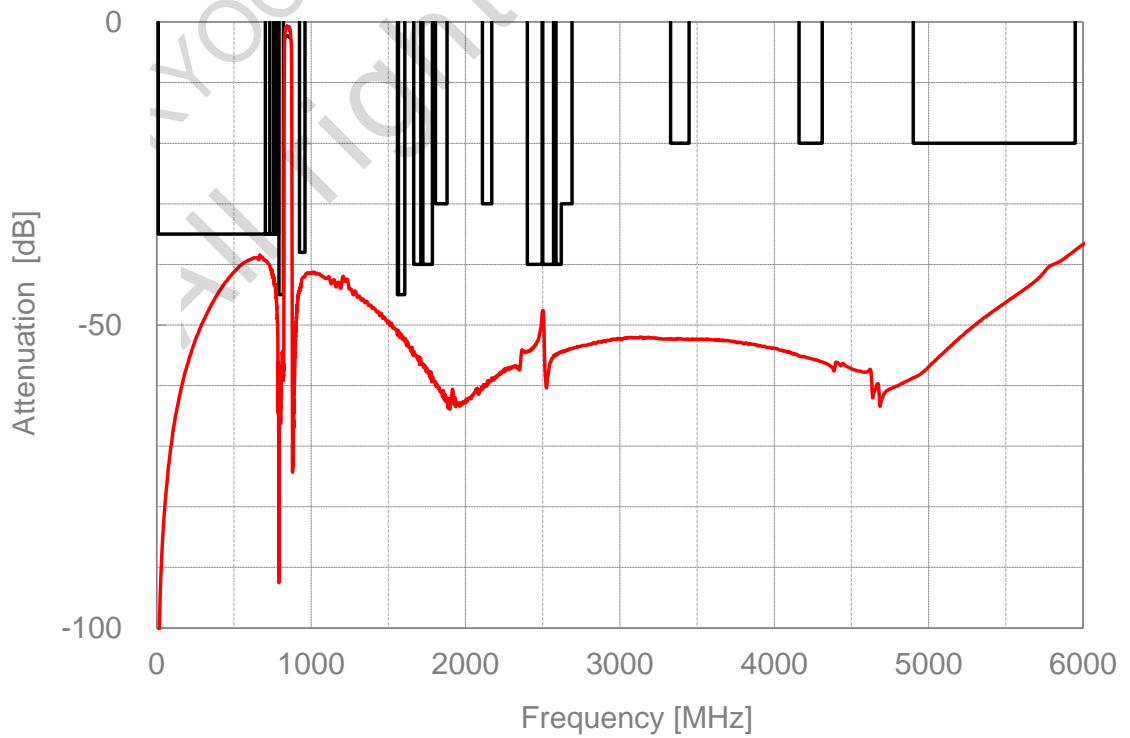
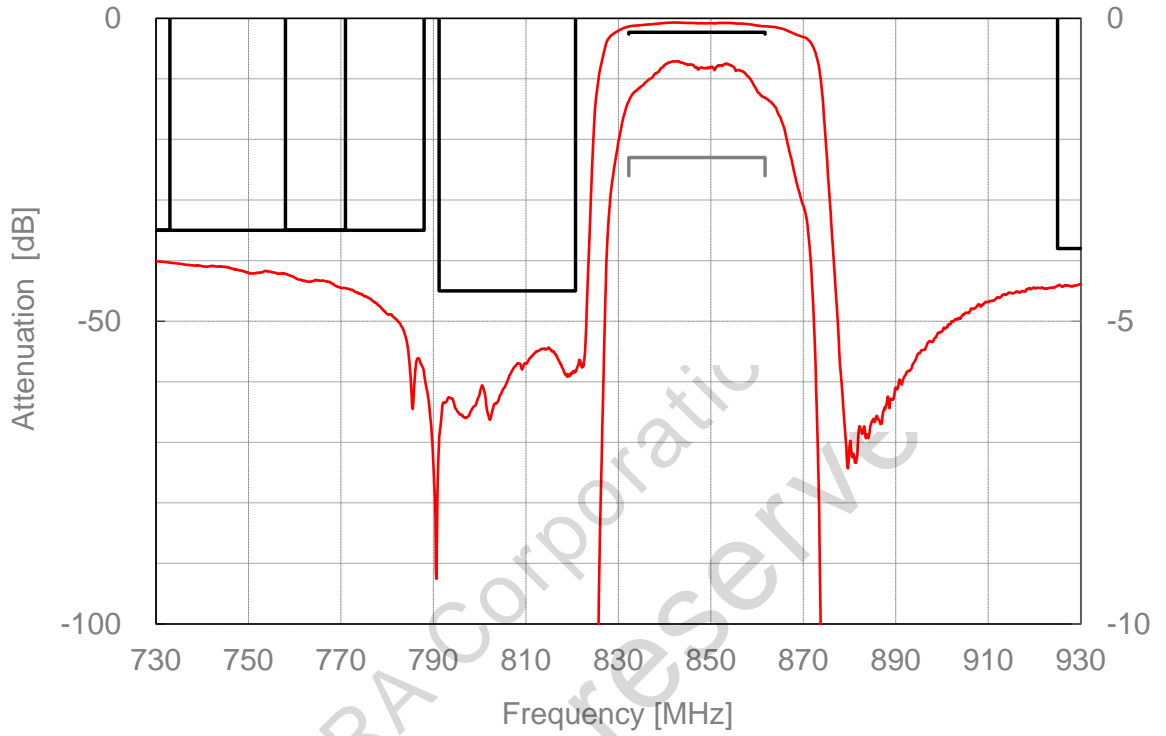


Electrical Characteristics

Items		Frequency (MHz)	Characteristics			Unit	Notes	
			Min.	Typ.	Max.			
Tx to Ant	Insertion Loss	832.25 - 861.75	-	1.4	2.3	dB		
	Ripple any20MHz	832.25 - 861.75	-	0.7	1.8	dB		
	VSWR	Tx	832.25 - 861.75	-	1.5	2.0		
		Ant	832.25 - 861.75	-	1.4	2.0		
	Attenuation	10 - 771	35	39	-	dB		
		703 - 733	35	39	-	dB		
		758 - 788	35	42	-	dB		
		791.25 - 820.75	45	54	-	dB		
		925 - 960	38	42	-	dB		
		1559 - 1563	45	52	-	dB		
		1565.42 - 1605.89	45	51	-	dB		
		1565 - 1606	45	51	-	dB		
		1664 - 1724	40	55	-	dB		
		1710 - 1785	40	56	-	dB		
		1805 - 1880	30	60	-	dB		
		2110 - 2170	30	58	-	dB		
		2400 - 2500	40	48	-	dB		
		2496 - 2586	40	47	-	dB		
		2570 - 2620	40	54	-	dB		
2620 - 2690		30	53	-	dB			
3328 - 3448	20	52	-	dB				
4160 - 4310	20	55	-	dB				
4900 - 5950	20	37	-	dB				
Ant to Rx	Insertion Loss	791.25 - 820.75	-	1.9	3.0	dB		
	Ripple any20MHz	791.25 - 820.75	-	1.1	2.4	dB		
	VSWR	Rx	791.25 - 820.75	-	1.4	2.2		
		Ant	791.25 - 820.75	-	1.5	2.3		
	Attenuation	10 - 760	35	44	-	dB		
		703 - 733	35	48	-	dB		
		832.25 - 861.75	50	54	-	dB		
		873 - 903	40	49	-	dB		
		880 - 915	40	48	-	dB		
		1710 - 1785	40	50	-	dB		
		1920 - 1980	40	48	-	dB		
		2373 - 2463	35	45	-	dB		
		2400 - 2500	35	46	-	dB		
2500 - 2570		35	46	-	dB			
4900 - 5950	20	34	-	dB				
Tx to Rx	Isolation	791.25 - 820.75	53	57	-	dB		
		832.25 - 861.75	54	58	-	dB		

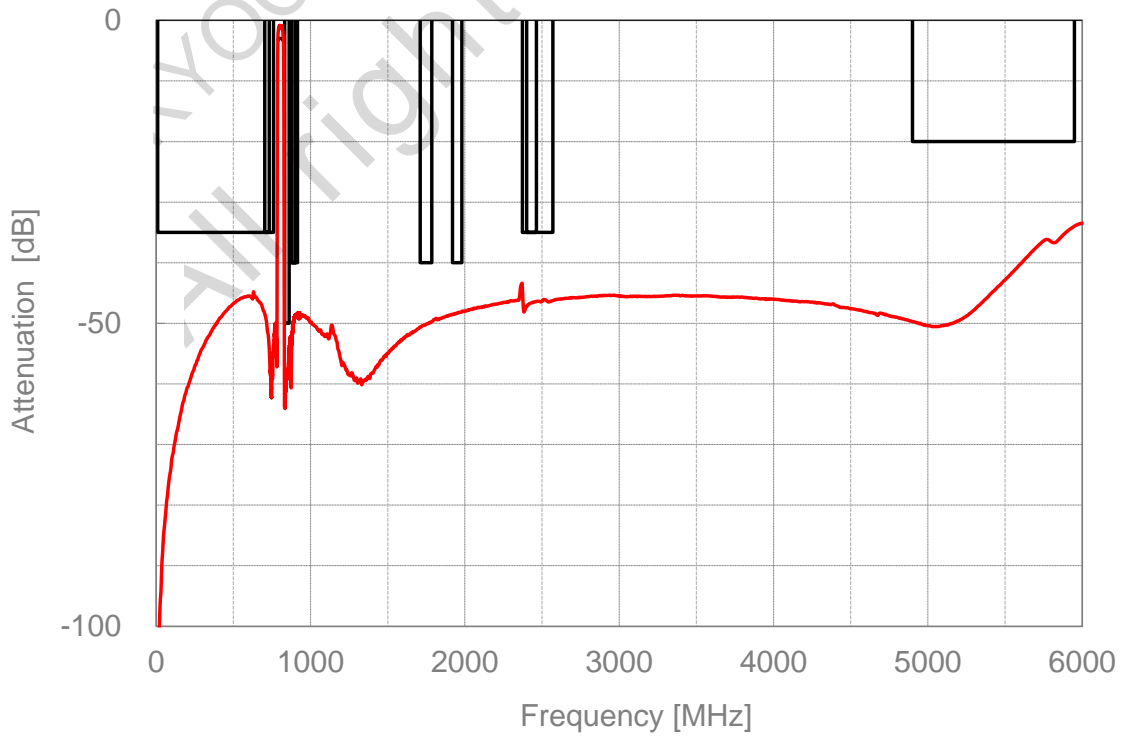
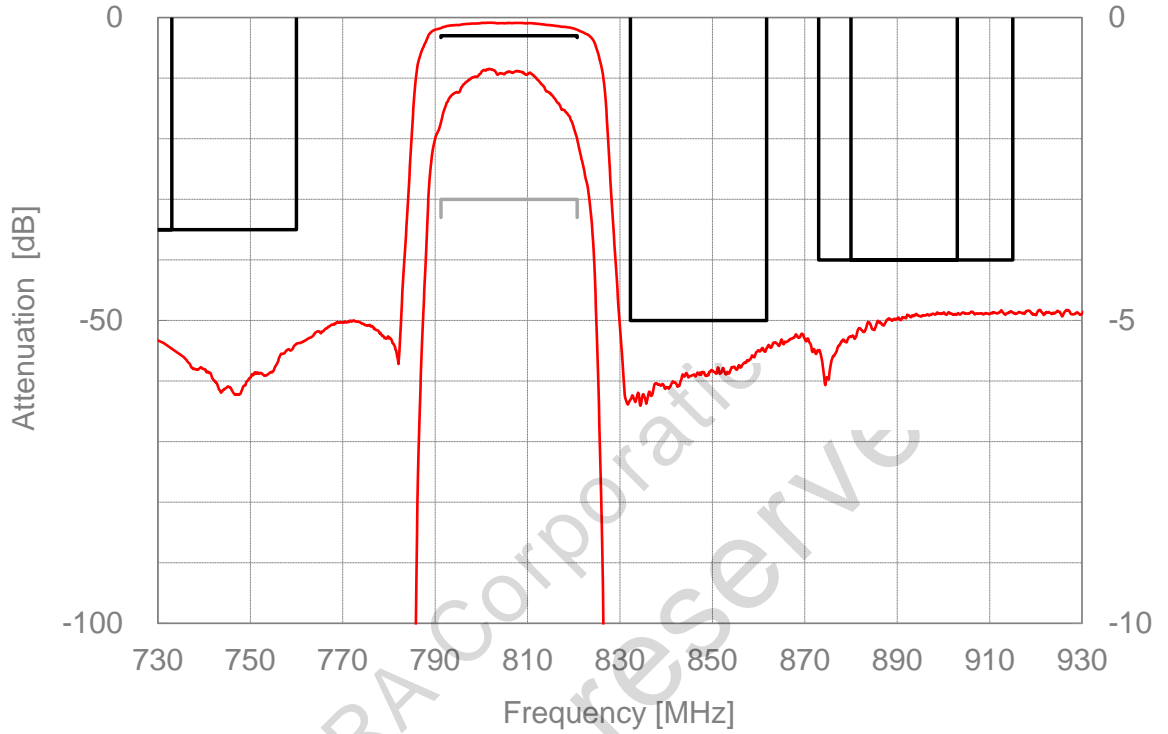
Electrical Characteristics

[Tx to Ant]



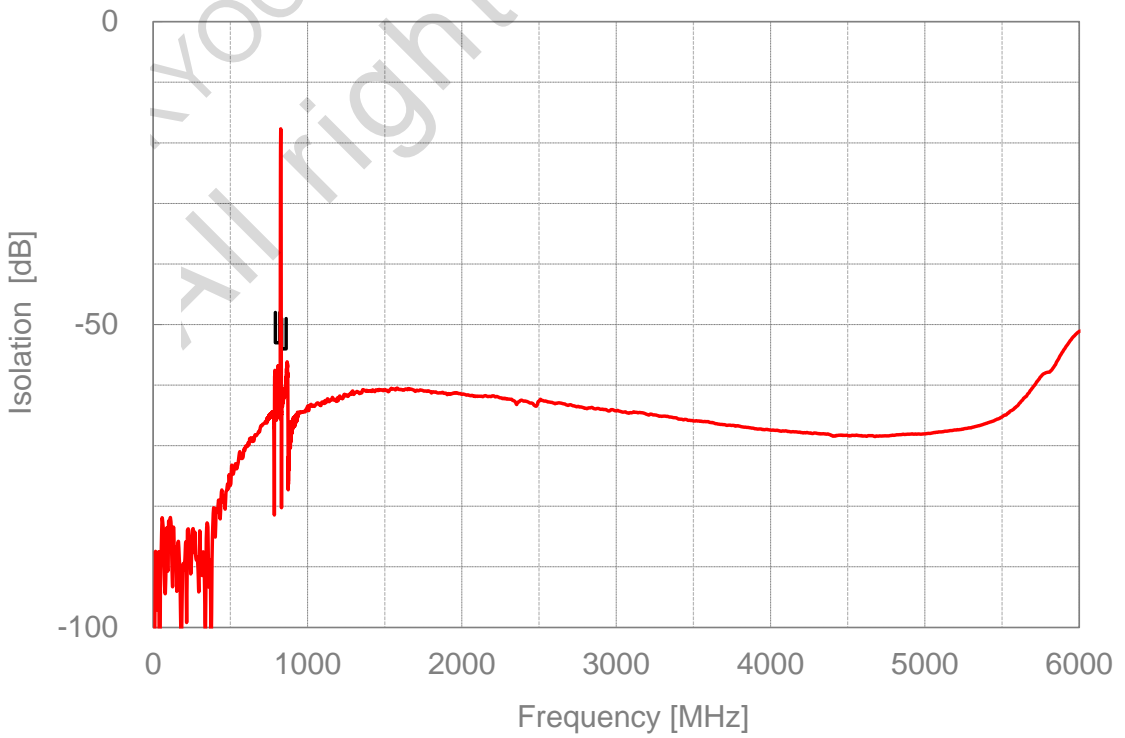
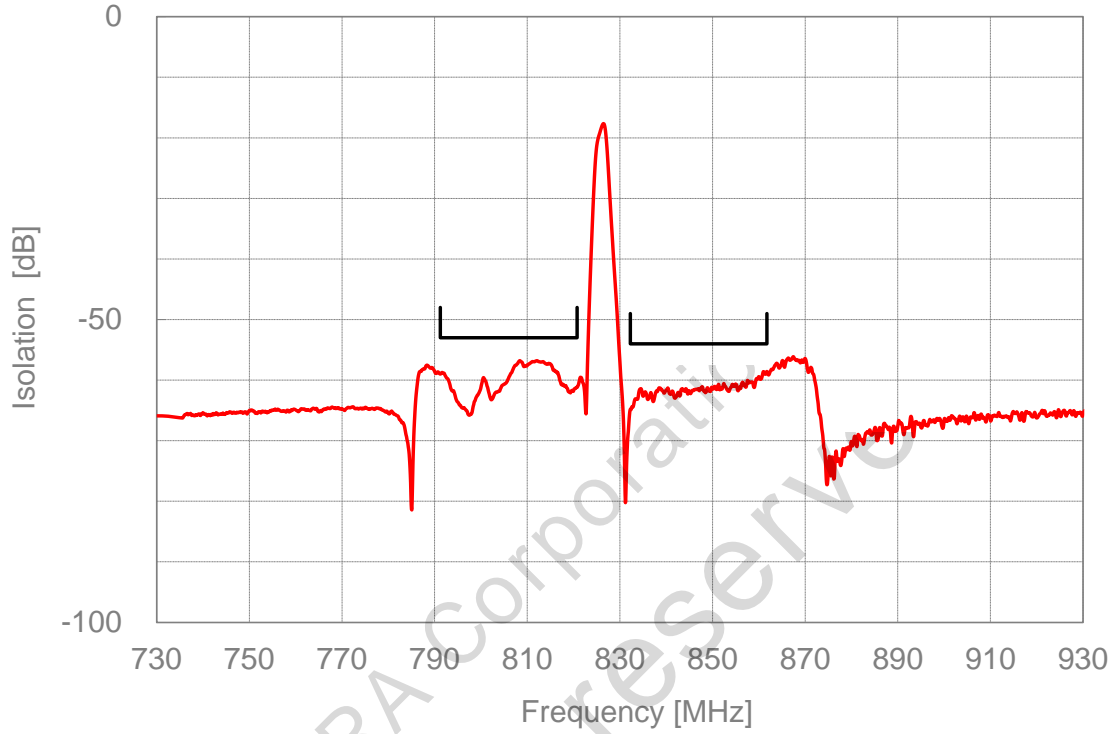
Electrical Characteristics

[Ant to Rx]

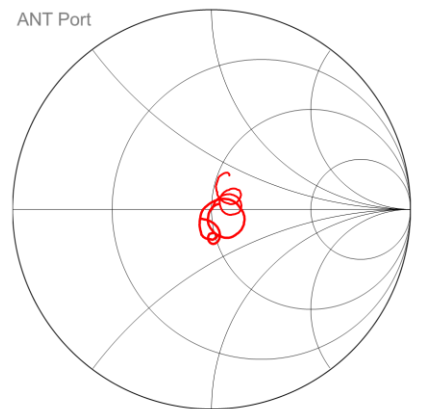
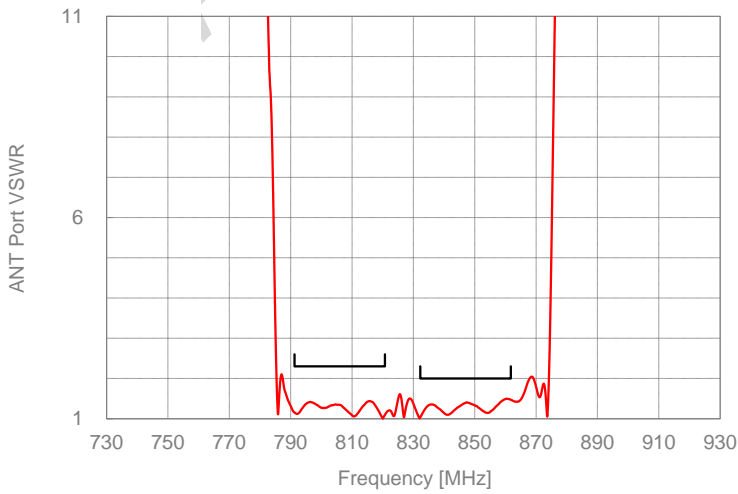
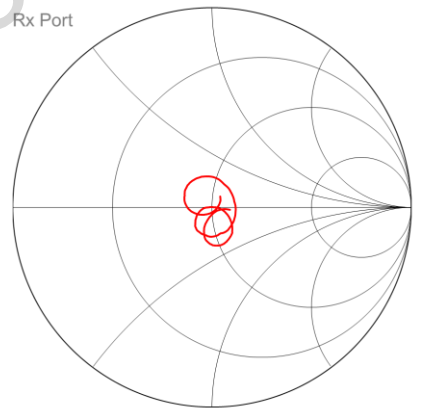
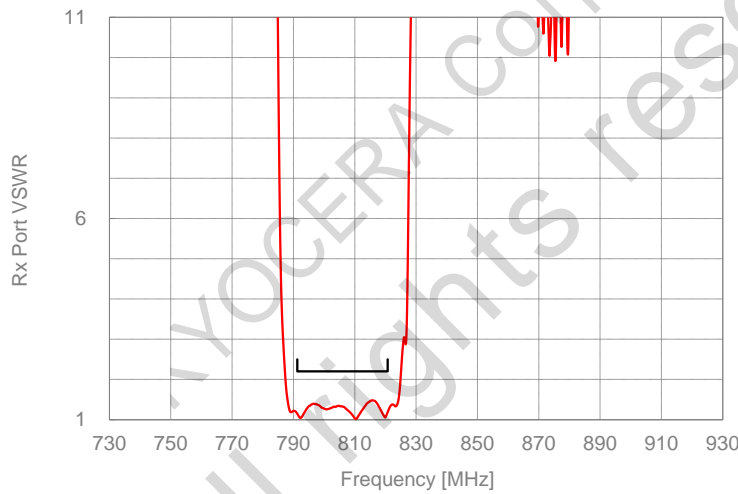
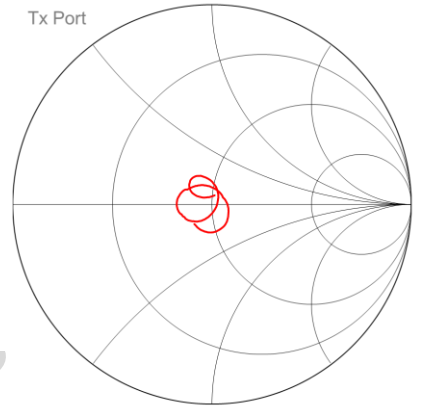
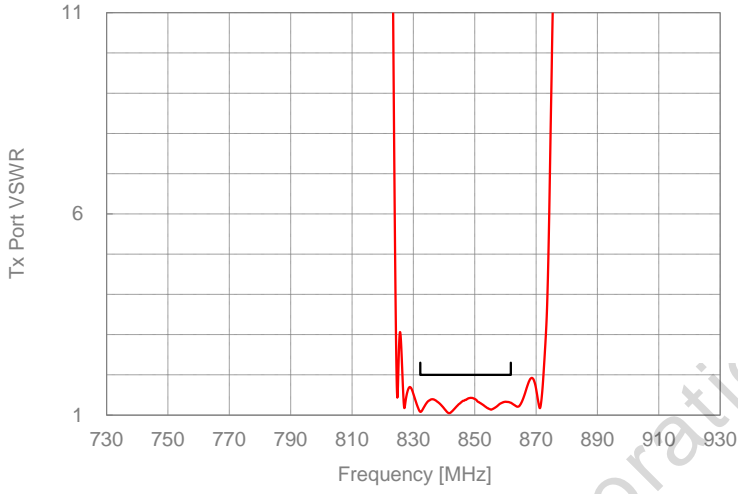


Electrical Characteristics

[Tx to Rx]

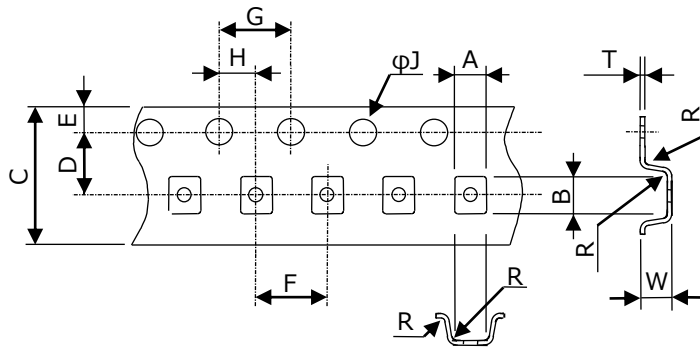


Electrical Characteristics



Tape & Reel Specification

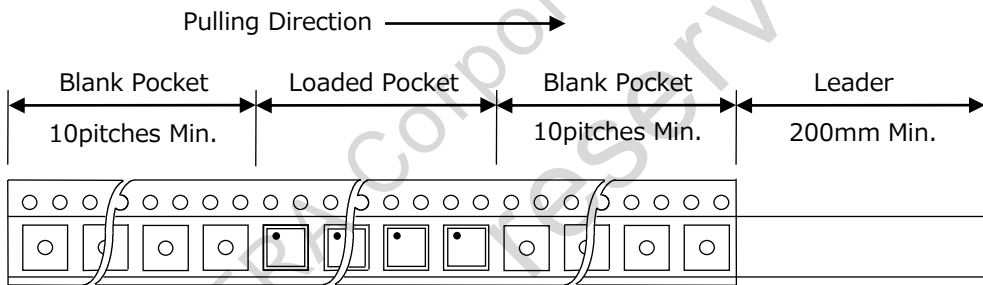
[Tape]



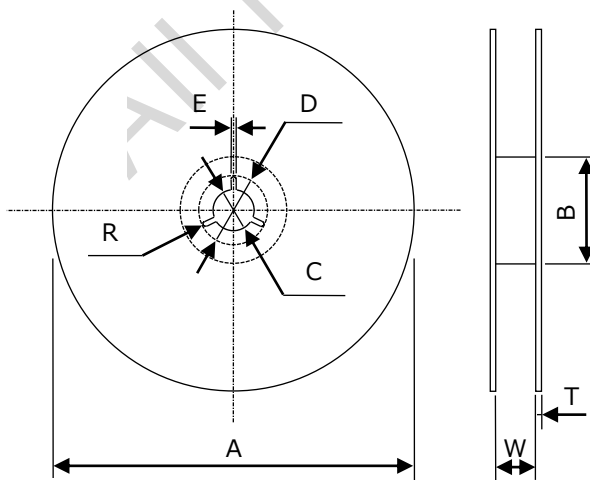
Unit : mm

Part	Dimension
A	1.37±0.10
B	1.80±0.10
C	8.0±0.2
D	3.50±0.05
E	1.75±0.10
F	4.0±0.1
G	4.0±0.1
H	2.00±0.05
φJ	1.5+0.1/-0
R	0.2 Max
W	0.8±0.2
T	0.20±0.05

W : Dimension is depth of pockets.



[Reel]



Unit : mm

Part	Dimension
A	330 ± 2
B	100 ± 2
C	13.0 ± 0.2
D	21.0 ± 0.8
E	2.0 ± 0.5
R	1
W	9.5 ± 1.0
T	2.0 ± 0.2

Notice

1. Characteristics described in this datasheet are for references specifications shall be based on written documents agreed by each party.
2. Contents in this datasheet are subject to change without notice. It is recommended to confirm the latest information at the time of usage. Also, this datasheet is revised once a year. We may not be able to accept requests based on old datasheets.
3. Products in this datasheet are intended to be used in general electronic equipment such as office equipment, audio and visual equipment, communication equipment, measurement instrument and home appliances. It is absolutely recommended to consult with our sales representatives in advance upon planning to use our products in applications which require extremely high quality and reliability such as aircraft and aerospace equipment, traffic systems, safety systems, power plant and medical equipment including life maintenance systems.
4. Even though we strive for improvements of quality and reliability of products, it is requested to design with enough safety margin in equipment or systems in order not to threaten human lives directly or damage human bodies or properties by an accidental result of products.
5. It is requested to design based on guaranteed specifications for such as maximum ratings, operating voltage and operating temperature. It is not the scope of our guarantee for unsatisfactory results due to misuse or inadequate usage of products in the datasheet.
6. Operation summaries and circuit examples in this datasheet are intended to explain typical operation and usage of the product. It is recommended to perform circuit and assembly design considering surrounding conditions upon using products in this datasheet.
7. Technical information described in this datasheet is meant to explain typical operations and applications of products, and it is not intended to guarantee or license intellectual properties or other industrial rights of the third party or Kyocera.
8. Trademarks, logos and brand names used in this datasheet are owned by Kyocera or the corresponding third party.
9. Certain products in this datasheet are subject to the Foreign Exchange and Foreign Trade Control Act of Japan, and require the license from Japanese Government upon exporting the restricted products and technical information under the law. Besides, it is requested not to use products and technical information in the datasheet for the development and/or manufacture of weapons of mass destruction or other conventional weapons, nor to provide them to any third party with the possibility of having such purposes.
10. It is prohibited to reprint and reproduce a part or whole of this datasheet without permission.