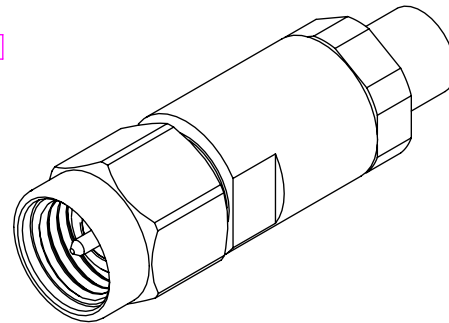
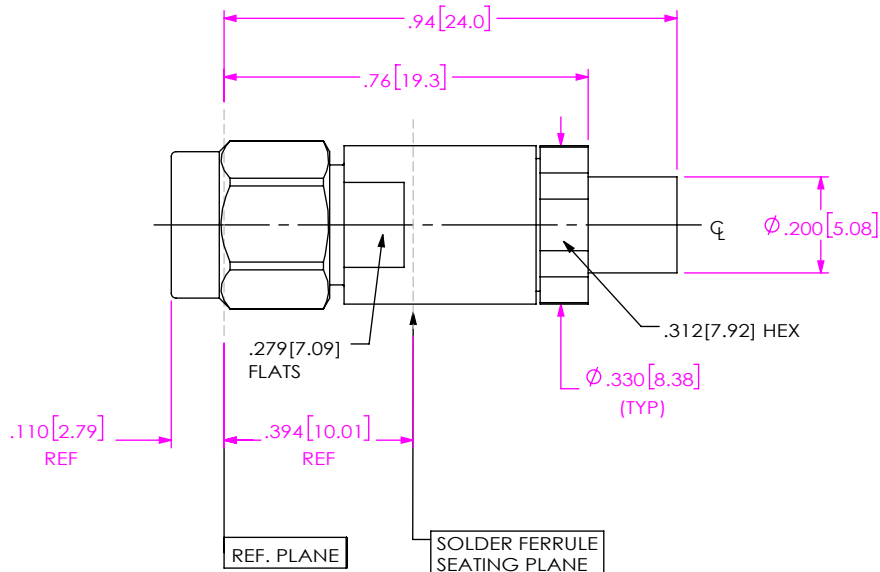


DO NOT SCALE FROM THIS PRINT

DESIGNED & DIMENSIONED IN INCHES[MILLIMETERS]



PRF01-P-C-EP-120C-SS

SERIES
-01: SMA

GENDER
-P: PLUG

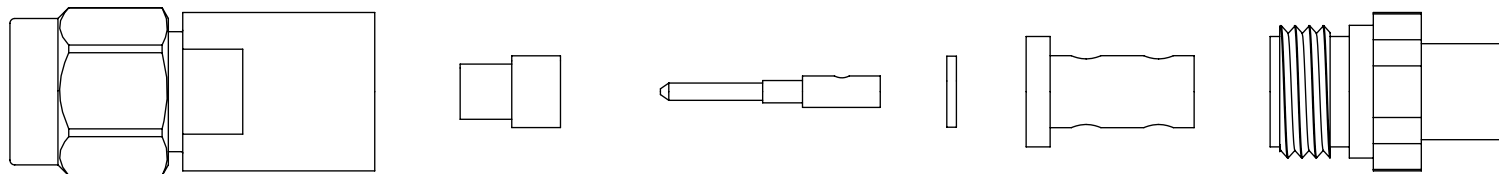
TYPE
-C: CABLE

TERMINATION
-S: SOLDER CLAMP

ORIENTATION
-S: STRAIGHT

CABLE TYPE
-120C: HARBOUR LL120

FINISH
-EP: 50μ" EXTRA HEAVY GOLD CENTER CONTACT, PASSIVATED OUTER CONTACT




EXPLODED VIEW
NOT TO SCALE
(FOR CLARITY ONLY)

NOTES:

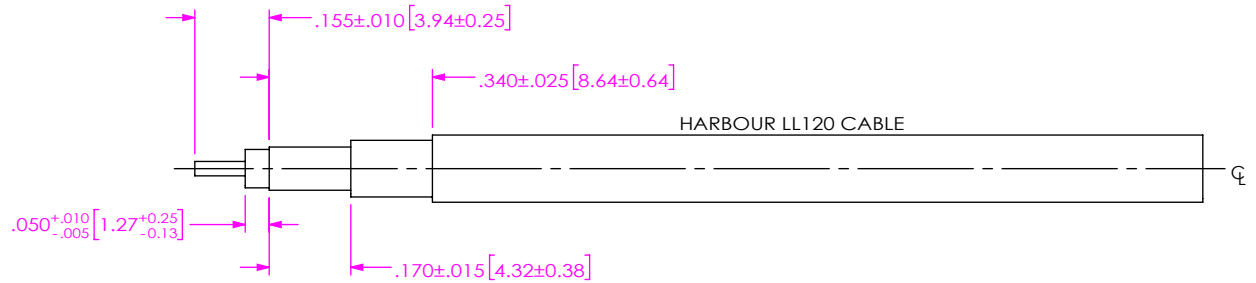
- MATERIAL:
 BODY, COUPLING NUT, CLAMP NUT: STAINLESS STEEL
 CONTACT, LOCK RING: BERYLLIUM COPPER
 SOLDER FERRULE: BRASS ALLOY
 INSULATOR 1: PTFE
 INSULATOR 2: PCTFE
 GASKET, O-RING: SILICONE RUBBER
- FINISH:
 BODY, COUPLING NUT, CLAMP NUT: PASSIVATED
 CONTACT, SOLDER FERRULE: 50μ" MIN. GOLD OVER 50μ" MIN. NICKEL PLATE
- PCI P/N: 3161.

F:\DWG\MISC\MKTG\PRF01-P-C-EP-120C-SS-MKT.SLDDRW

UNLESS OTHERWISE SPECIFIED, DIMENSIONS ARE IN INCHES. TOLERANCES ARE: DECIMALS ANGLES .XX: ±.01[0.3] 1° .XXX: ±.005[0.13] .XXXX: ±.0005[0.013]	* PROPRIETARY NOTE * THIS DOCUMENT CONTAINS CONFIDENTIAL AND PROPRIETARY INFORMATION AND ALL DESIGN, MANUFACTURING, REPRODUCTION, USE, PATENT RIGHTS AND SALES RIGHTS ARE EXPRESSLY RESERVED BY SAMTEC, INC. THIS DOCUMENT SHALL NOT BE DISCLOSED, IN WHOLE OR PART, TO ANY UNAUTHORIZED PERSON OR ENTITY NOR REPRODUCED, TRANSFERRED OR INCORPORATED IN ANY OTHER PROJECT IN ANY MANNER WITHOUT THE EXPRESS WRITTEN CONSENT OF SAMTEC, INC.	 520 PARK EAST BLVD, NEW ALBANY, IN 47150 PHONE: 812-944-6733 FAX: 812-948-5047 e-Mail: info@SAMTEC.com code 55322
BY: SHERRY W 4/29/2019		SHEET 1 OF 2

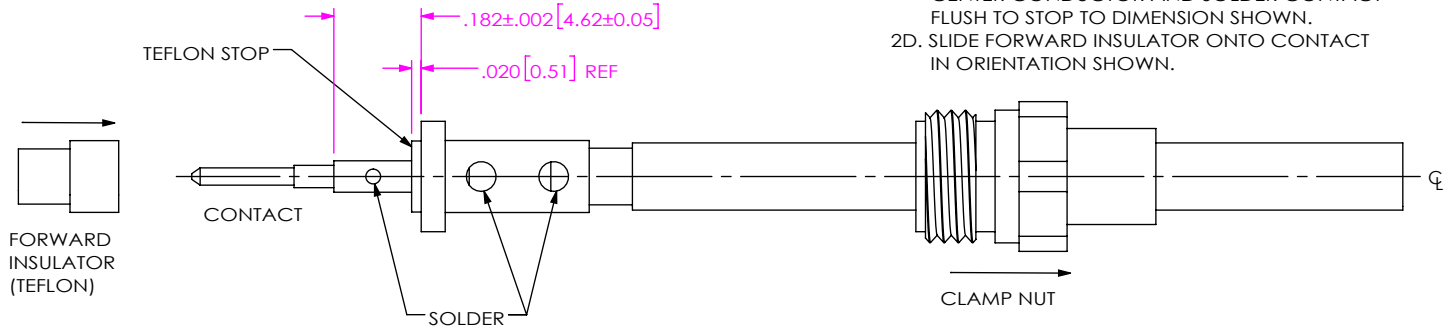
CABLE APPLICATION VIEWS

1. TRIM CABLE AS SHOWN.



IN-PROCESS VIEW 1

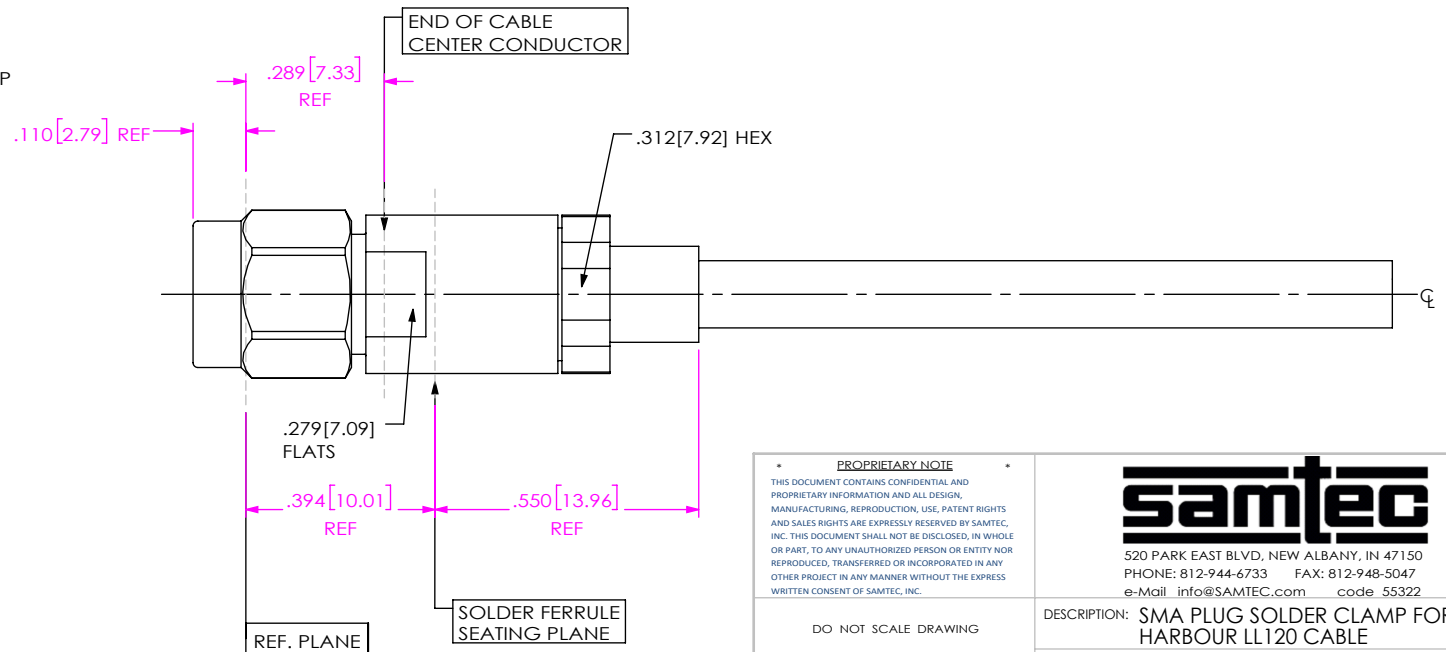
2A. SLIDE CLAMP NUT OVER CABLE AS SHOWN.
 2B. INSERT CABLE INTO SOLDER FERRULE UNTIL DIELECTRIC IS FLUSH WITH FERRULE FACE THEN SOLDER TO CABLE BRAID.



2C. SLIDE DIELECTRIC STOP OVER CABLE CENTER CONDUCTOR AND SOLDER CONTACT FLUSH TO STOP TO DIMENSION SHOWN.
 2D. SLIDE FORWARD INSULATOR ONTO CONTACT IN ORIENTATION SHOWN.

IN-PROCESS VIEW 2

3. INSERT CABLE/CONTACT SUB-ASSEMBLY INTO CONNECTOR UNTIL SEATED AND TIGHTEN CLAMP NUT TO 25-35 IN.-LBS.



DISTANCE FROM END OF CABLE CENTER CONDUCTOR TO REF. PL. IS .289 REF

IN-PROCESS VIEW 3

PROPRIETARY NOTE
 THIS DOCUMENT CONTAINS CONFIDENTIAL AND PROPRIETARY INFORMATION AND ALL DESIGN, MANUFACTURING, REPRODUCTION, USE, PATENT RIGHTS AND SALES RIGHTS ARE EXPRESSLY RESERVED BY SAMTEC, INC. THIS DOCUMENT SHALL NOT BE DISCLOSED, IN WHOLE OR PART, TO ANY UNAUTHORIZED PERSON OR ENTITY NOR REPRODUCED, TRANSFERRED OR INCORPORATED IN ANY OTHER PROJECT IN ANY MANNER WITHOUT THE EXPRESS WRITTEN CONSENT OF SAMTEC, INC.



520 PARK EAST BLVD, NEW ALBANY, IN 47150
 PHONE: 812-944-6733 FAX: 812-948-5047
 e-Mail: info@SAMTEC.com code 55322

DO NOT SCALE DRAWING
 SHEET SCALE: 2.5:1

DESCRIPTION: SMA PLUG SOLDER CLAMP FOR HARBOUR LL120 CABLE

DWG. NO. PRF01-P-C-EP-120C-SS

BY: SHERRY W 4/29/2019 SHEET 2 OF 2