



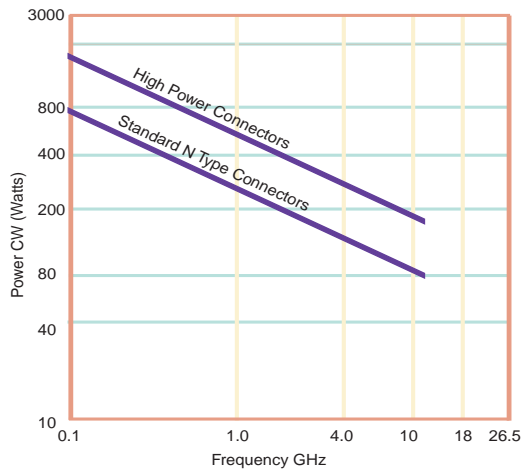
Commercial CCS-32 High Power DC-12GHz SPDT Switch Latching

The CCS-32 is a broadband, SPDT Switch designed to switch microwave signals from a common input to either of two outputs. Designed for 50 Ohms transmission lines. The switch is available with either failsafe or latching type actuators operating on 28 VDC or other special DC voltages. The primary advantage of this switch over the miniature versions, shown on previous pages is the higher power handling capability.

Specifications

RF Contacts:	Break before make			
Actuator	Voltage (VDC) 20°C	12	15	28
	Current (mA)	150	120	60
Switching Time:	20 msec max			
Connectors:	SMA, TNC, N Type			
Weight:	6 oz. max			
Temperature Range:	-40°C to +65°C (Operating)			
Shock:	MIL-STD-202 Method 213, Condition D (500G Non Operating)			
Vibration:	MIL-STD-202 Method 214, Condition D (10G RMS Non Operating)			
Humidity:	Moisture Seal Available			
Typical Contact Life:	2 Million Cycles			

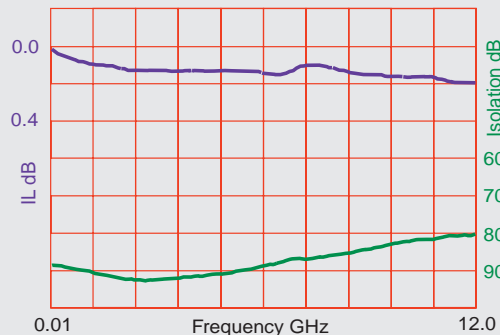
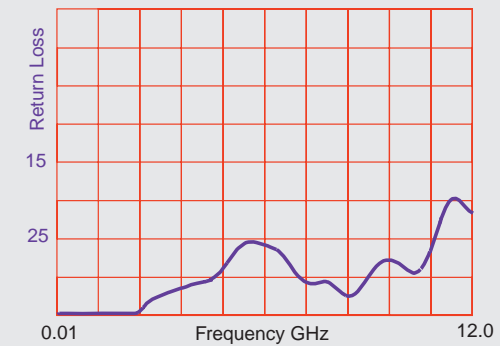
RF Power Handling



Specifications

	DC-1 GHz	1-4 GHz	4-12 GHz*
VSWR (max)	1.25:1	1.40:1	1.70:1
Insertion Loss (max)	0.30 dB	0.40 dB	0.50 dB
Isolation (min)	70.0 dB	60.0 dB	60.0 dB
*Connector Type	Max (f)		
SMA	12 GHz		
N Type	11.5 GHz		
TNC	11 GHz		

Typical Performance



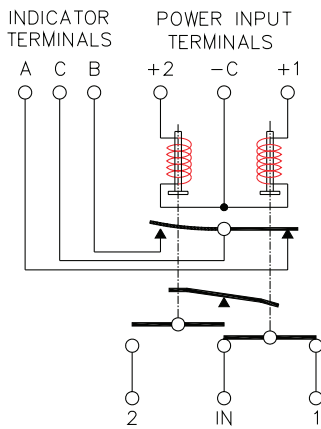
Specifications subject to change without notice.

www.teledynecoax.com
email: coax@teledyne.com

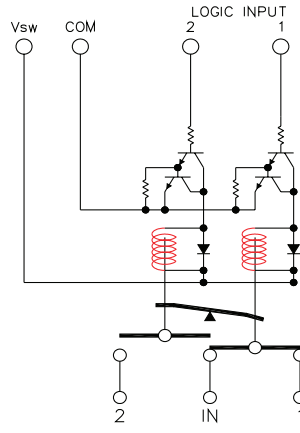
Tel: (800) 351-7368

10/2007

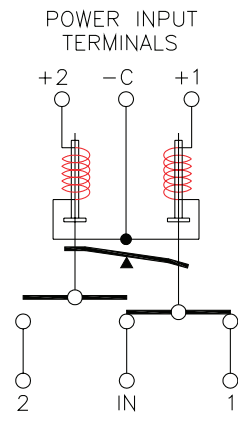
Commercial CCS-32 High Power DC-12GHz SPDT Switch Latching



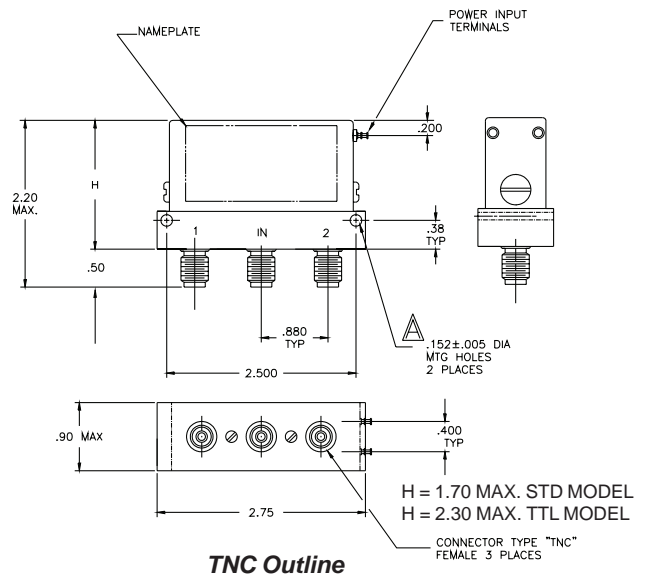
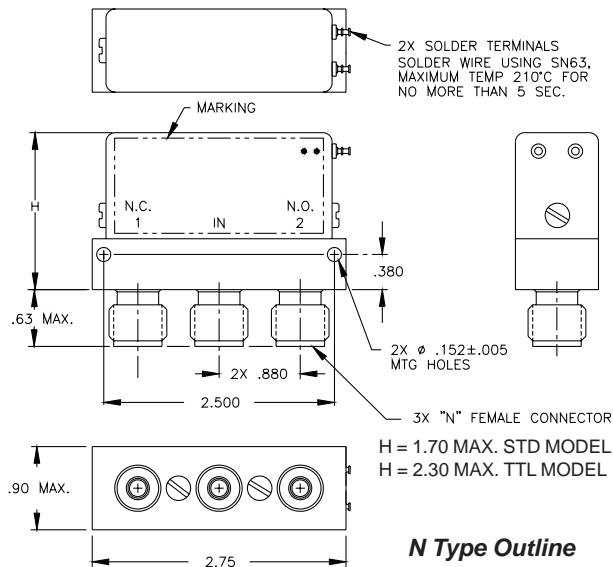
Indicators



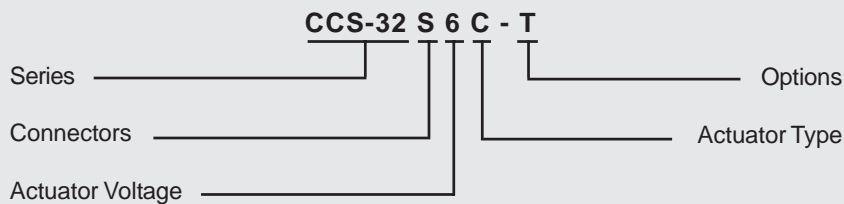
TTL



Analog



Part Numbering System for CCS-32 (Latching)



Connector

S: SMA Female
N: N Type Female
T: TNC Female

Actuator Voltage

6: 28Vdc Latching
7: 15Vdc Latching
8: 12Vdc Latching

Actuator Type

O: No Indicator Contacts
C: Indicator Contacts
D: Self Cutoff Only
E: Indicators and Self Cutoff

Options

T: TTL Drivers with Diodes
R: Positive + Common

For other options contact Factory