

Token Ring Integrated Filter Module

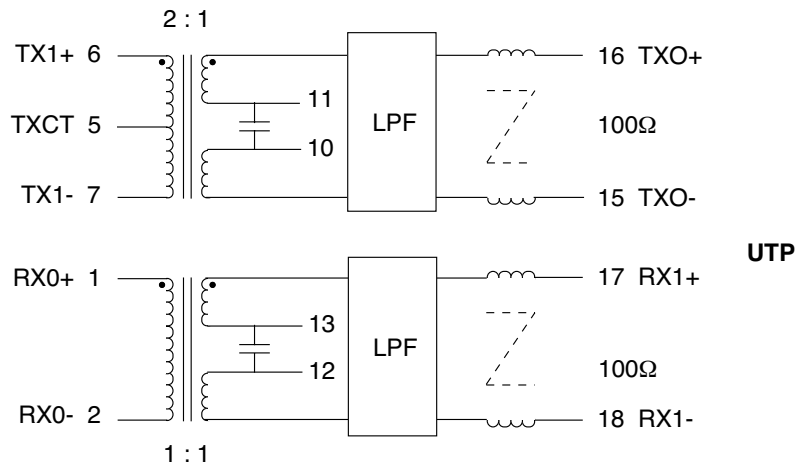
Features

- Includes both Transmit and Receive channels in one module
- Complies with IEEE 802.5 Current Proposal for UTP Cable

Electrical Specifications @ 25°C

PCA Part Number(s)		EPT7066							
Insertion Loss Transmit	1-16 MHz 0.6 dB Max.	24 MHz 1 dB Max.	32 MHz 7 dB Min.	36 MHz 25 dB Min.	Insertion Loss Receive	1-8 MHz 0.5 dB Max.	1-16 MHz 1 dB Max.	32 MHz 5 dB Min.	
Return Loss Transmit	1-6 MHz 18 dB Min.	6-17 MHz 12 dB Min.	17-24 MHz 8 dB Min.		Return Loss Receive	1-17 MHz 15 dB Min.	24 MHz 10 dB Min.		
Isolation	500 Vrms (for 1 minute)			Crosstalk	0.3-300 MHz 35 dB Min.				
Common Mode Rejection	30-300 MHz 40 dB Min.								

Schematic



Package

