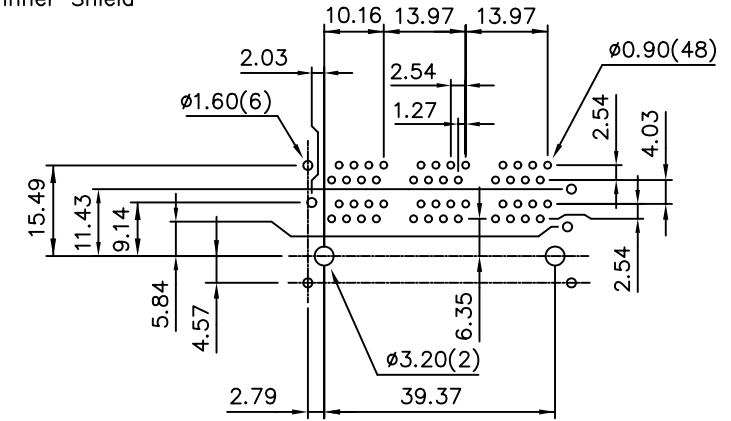
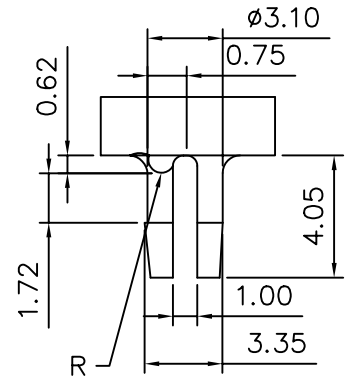
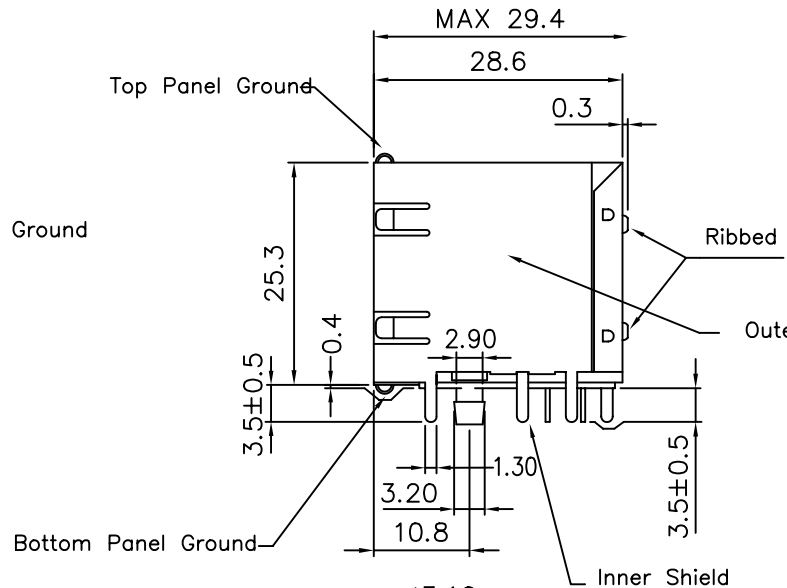
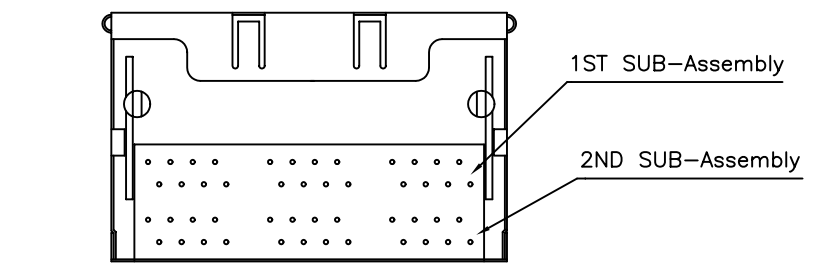
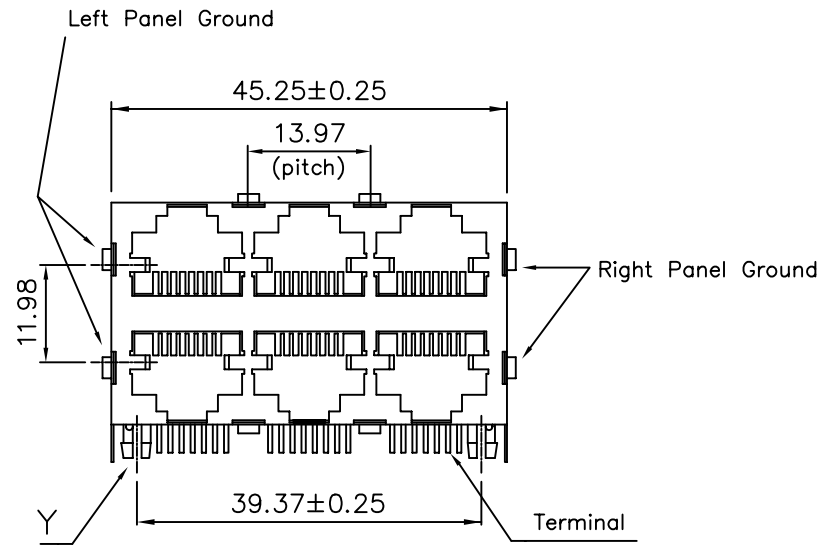


SPECIFICATIONS
 Housing: PBT Polyester UL 94V-0
 Mixed Glass Fiber, Black
 Contact: 0.35mm Thickness, Phosphor Bronze
 Plated With Hard Gold And
 Tin/Lead In Solder Area
 Shield: 0.25mm Thickness Copper Alloy
 Nickel Plated



AUK A NUMBER OF AUK GROUP
太聯事業股份有限公司
 AUK CONTRACTORS CO., LTD.

DRAWING No.		APPROVED BY		UNLESS OTHERWISE SPECIFIED TOLERANCES ARE .X ± 0.25 .XX ± 0.10 .XXX ± 0.05
MJF0808B03F		MEI		
F06		RAN		
DRAWING BY		HZF		UNIT
SCALE	NONE	REV.	A	mm

AREA	REVISIONS	CHK	DATE