

4

3

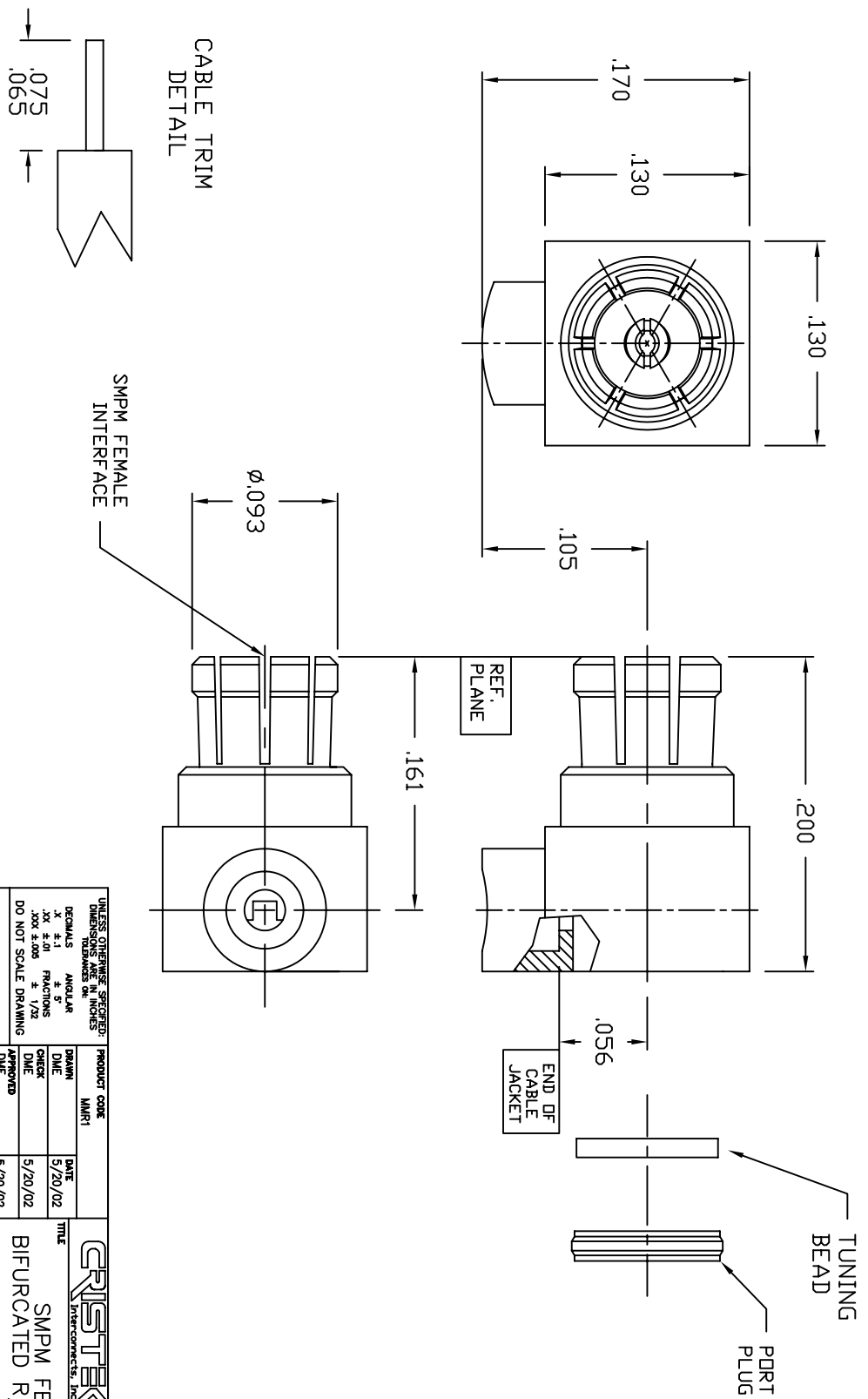
2

REV. NO. 01-MA1-MFCR-001

CONNECTOR P/N MA1-MFCR-001

REVISIONS		DESCRIPTION	DATE	RELEASED
ECO NO.	LTR	REVISED TO CLARITY		
4272	B			

COMPONENT	MATERIAL	FINISH
HOUSING, PURT PLUG, AND CONTACT	BeCu PER ASTM B 196 AND/OR ASTM B 197 AND UNS #C17300 DR UNS #C172000	GOLD PLATE PER ASTM B 488, TYPE 1, GRADE C, .000050 TD .000100 THICK DYER NICKEL PER AMS QQ-N-290 DR AMS 2404 .000050 TD .000150 THICK.
INSULATOR(S)	PTFE(ETFE)ND PER ASTM D 1710 AND ASTM D 1457	N/A



UNLESS OTHERWISE SPECIFIED: DIMENSIONS ARE IN INCHES		PRODUCT CODE MA1	
DECIMALS	ANGULAR	DRAWN	DATE
.XX ±.01	± 5°	DME	5/20/02
.XXX ±.005	± 1/32	CHEG	5/20/02
DO NOT SCALE DRAWING		APPROVED	DATE
		DME	5/20/02
THIS DRAWING AND THE DATA DESCRIBED HEREIN ARE THE PROPERTY OF CRISTEK AND IS NOT TO BE REPRODUCED, COPIED, OR DISCLOSED IN WHOLE OR IN PART WITHOUT THE WRITTEN PERMISSION OF CRISTEK INTERCONNECTS.		CAD FILENAME: CADFILENAME	SCALE
		THIRD ANGLE PROJECTION	C 67720
			SCALE NONE

CRISTEK
1301 S. LEVINS STREET
ANNEN, CA 96003
(714) 618-2000

TITLE
SMPM FEMALE
BIFURCATED R/A TO .047

SIZE 1
CAD NO. 01-MA1-MFCR-001
REV. NO.

4

3

2

1