





## Automotive

### Features

-  TOROID SMD Platform
-  RoHS Compliant Product
-  Operating temperature: -40°C~125°C
-  AEC-Q200 Qualified

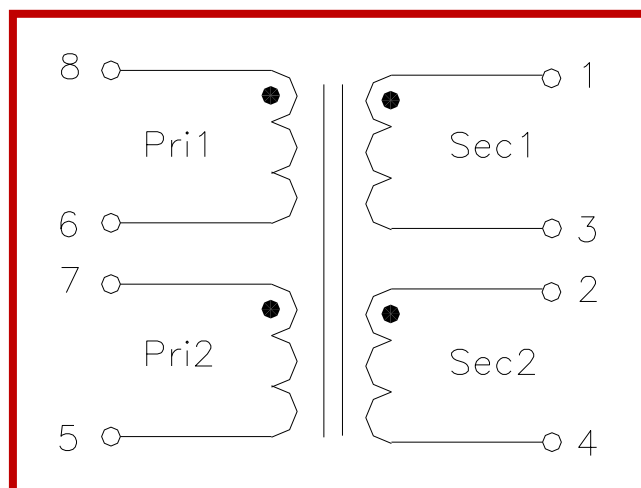
### Electrical Specifications @+25°C

Part Number	Ver	Application	Turn Ratio				Primary Secondaries Isolation	Primary Inductance (uH ±40%)	Leakage Inductance (uH Max)	Rated Current (Arms Max)	Saturation Current (A MAX)
			Pri1	Pri2	Sec1	Sec2					
AUC-TS-SI13-0028	M5	Push Pull Transformer Max input voltage:16V Working frequency:400kHz Max working voltage: 1000V Max power:3W	10	10	30	30	4300Vdc, 6 Seconds	100.0	1.0	0.4	3.0
			DCR (Ω MAX)								
			0.24	0.24	1.35	1.35					

#### Notes:

1. Leakage inductance is measured on primary winding (8-6) with all secondaries winding shorted.
2. Add suffix "T" to part number for Tape & Reel package (ie: AUC-TS-SI13-0028T)
3. Max self-heating temperature at 125°C: 25°C

### Schematic



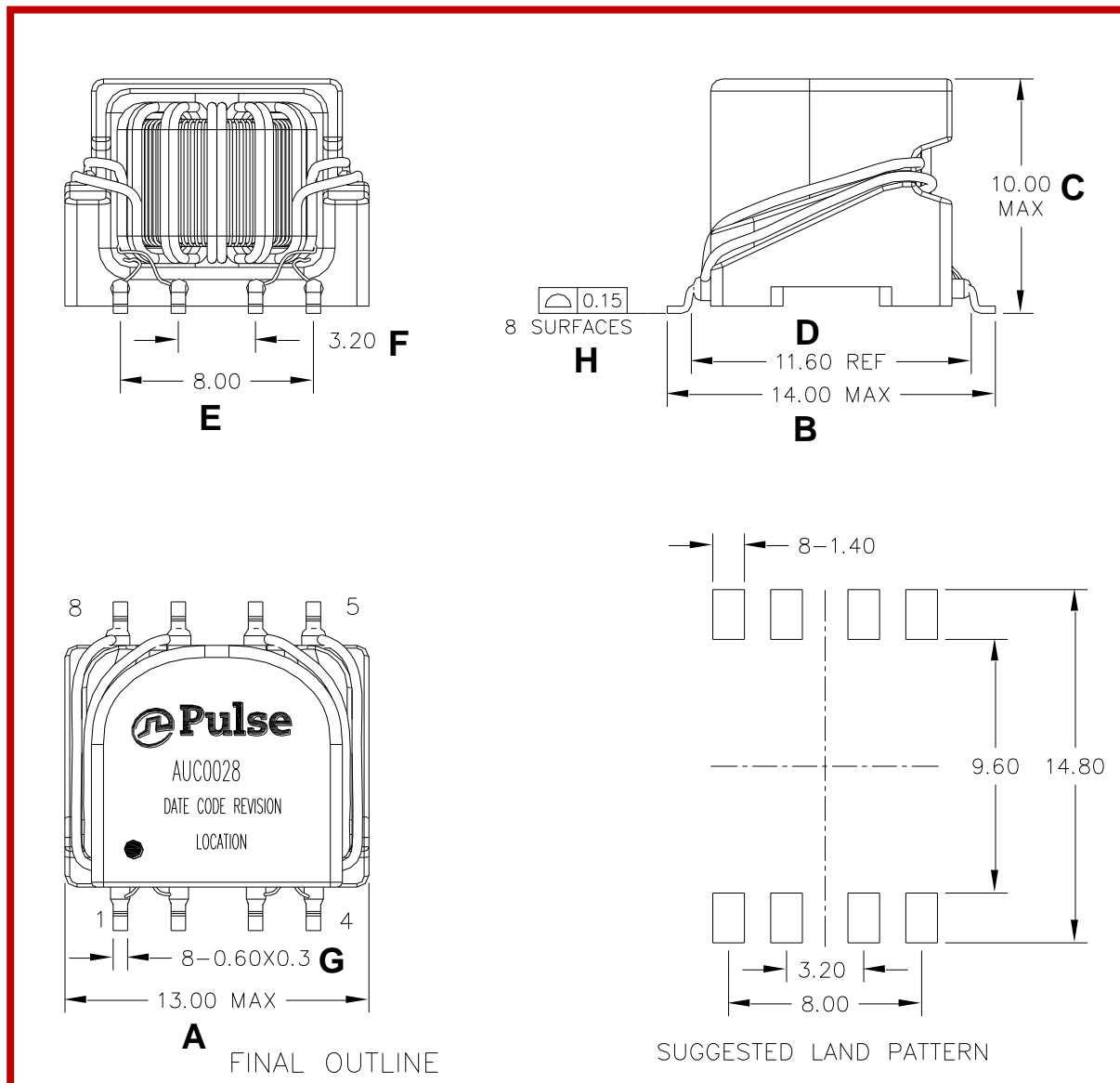
## Automotive

### Mechanical Outlines

Dimensions: mm

Unless otherwise specified

All dimensions are  $\pm 0.3$



### Packing Information

- Type: Tape & Reel
- Quantities per reel: 200PCs
- Reels per box: 5PCs
- Unit Weight: 1.6g