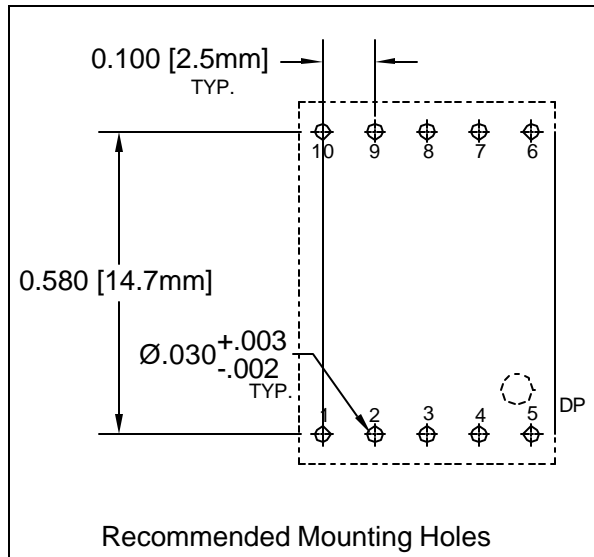
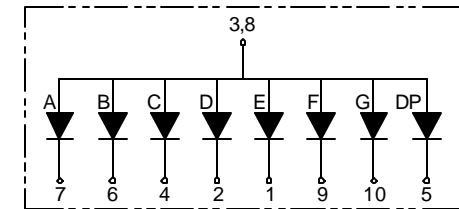
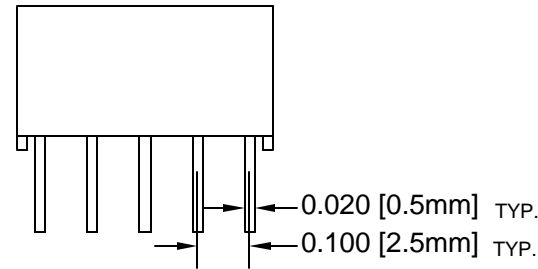
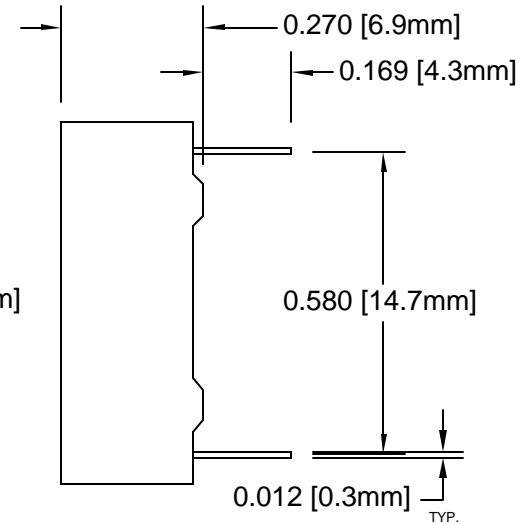
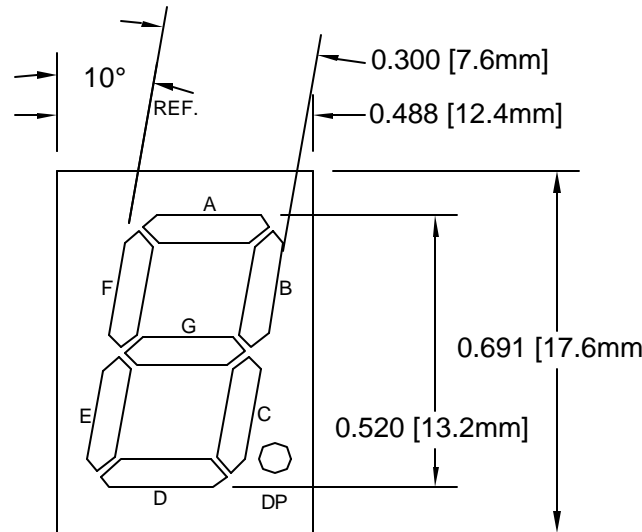


REV.	DESCRIPTION	DATE	APPROVED
A	Engineering Update w/o Changes	03/10/04	M. C.
B	DIM Update	01/27/06	M. C.




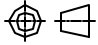
Recommended Mounting Holes

No.	Connection	No.	Connection
1	Cathode E	6	Cathode B
2	Cathode D	7	Cathode A
3	Com. Anode	8	Com. Anode
4	Cathode C	9	Cathode F
5	Cathode D.P.	10	Cathode G




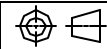
ABSOLUTE MAXIMUM RATINGS (Ta=25 C°)

REVERSE VOLTAGE _____ 5V
 REVERSE CURRENT _____ 100µA
 OPERATING TEMPERATURE RANGE _____ -25° C - 85° C
 STORAGE TEMPERATURE _____ -30° C - 100° C
 LEAD SOLDERING TEMPERATURE(1/16" FROM BODY) _____ 260° C FOR 5 SECONDS

STANDARD TOLERANCE (UNLESS OTHERWISE SPECIFIED)		 4 THOMAS, IRVINE, CA. 92618 TEL: (949) 951-8808 FAX: (949) 951-3974		
DECIMALS	ANGULAR			
.X ±.1	X° ± 1°		TITLE: 7-SEGMENT DIGITAL DISPLAY W/DP	
.XX ±.02				PART NO: BD-546AXX
.XXX ±.010				
DESIGNED: David Green	DATE: 01/27/06	CAGE CODE : 32559 SHEET # 1 OF 2		
CHECKED: T. Yin	DATE: 01/27/06	CAD GENERATED DOCUMENT, DO NOT MEASURE DRAWING.		

REV.	DESCRIPTION	DATE	APPROVED
	SEE SHEET#1.		

LED Part No.	Chip			Lens Appearance	Absolute Max. Ratings				Electro-Optical Data		
	Material	Peak Wave Length λ_p (nm)	Emitted Color		$\Delta\lambda$ (nm) @20mA	Pd/Segment (mW)	If/Segment (mA)	Peak/Segment If (mA)	Vf @20mA (V)		Iv @10mA (mcd)
									TYP	MAX	TYP
BD-546AHR	GaAsP/GaP	635	HE RED	DIFFUSED	40	75	25	100	2.0	2.6	2.2
BD-546AY	GaAsP/GaP	585	YELLOW	DIFFUSED	35	60	20	80	2.0	2.6	2.2
BD-546AG	GaP/GaP	565	GREEN	DIFFUSED	30	75	25	100	2.1	2.6	2.2
BD-546ABW	InGaN	465	BLUE	DIFFUSED	10	60	20	80	3.0	4.0	2.2

STANDARD TOLERANCE (UNLESS OTHERWISE SPECIFIED) <u>±10 % ALL VALUES.</u> <u>ANGULAR</u> X° ± 5°		 BIVAR [®] 4 THOMAS, IRVINE, CA. 92618 TEL: (949) 951-8808 FAX: (949) 951-3974	
			
DESIGNED: David Green	DATE: 01/27/06	PART NO: BD-546AXX	
CHECKED: T. Yin	DATE: 01/27/06	CAGE CODE : 32559	SHEET # 2 OF 2
<small>CAD GENERATED DOCUMENT. DO NOT MEASURE DRAWING.</small>			