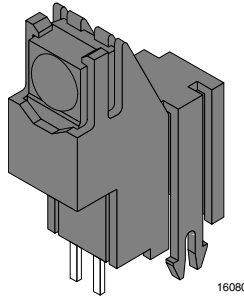
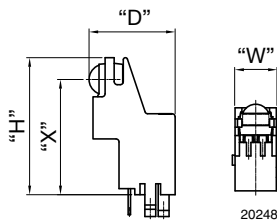


Side View Holder: D = 15.7 mm, H = 21.9 mm, W = 7.45 mm, X = 18.3 mm



16080



20248

FEATURES

- Material categorization: for definitions of compliance please see www.vishay.com/doc?99912

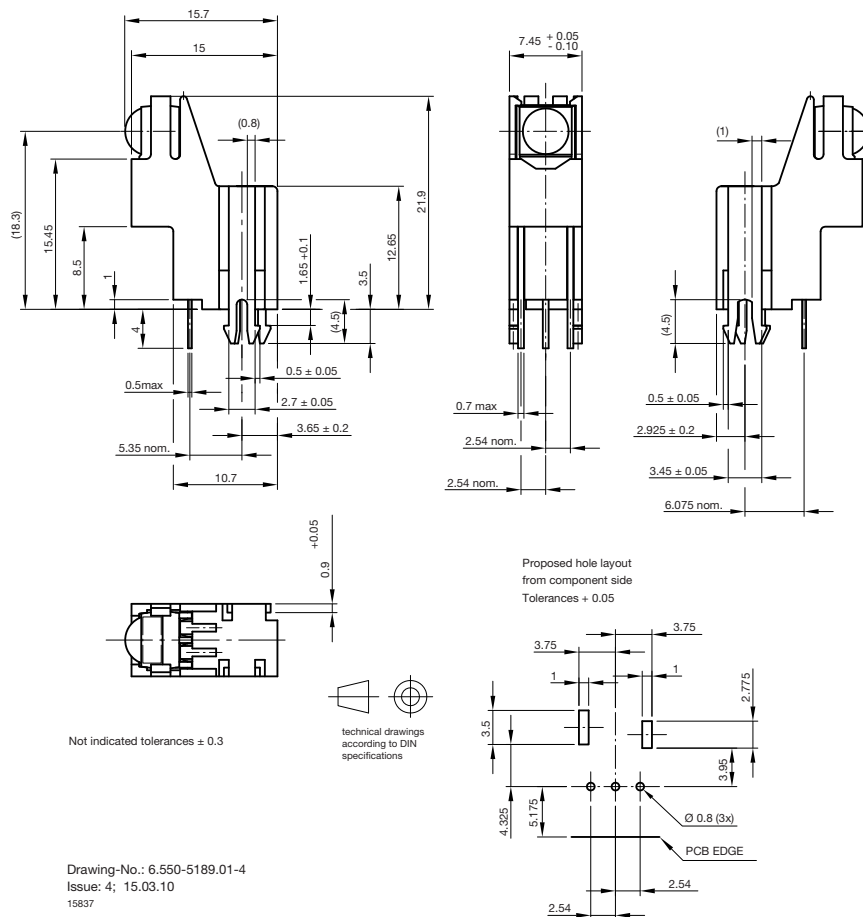


AVAILABLE FOR

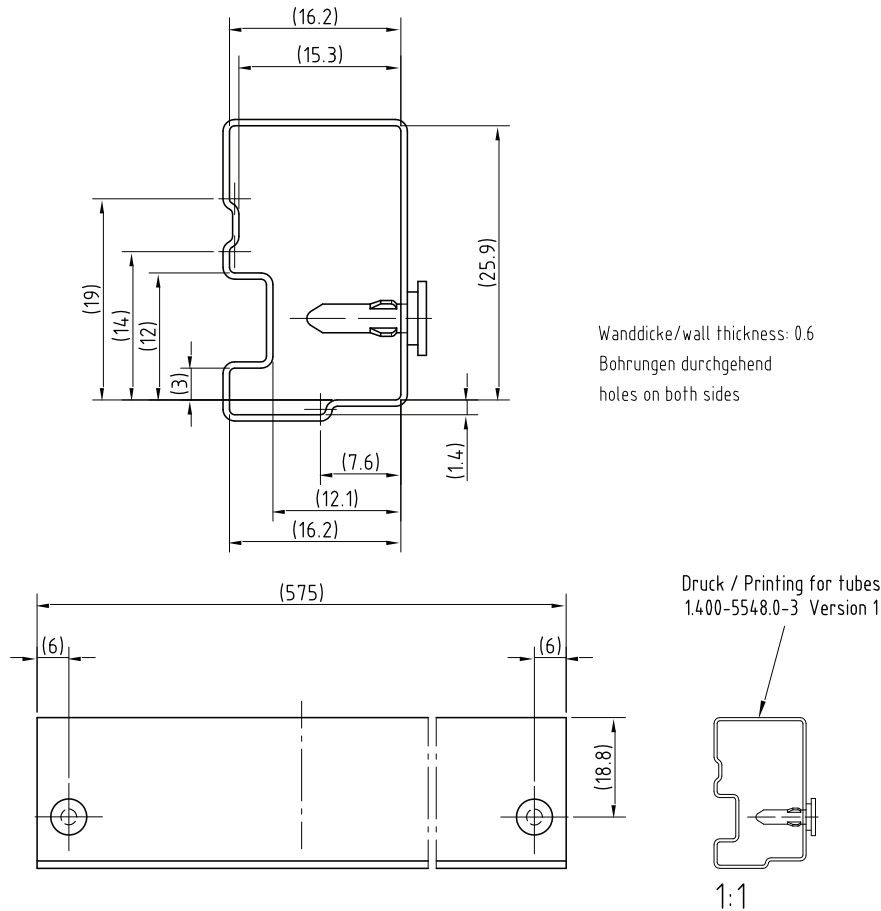
- Mold

| NAME | LENS AXIS (X) | VIEW | TYPE | HEIGHT (H) | WIDTH (W) | DEPTH (D) |
|------|---------------|------|--------|------------|-----------|-----------|
| TE1 | 18.3 | Side | Holder | 21.9 | 7.45 | 15.7 |

MECHANICAL DIMENSIONS in millimeters



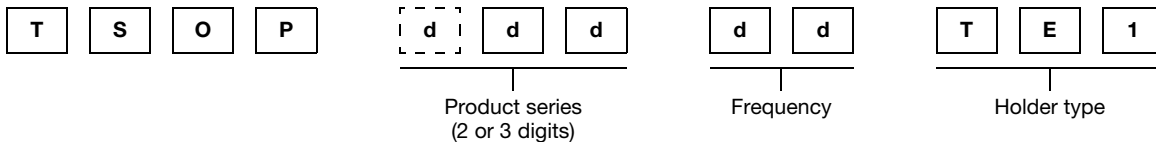
PACKAGING DIMENSIONS in millimeters



Drawing-No.: 9.700-5215.0-4
Rev. 5; Date: 20.11.03

20264-1

ORDERING INFORMATION



Note

- d = "digit", please consult the list of available series on the previous page to create a valid part number

Example: TSOP14838TE1

PACKING QUANTITY

- 74 pieces per tube
- 18 tubes per carton

Vishay offers plastic and metal holder which have different characteristics:

- Plastic Pros: nearly invisible behind the bezel
- Plastic Cons: cannot be reflow soldered, wave soldering deforms the hooks (visual issue only, the part is secured by the leads after soldering)
- Metal Pros: may be reflow and wave soldered, improves EMI and RF rejection
- Metal Cons: appears shiny behind the bezel, will oxidize over time (visual issue only, the holder functionality is not impaired)