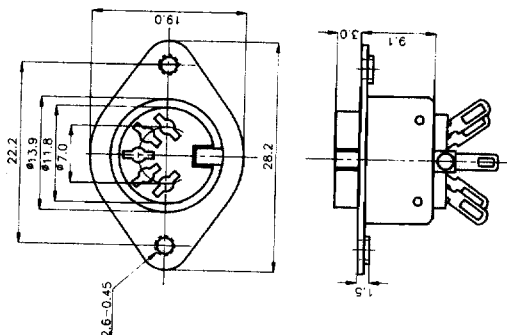
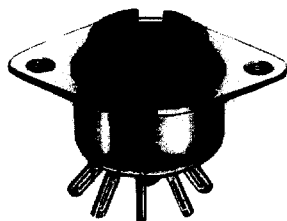




A/D ELECTRONICS, INC.

DIN SOCKET (METAL COVER TYPE)



Specifications:

Insulation Resistance:
100MΩ at 500V D.C.

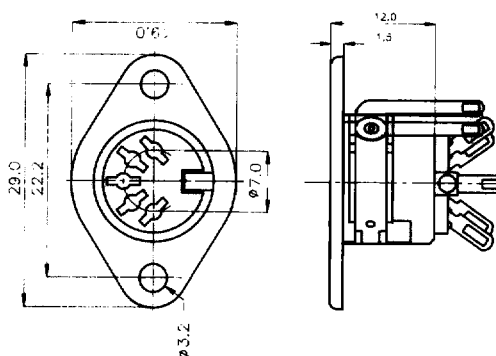
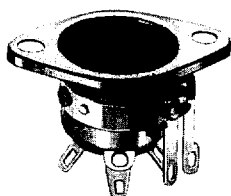
Dielectric Strength:
1000V A.C./1 Minute

Contact Resistance:
20mΩ MAX.

Rating: 100V A.C. 2A

ARRANGEMENT OF CONTACTS					
NO OF CONTACTS	4	5	6	7	8
MODEL NO	ADS-074	ADS-075	ADS-076	ADS-077	ADS-078

DIN SOCKET WITH SWITCH (METAL COVER TYPE)



Specifications:

Insulation Resistance:
100MΩ at 500V D.C.

Dielectric Strength:
1000V A.C./1 Minute

Contact Resistance:
20mΩ MAX.

Rating: 100V A.C. 2A

ARRANGEMENT OF CONTACTS					
NO OF CONTACTS	4	5	6	7	8
MODEL NO	ADS-084	ADS-085	ADS-086	ADS-087	ADS-088