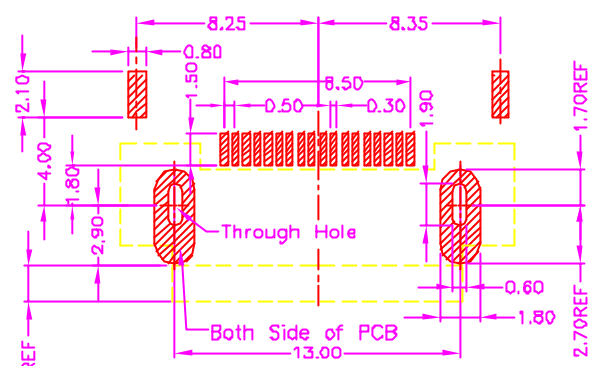
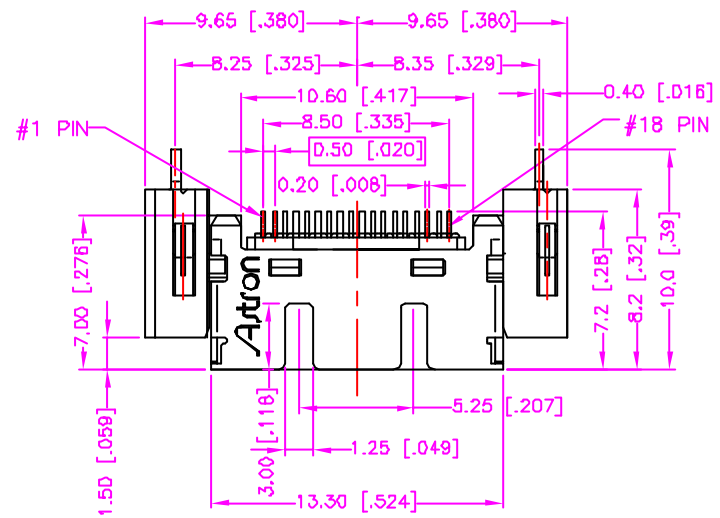
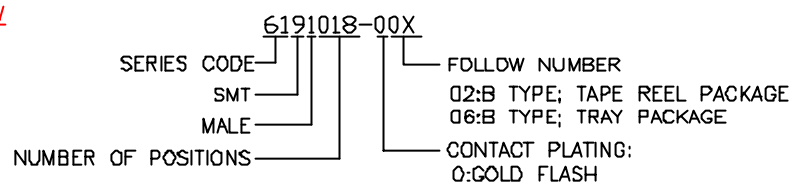


REV.	DESCRIPTION	DATE
—	RELEASE	Jun 03,2003
B	03'0619	Jun 13,2003
C	03'0715	Jul 12,2003
D	03'0733	Jul 22,2003
E	03'1202	Dec 12,2003
F	04'0337	Mar 19,2004
G	04'0412	Apr 12,2004



ORDER INFORMATION :

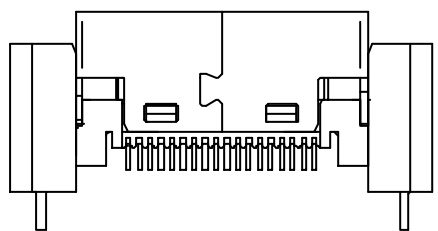
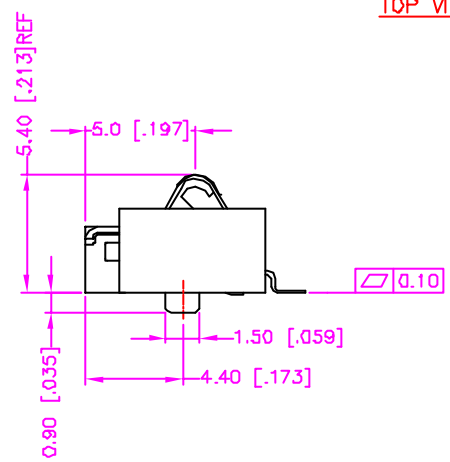
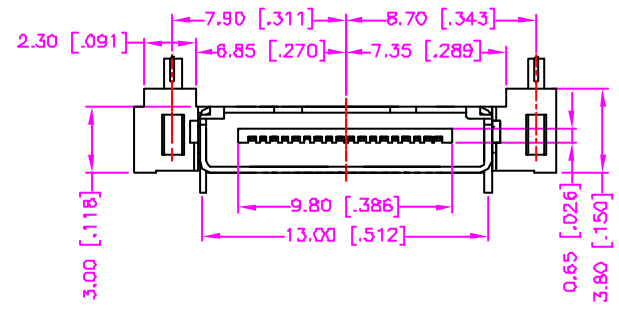


MATERIALS

- HOUSING : HI.-TEMP. PLASTIC (UL 94V-0), BLACK.
- TERMINAL : COPPER ALLOY, GOLD PLATED OVERALL. (t=0.20mm, SIGNAL TERMINAL; t=0.15mm, BATTERY TERMINAL)
- SHELL : STAINLESS STEEL, NICKEL PLATED ALL OVER. (t=0.30mm)

SPECIFICATION

- CURRENT RATING : 0.5A MAX.
- DIELECTRIC WITHSTANDING VOLTAGE : 250V AC R.M.S. FOR ONE MINUTE.
- INSULATION RESISTANCE : 1000 M MIN AT 250V DC.
- OPERATING TEMPERATURE : -40°C TO +85°C.



TOLERANCE		DRAWER <i>Fujim</i>		 ASTRON TECHNOLOGY CORP.
.0-±.038 [.015]		CHECK <i>NIS</i>		
.00-±0.25 [.010]		APP'D <i>LYON</i>		
.000-±0.15 [.006]		PRODUCT SPEC. —		
.0000-±.0000		UNITS : mm [Inch]		NAME
ANG.-±3°		SCALE NONE SIZE A4		0.5PH IN-PHONE 18P TYPE I (B TYPE)
SHEET 1 OF 1		REV. G		DRAW NO. R6191018-002(06)