

## Technical Specification

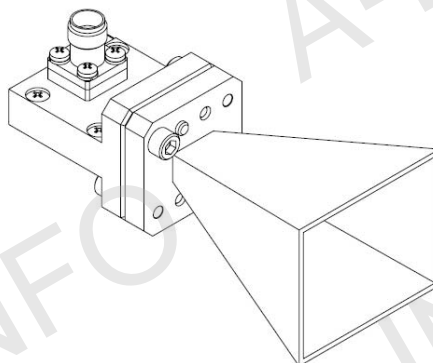
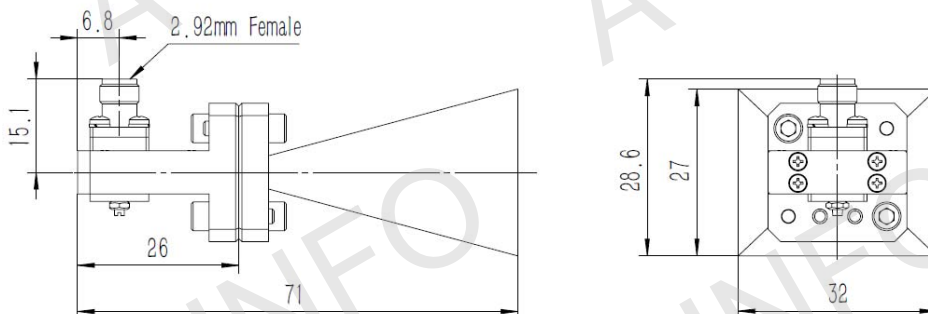


Frequency Range(GHz)	18.0 – 40.0
Gain(dBi)	15 Typ.
Polarization	Linear
3dB Beamwidth(deg)	E Plane: 42 - 21
	H Plane: 45 - 17
Cross Pol. Isolation(dB)	30 Typ.
VSWR	1.5:1 Typ.
	2.0:1 Max.
Connector	2.92mm(K)-Female or 2.4mm-Female
Power Handling(W)	2.92mm-F: 20 Max. CW
	2.4mm-F: 10 Max. CW
Material	Cu
Size(mm)	32 x 28.6 x 71
Net Weight(Kg)	0.08 Around

## Outline Drawing (Size: mm)

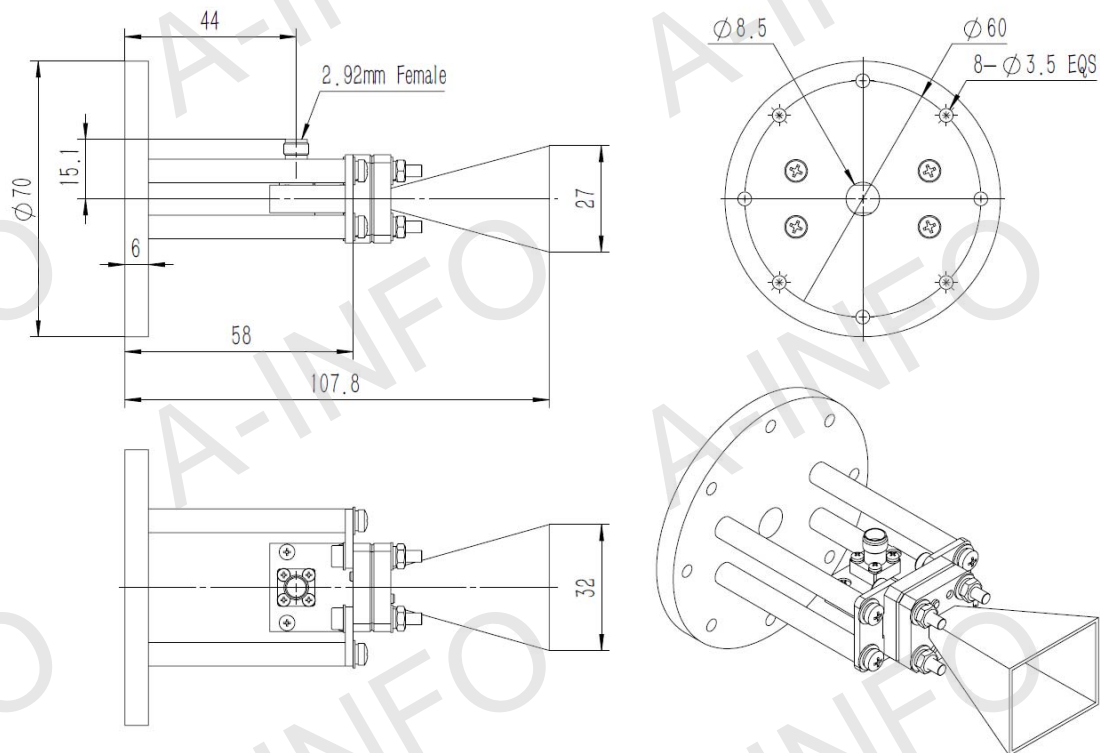
### 2.92mm-Female Output

For 2.4mm-Female output outline drawing, please contact A-INFO.



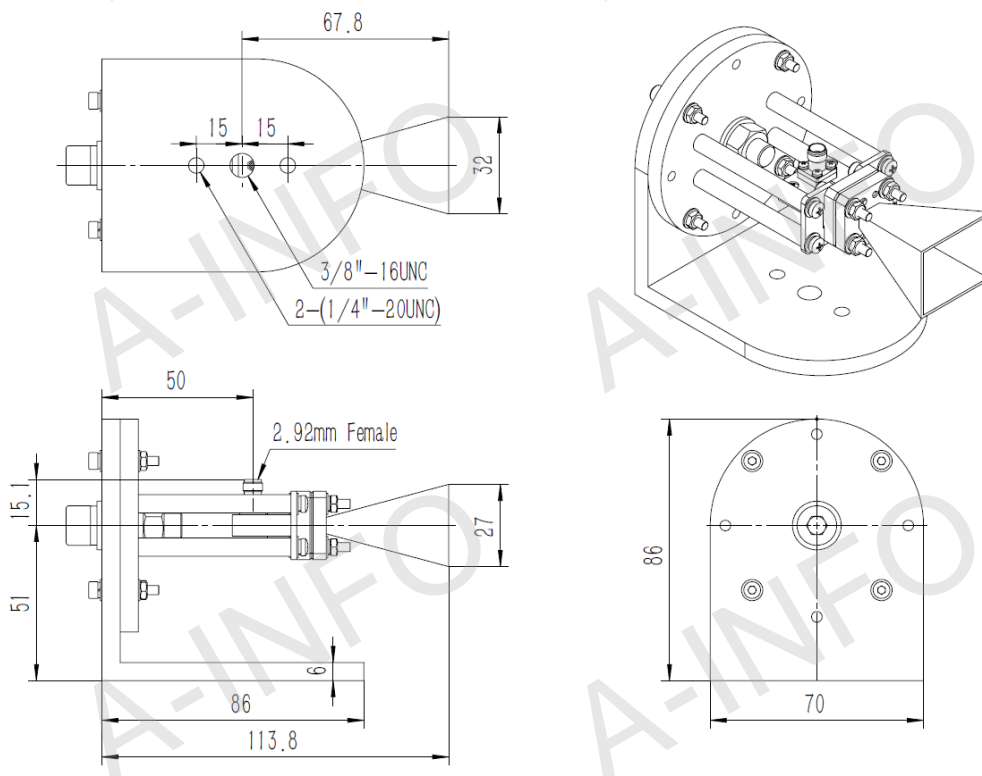
## 2.92mm-Female Output with Round Mounting Bracket

For 2.4mm-Female output outline drawing, please contact A-INFO.



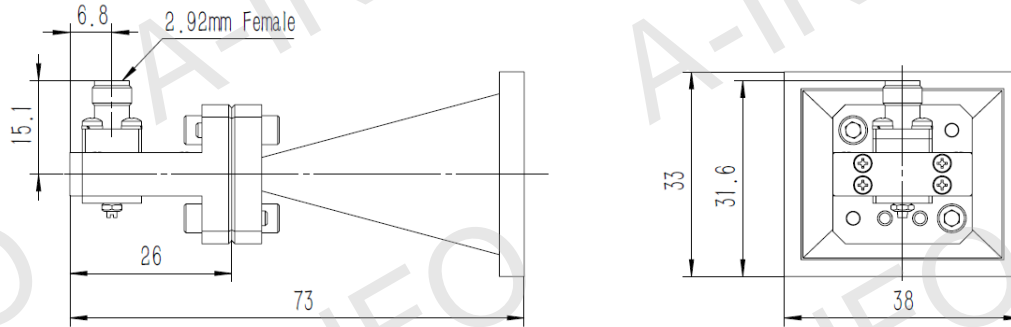
## 2.92mm-Female Output with L type Mounting Bracket

For 2.4mm-Female output outline drawing, please contact A-INFO.



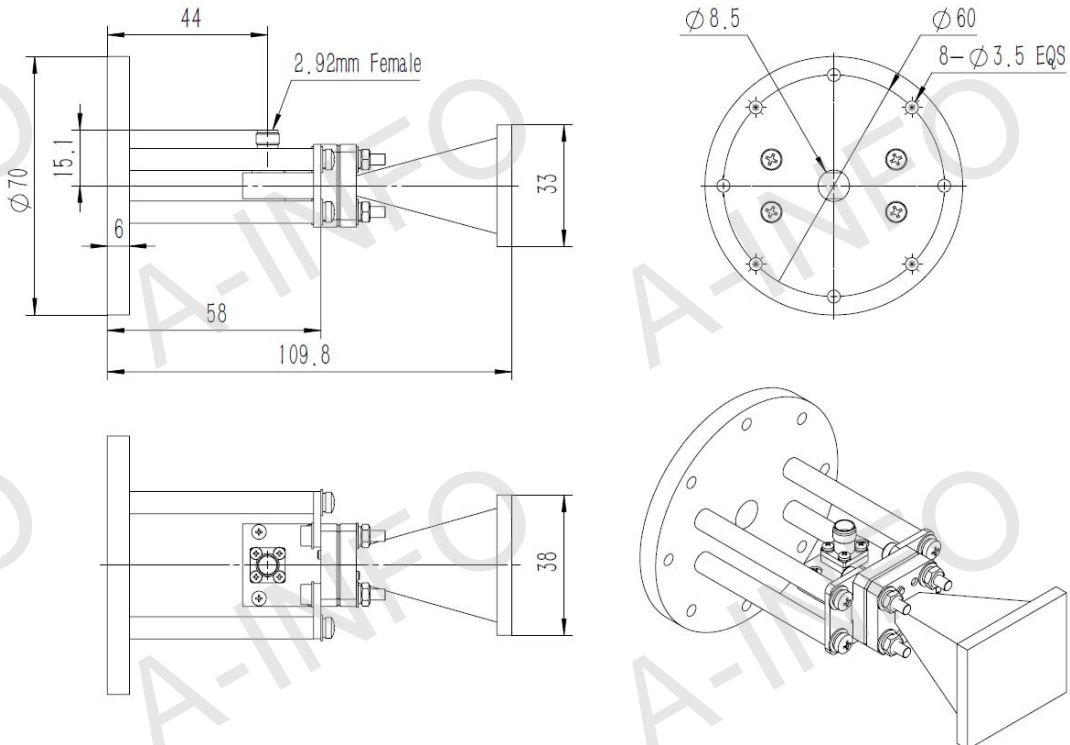
## 2.92mm-Female Output with Radome

For 2.4mm-Female output outline drawing, please contact A-INFO.



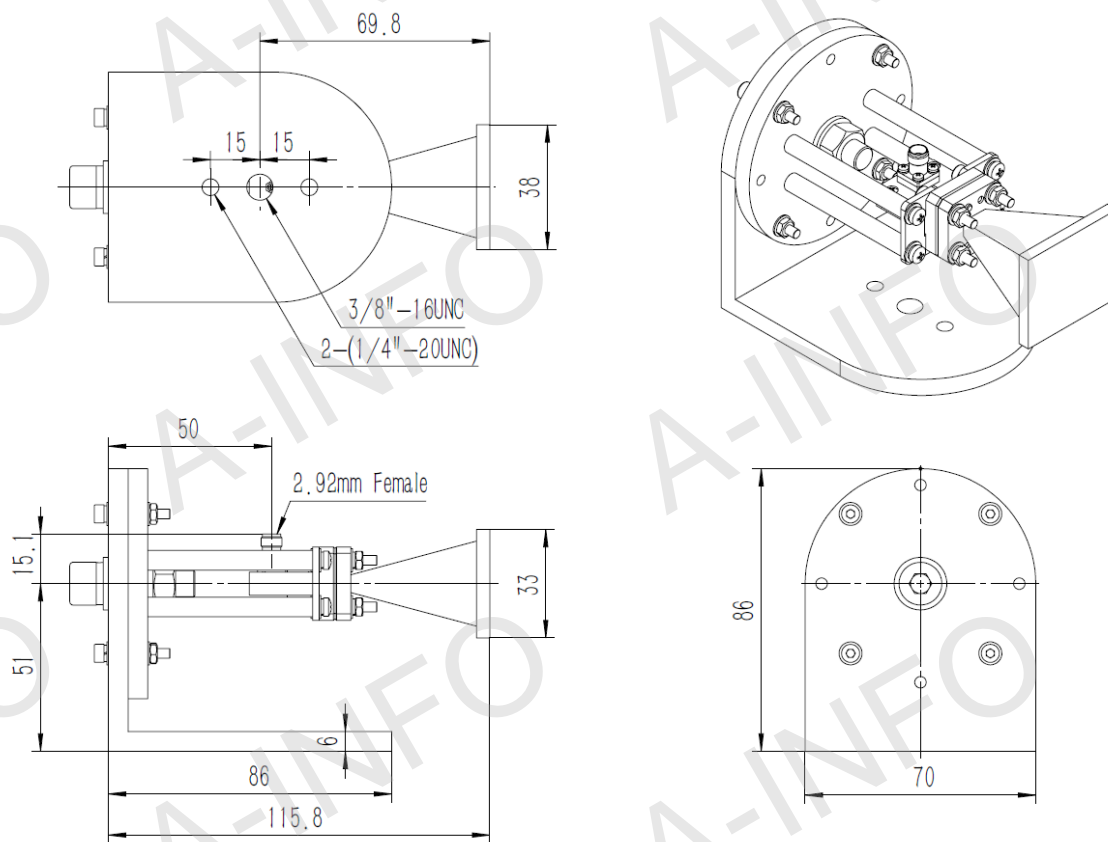
## 2.92mm-Female Output with Round Mounting Bracket and Radome

For 2.4mm-Female output outline drawing, please contact A-INFO.



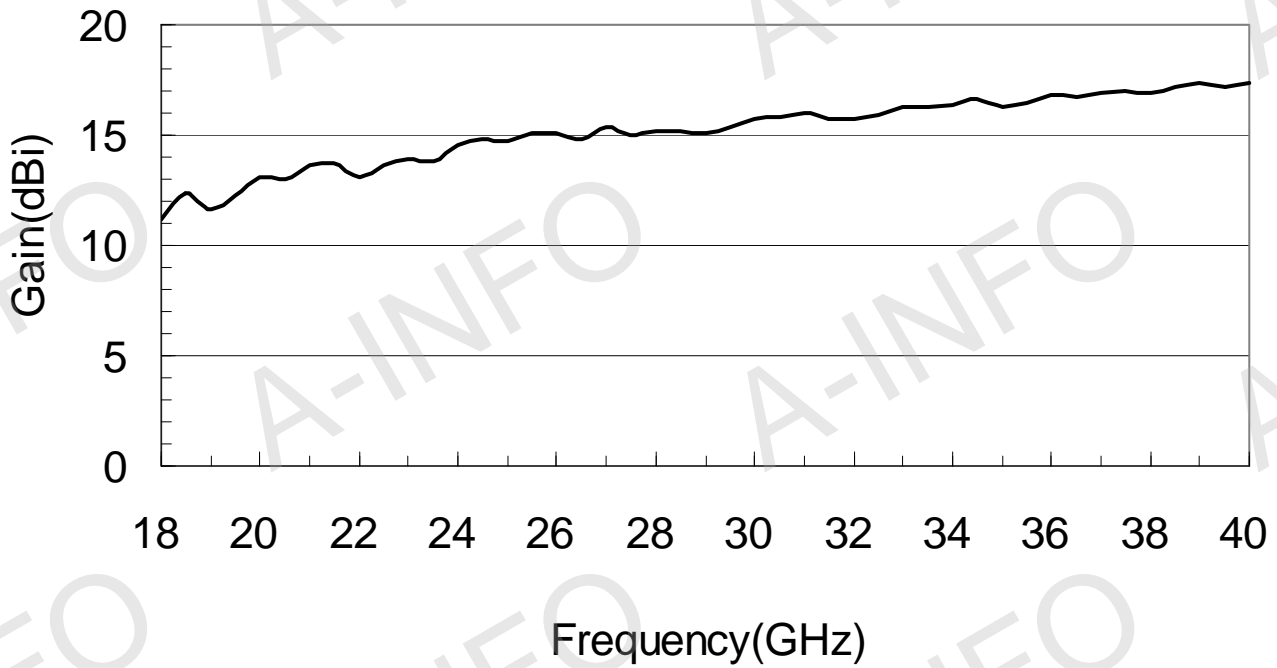
## 2.92mm-Female Output with L type Mounting Bracket and Radome

For 2.4mm-Female output outline drawing, please contact A-INFO.

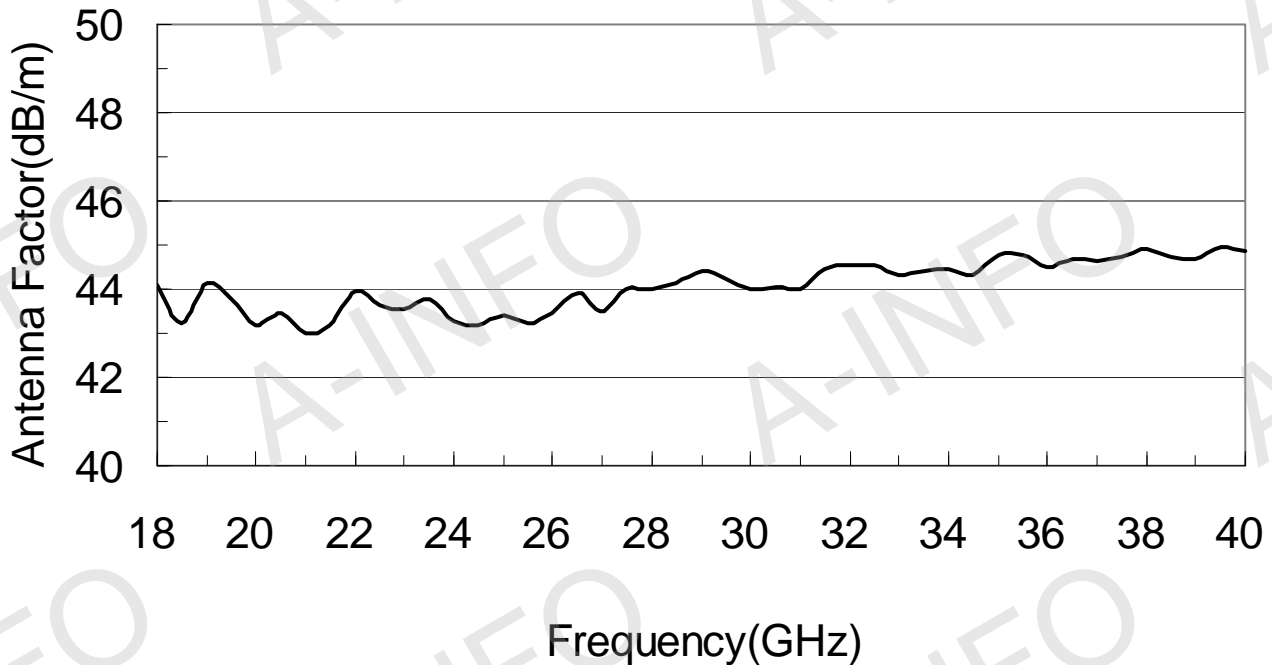


## Test Results

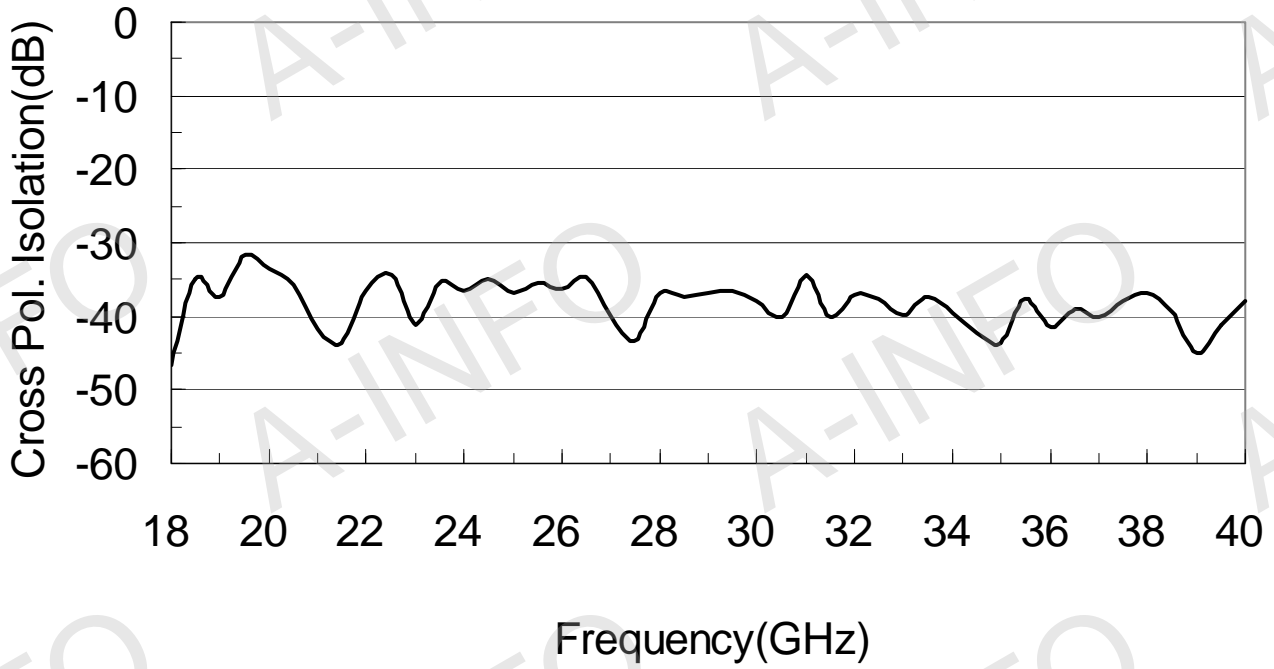
### 1. Gain



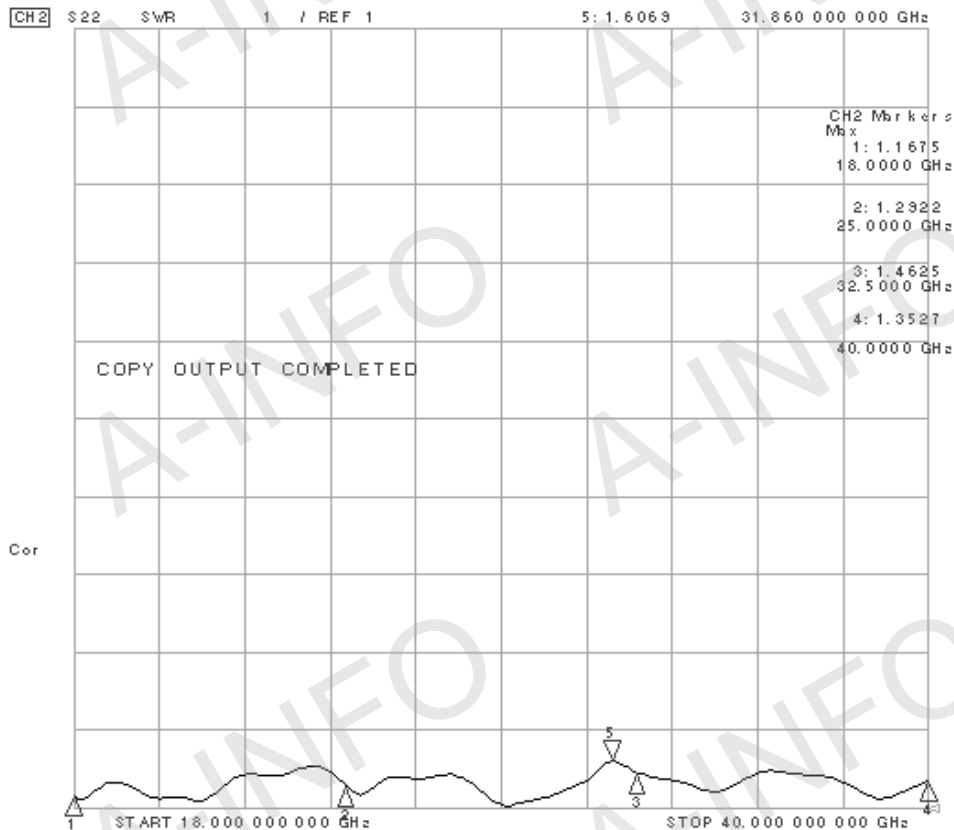
### 2. Antenna Factor



### 3. Cross Polarization Isolation



### 3. VSWR



## 5. Pattern

