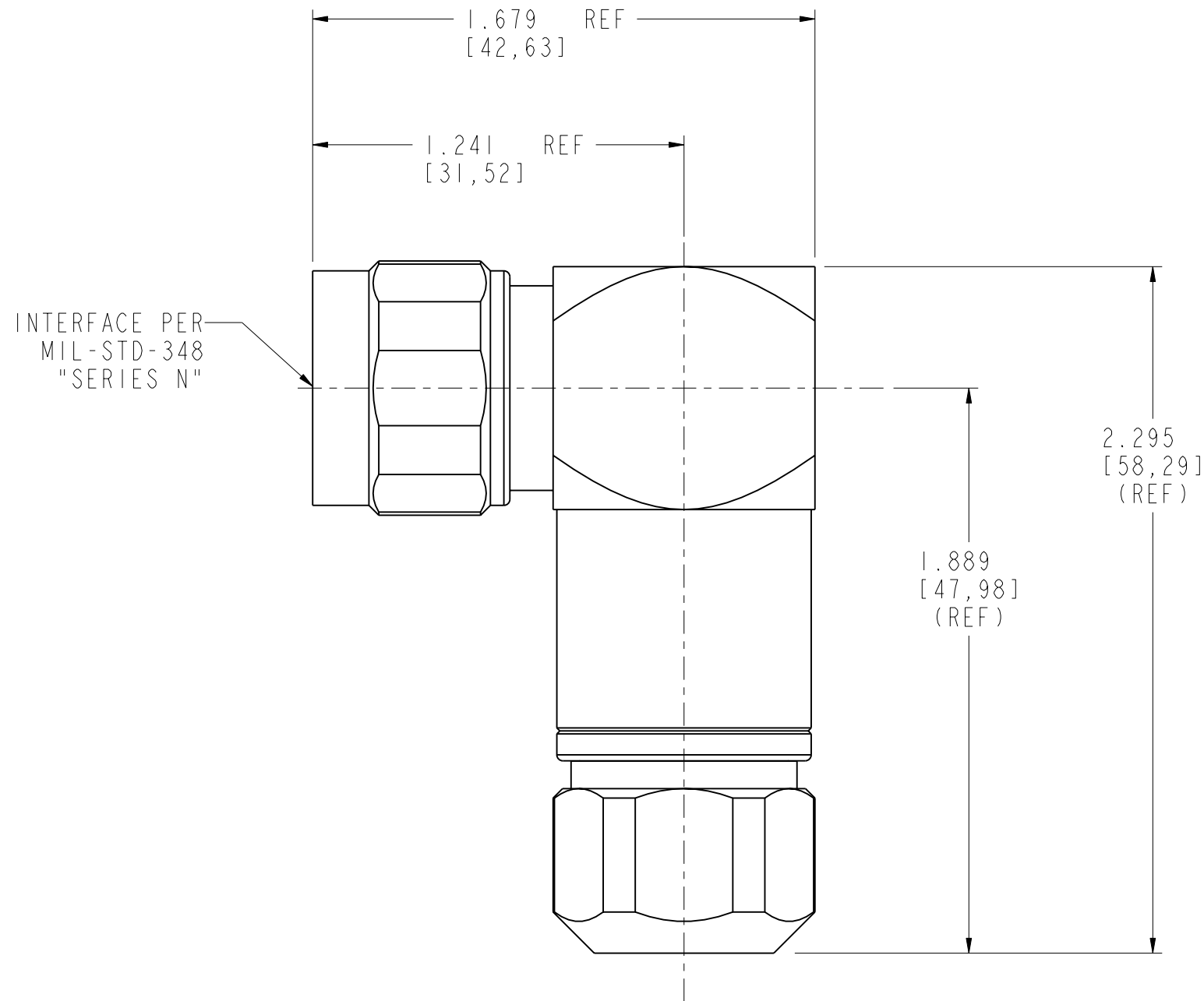


S2PNR-SO		REVISIONS			
DRAWING NO.	REV	DESCRIPTION	DATE	ECO	APPR
THIRD ANGLE PROJ.	A	OFFICIAL ENG. RELEASE TO MFG.	1/13/97	41752	GT



82-6025	1	1	N(M) R/A SFC2	SEE S/A
PART NUMBER	QTY.	ITEM	DESCRIPTION	FINISH

UNLESS OTHERWISE SPECIFIED, DIMENSIONS ARE IN INCHES AND TOLERANCES ARE: 2 PLACE DECIMAL 3 PLACE DECIMAL ANGLES ±.015 (0,381 mm) ±.005 (0,127 mm) ± 1°	MATERIAL	DRAWN G. TILTON	DATE 1/10/97	TITLE "N" MALE RIGHT ANGLE SFC2-50J CABLE	Amphenol Amphenol Corporation Communication and Network Products Division Danbury, CT U.S.A. 06810
	REFERENCE MODEL# S2PNR-SO	ENGINEER G. TILTON	DATE 1/10/97		
NOTICE - These drawings, specifications, or other data (1) are, and remain the property of Amphenol Corp. (2) must be returned upon request; and (3) are confidential and not to be disclosed to any person other than those to whom they are given by Amphenol Corp. The furnishing of these drawings, specifications, or other data by Amphenol Corp., or to any other person to anyone for any purpose is not to be regarded by implication or otherwise in any manner licensing, granting rights or permitting such holder or any other person to manufacture, use or sell any product, process or design, patented or otherwise, that may in any way be related to or disclosed by said drawings, specifications, or other data.	GEN# ASSYM5_N	APPROVED G. TILTON	DATE 1/10/97	SCALE: 2.0:1	SHEET 1 OF 1
	CAD FILE I:\N\S2PNR-SO	CODE ID 74868	DWG SIZE B	DRAWING NO. S2PNR-SO	REV A