

# C-PCI 1,5/2 - Cable lug

3240064

<https://www.phoenixcontact.com/in/products/3240064>



Please be informed that the data shown in this PDF document is generated from our Online Catalog. Please find the complete data in the user documentation. Our General Terms of Use for Downloads are valid.

Pin cable lug, red, 0.5 - 1.5 mm<sup>2</sup>, L1=12 mm



## Your advantages

- "Easy Entry" for easy and reliable conductor entry
- Halogen-free
- Hard-soldered crimping zone for maximum pull-out forces
- Electrogalvanized

## Commercial Data

Item number	3240064
Packing unit	100 pc
Minimum order quantity	100 pc
Sales Key	BH3
Product Key	BH3461
Catalog Page	Page 496 (C-3-2019)
GTIN	4046356452823
Weight per Piece (including packing)	0.8 g
Weight per Piece (excluding packing)	0.75 g
Customs tariff number	85366990
Country of origin	CN

# C-PCI 1,5/2 - Cable lug

3240064

<https://www.phoenixcontact.com/in/products/3240064>



## Technical Data

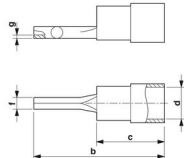
### Product properties

Product type	Connector
--------------	-----------

### Electrical properties

Fuse	yes
------	-----

### Dimensions

Dimensional drawing	
Length	22.5 mm
Length of the insulating material sleeve	10.5 mm
Length contact range	12 mm
Maximum stripping length	7 mm
Min. material thickness	0.75 mm
Inner dimensions of the insulating collar	4.1 mm

### Internal dimensions

Internal diameter	2 mm
-------------------	------

### Material specifications

Color	red
Material	Copper
Flammability rating according to UL 94	V2
Coating	tin-plated
Insulating material	PA
Components	halogen-free

### Environmental and real-life conditions

#### Ambient conditions

Ambient temperature (operation)	-20 °C ... 105 °C
---------------------------------	-------------------

# C-PCI 1,5/2 - Cable lug

3240064

<https://www.phoenixcontact.com/in/products/3240064>



## Drawings

Dimensional drawing



# C-PCI 1,5/2 - Cable lug

3240064

<https://www.phoenixcontact.com/in/products/3240064>



## Classifications

### ECLASS

ECLASS-11.0

27400204

### ETIM

ETIM 8.0

EC001052

### UNSPSC

UNSPSC 21.0

27121700

# C-PCI 1,5/2 - Cable lug

3240064

<https://www.phoenixcontact.com/in/products/3240064>



## Environmental Product Compliance

China RoHS	Environmentally friendly use period: unlimited = EFUP-e
	No hazardous substances above threshold values

Phoenix Contact 2023 © - all rights reserved  
<https://www.phoenixcontact.com>

PHOENIX CONTACT (I) Pvt. Ltd.  
A-58/2, Okhla Industrial Area, Phase - II, New Delhi-110 020

+91.1275.71420  
[info@phoenixcontact.co.in](mailto:info@phoenixcontact.co.in)