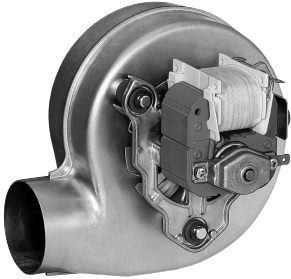


RLG108/0042-3030LH

# AC centrifugal fan

forward-curved, single-intake

with housing (without flange), Gas blower for conventional heating



## ebm-papst Landshut GmbH

Hofmark-Aich-Straße 25

D-84030 Landshut

Phone +49 (0) 871 707-0

Fax +49 (0) 871 707-465

info3@de.ebmpapst.com

www.ebmpapst.com

## Nominal data

Type	RLG108/0042-3030LH	
Phase		1~
Nominal voltage	VAC	230
Frequency	Hz	50
Speed	min <sup>-1</sup>	2400
Power consumption	W	60
Current draw	A	0.52
Max. temp. of flow medium	°C	250
Air flow	m <sup>3</sup> /h	145
Pressure increase	Pa	300

ml = Max. load · me = Max. efficiency · fa = Free air · cs = Customer specification · ce = Customer equipment  
Subject to change



RLG108/0042-3030LH

# AC centrifugal fan

forward-curved, single-intake

with housing (without flange), Gas blower for conventional heating

## Technical description

Weight	1.6 kg
Insulation class	"H"
Cable	Flat plug 6.3 x 0.8



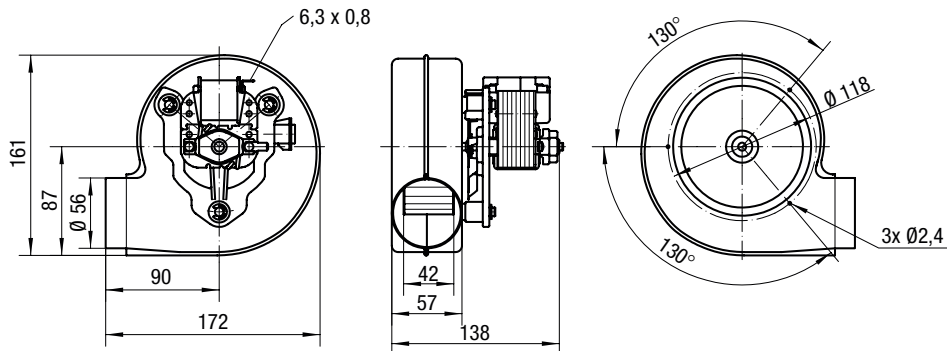
RLG108/0042-3030LH

# AC centrifugal fan

forward-curved, single-intake

with housing (without flange), Gas blower for conventional heating

## Product drawing



# AC centrifugal fan

forward-curved, single-intake

with housing (without flange), Gas blower for conventional heating

## Curves: Air performance

