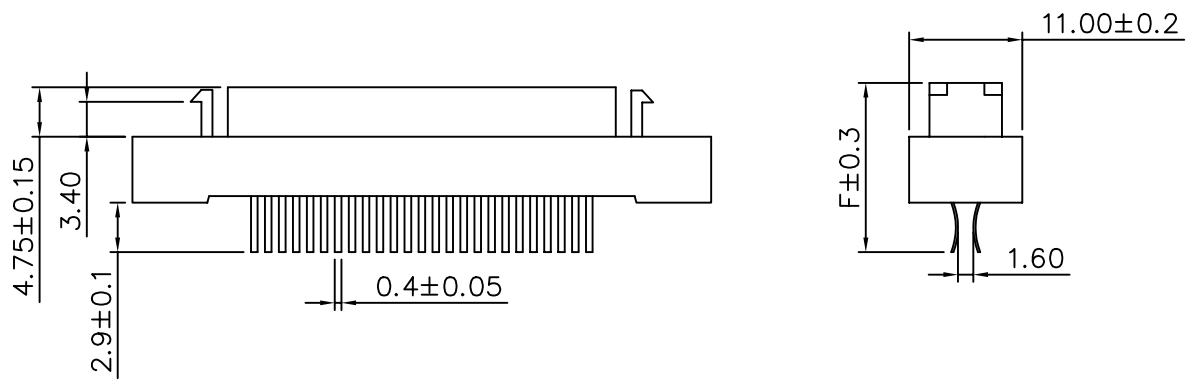
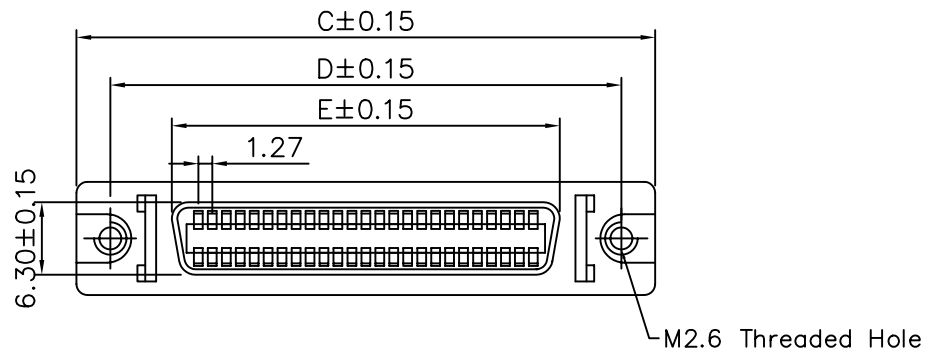


SPECIFICATION

Current Rating: 1A
 Insulation Resistance : 500 Megohms/Min.
 Withstanding Voltage : 500V AC/RMS For 1 Minute
 Contact Resistance : 35 Milliohms Max.
 Temperature Range : -55°C To +105°C
 Housing : Plastic Thermoplastic
 P.B.T UL 94V-0, Black
 Contact: Phosphor Bronze Gold Selective Plated
 Front Shell : Steel, Nickel Plated Over Copper
 Bracket: Steel, Nickel Plated Over Copper



Circuits	A	B	C	D	E	F
20	20.00	16.60	33.38	27.44	16.44	12.60
26	24.00	20.25	37.20	31.20	20.25	12.40
36	30.40	26.70	43.50	37.60	26.60	12.40
50	39.30	35.50	52.60	46.80	35.50	12.40
68	50.60	46.93	64.00	57.90	46.93	12.40



DRAWING No.
 HPC026SE

APPROVED BY MEI
 CHECKED BY RAN
 DRAWING BY HZF

UNLESS OTHERWISE SPECIFIED TOLERANCES ARE
 .X ± 0.38
 .XX ± 0.25
 AWG.

SCALE	NONE	REV.	A	UNIT	mm	AREA	REVISIONS	CHK	DATE
-------	------	------	---	------	----	------	-----------	-----	------