



PRINCIPAL SPECIFICATIONS

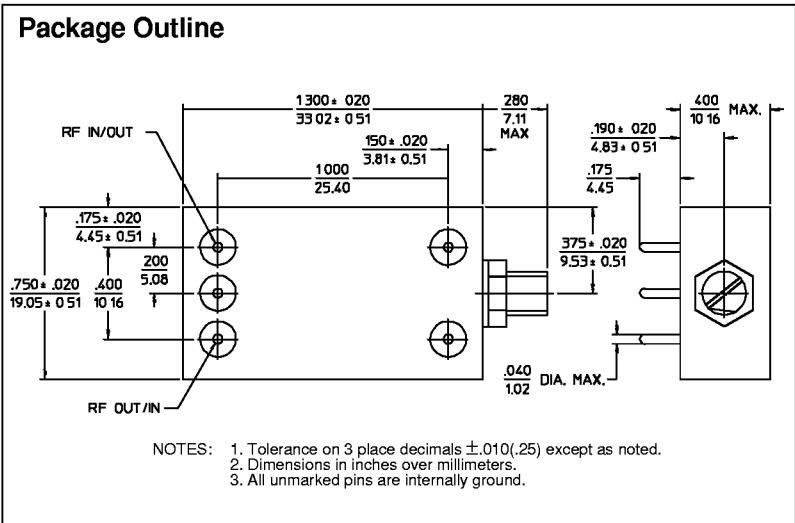
Model Number	Center Frequency f_0 , MHz	Usable Bandwidth
PSS-2B-**B	10 to 400	$f_0 \pm 5\%$

For complete Model Number replace ** with desired center Frequency, f_0 in MHz.

GENERAL SPECIFICATIONS

Phase Shift Range:	90° min. @ f_0
Insertion Loss:	1.5 dB max.
Impedance:	50 Ω nom.
VSWR:	1.6:1 max.
Screw Drive:	Multi-turn
(insertion phase increases with clockwise rotation)	
Turns for max. Shift:	18 turns nom.
CW Power:	0.5 Watts max.
Package:	PC Plug-In
Weight, nominal:	1.1 oz. (31 g)
Operating Temp:	-55° to +85°C

Package Outline



General Notes:

1. The PSS-2B series consists of PC mountable phase shifters with continuous multi-turn adjustment from 0° to at least 90°.
2. This series employs lumped element quadrature hybrids with capacitor tuned LC networks acting as sliding short circuits on the outputs. The electrical length of the short effectively delays the reflected signal that appears at the isolated port of the quadrature hybrid.
3. Similar Phase Shifters are available in a variety of connectorized packages as well as electronically tuned models in flatpacks and surface mounts.

15Feb96

Typical Performance

