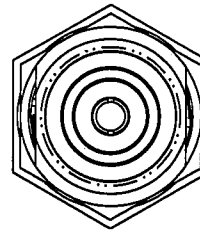
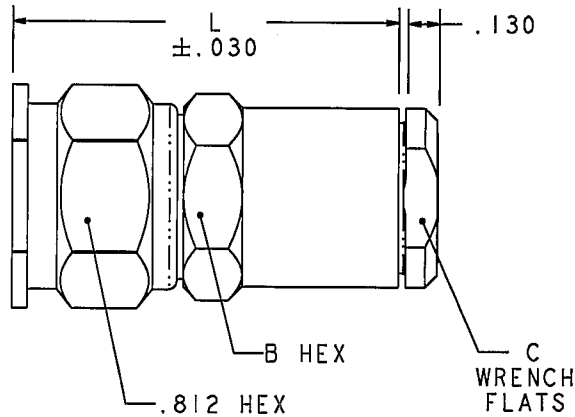


# RED INDICATES ORIGINAL

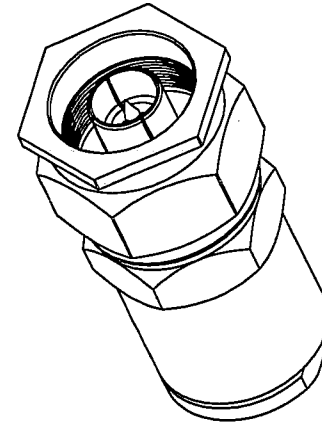
TABLE I						
DASH NO	CABLE ACCOMMODATED	A	B	C	L	ASSEMBLE PER
-1	TIMES LMR-400	.750	.750	.625	1.627	SHEET 3
-2	TIMES LMR-500	1.00	1.00	.875	1.637	
-3	TIMES LMR-600					

DATA CONTAINED IN THIS DOCUMENT IS PROPRIETARY TO TROMPETER ELECTRONICS INC. AND SHALL NOT BE DISCLOSED, COPIED OR USED FOR PROCUREMENT OR MANUFACTURE WITHOUT EXPRESS WRITTEN PERMISSION

REVISIONS				105-1636	SH 1
REV	ECO NO.	DESCRIPTION	DWN	APPROVED	DATE
E	11930	-2 AND -3 OVER ALL DIM WAS 1.687	J S	<i>[Signature]</i>	4/6/04

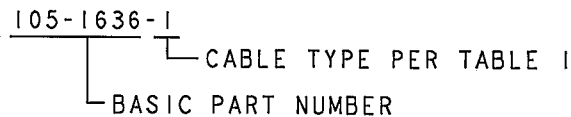


- 1 SHOWN



INCH	MM
.005	.127
.030	.762
.130	3.30
.625	15.88
.750	19.05
.812	20.62
.875	22.23
1.00	25.40
1.627	41.33
1.637	41.58

4. EXAMPLE OF COMPLETE PART NO.



3. 50Ω COAXIAL TYPE "N" CABLE PLUG WITH HEX COUPLING SLEEVE FOR CABLE(S) PER TABLE I
2. FINISH: TFS-1M (SILVER) SPRING FINGERS & COUPLING SLEEVE  
TFS-1A (NICKEL) BALANCE
1. ALL DIMS ARE IN INCHES

QTY	DESCRIPTION	PART NUMBER	ITEM
TOL UNLESS SPECIFIED .XX # .XXX # .005 .XXXX # ANGLE #		TROMPETER ELECTRONICS, INC.®	PL95 SPECIAL
DWG	J S 3/7/97	MATERIAL	CODE IDENT
CHK	<i>[Signature]</i> 4/6/04	14949	DRAWING NO.
ENGR	<i>[Signature]</i> 4/6/04		105-1636
NEXT ASSY	APPR <i>[Signature]</i> 4/6/04	SCALE 2/1	DATE 11/2/95
			SHEET 1 C