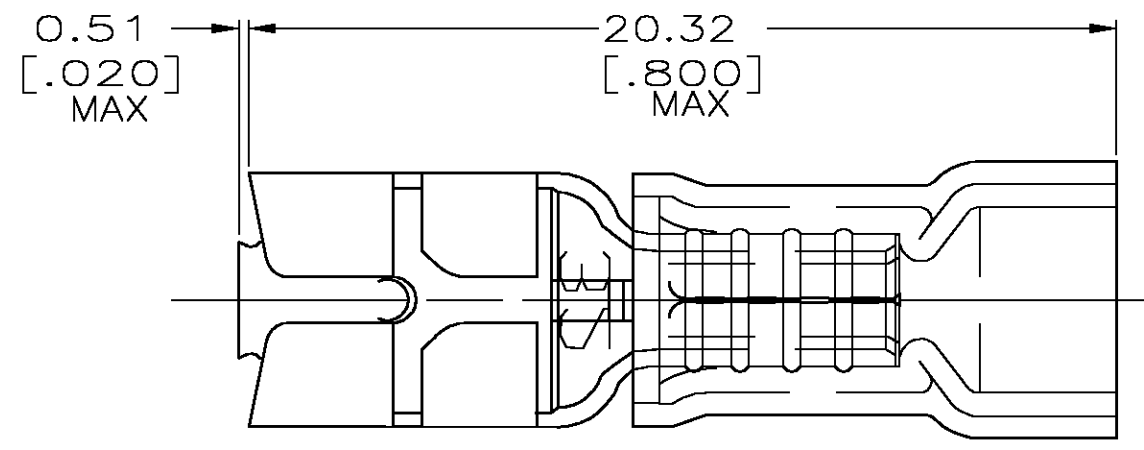


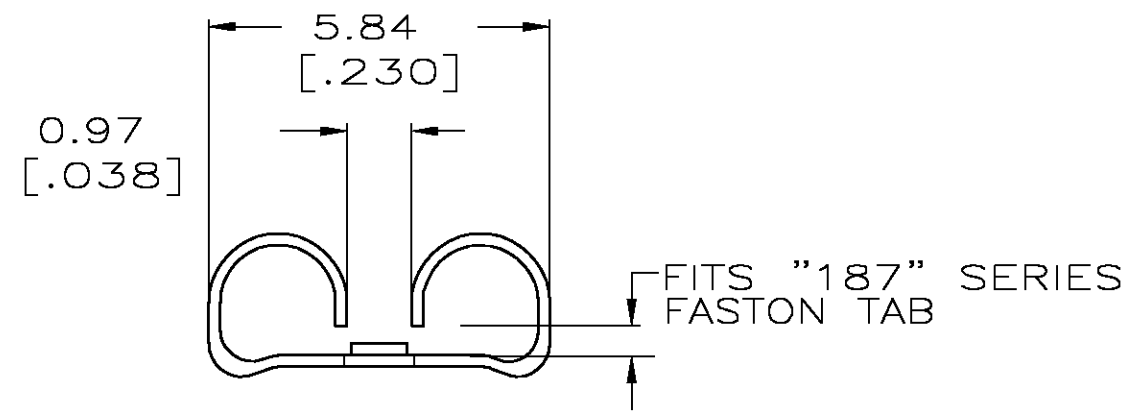
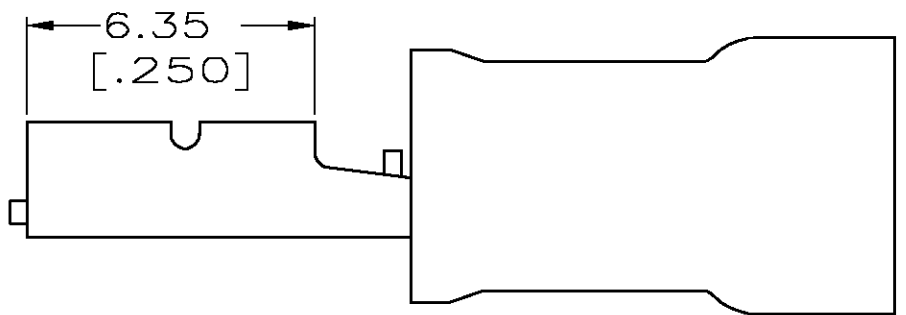
THIS DRAWING IS UNPUBLISHED. RELEASED FOR PUBLICATION
 © COPYRIGHT BY TYCO ELECTRONICS CORPORATION. ALL RIGHTS RESERVED.

LOC	DIST	REVISIONS			
P	LTR	DESCRIPTION	DATE	DWN	APVD
G	14	E1	RENUMBERED P/N'S IN SEQUENCE	10OCT03	JR TM

AMP
 WIRE SIZE
 22-18 AWG
 STRANDED



- 1. INSULATION DIA 3.43 [.135] MAX
- 2. FITS TAB 0.81 [.032] THK
- △3 EASIER INSERTION
- △4 PRELIMINARY - NOT FOR PRODUCTION



△3	4000	PVC, BLACK	ON TAPE, REEL	△4	2-184268-2
△3	1000	PVC, BLACK	LOOSE PIECE	△4	2-184268-1
	4000	NYLON, RED	ON TAPE, REEL	△4	1-184268-2
	1000	NYLON, RED	LOOSE PIECE	△4	1-184268-1
	4000	NYLON, RED	TAPE MOUNTED		184268-2
	1000	NYLON, RED	LOOSE PIECE		184268-1
QTY	SLEEVE MATL./COLOR	PACKAGE TYPE	PART NO		

THIS DRAWING IS A CONTROLLED DOCUMENT.		DWN L OLMEDA 29MAY96	Tyco Electronics Corporation Harrisburg, PA 17105		
DIMENSIONS: MM		CHK M ELLIS 29MAY96	NAME RECEPTACLE, 187 SERIES, LOW INSERTION FORCE, FASTON, PIDG, WIRE SIZE: 22-18 AWG		
		APVD B BARE 29MAY96	PRODUCT SPEC -		
TOLERANCES UNLESS OTHERWISE SPECIFIED:		APPLICATION SPEC -		SIZE A3	RESTRICTED TO -
MATERIAL BODY, BRASS .016		FINISH BODY, TIN		CAGE CODE 00779	DRAWING NO C-184268
CUSTOMER DRAWING			SCALE 1:1	SHEET 1 OF 1	REV E1