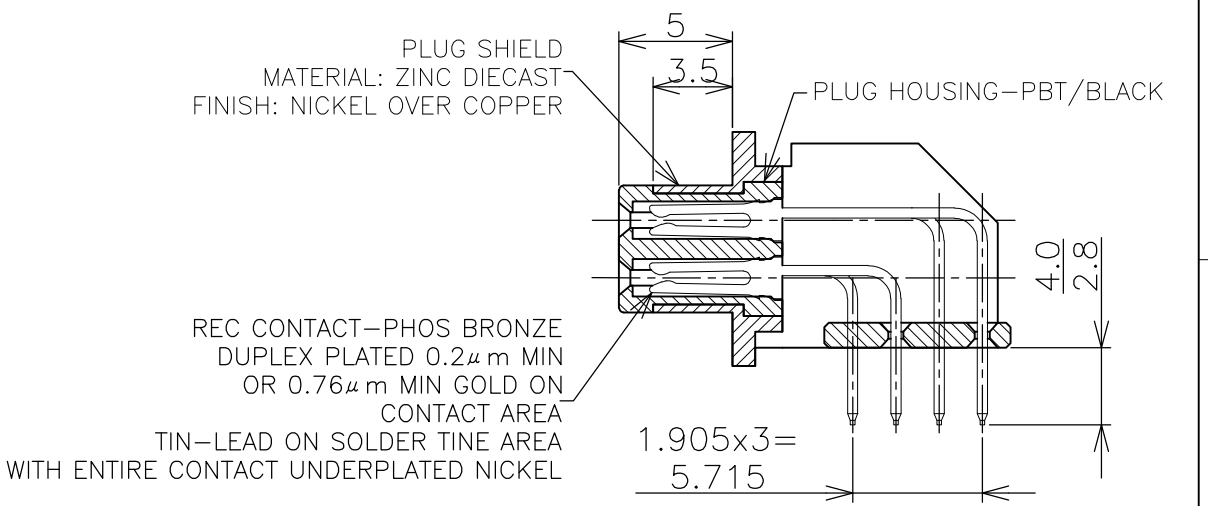
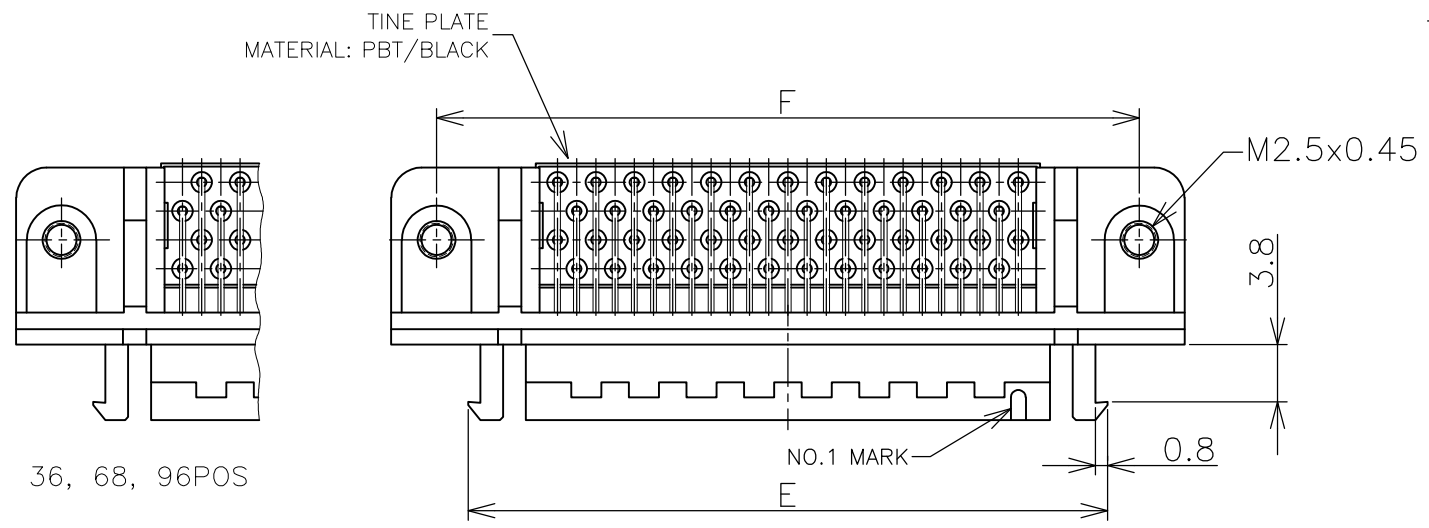


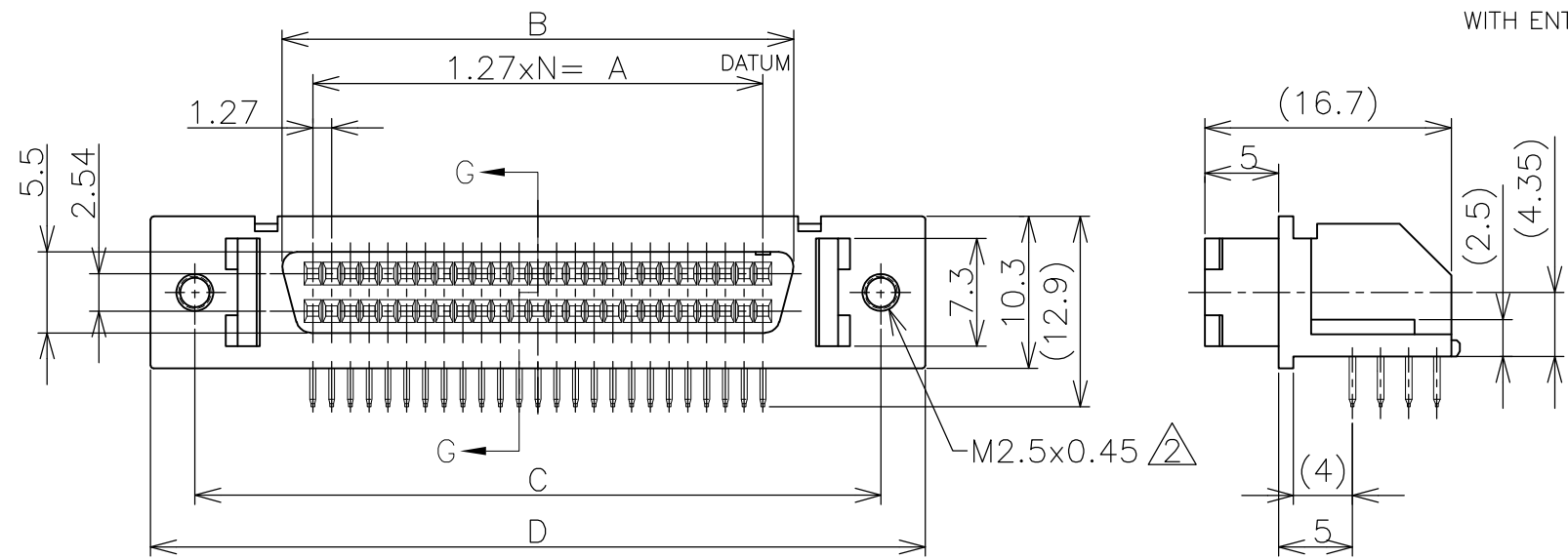
THIS DRAWING IS UNPUBLISHED. RELEASED FOR PUBLICATION SEP, 1994.
 © COPYRIGHT 1994 BY TYCO ELECTRONICS CORPORATION. ALL RIGHTS RESERVED.

LOC	DIST	REVISIONS			
P	LTR	DESCRIPTION	DATE	DWN	APVD
J					
J		REVISED ECR-05-011201	16SEP05	L.Z	S.Y
J1		REV PER ECO-10-000443	18JAN10	KK	AEG

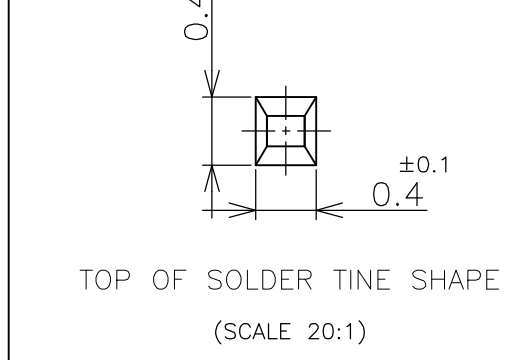
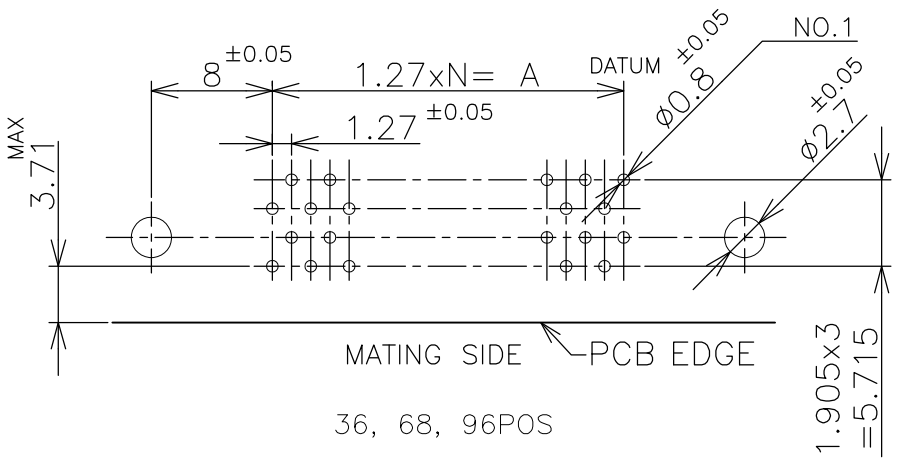
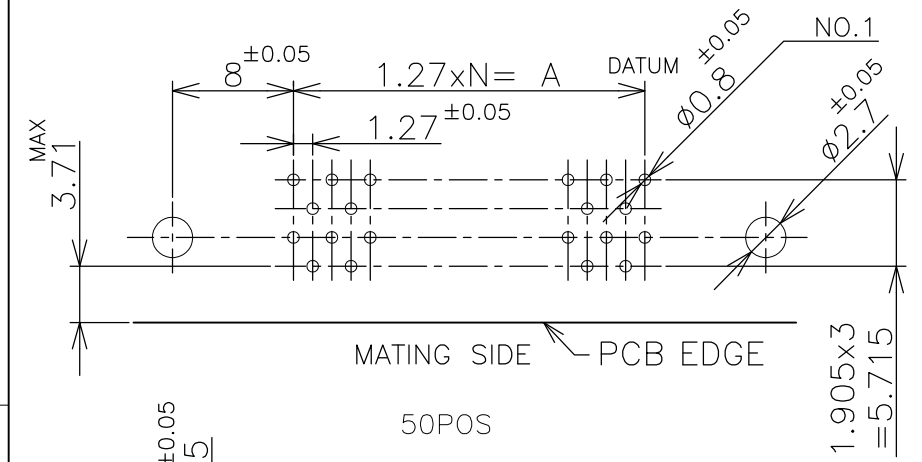
-4; AS SHOWN



PLUG SHIELD MATERIAL: ZINC DIECAST FINISH: NICKEL OVER COPPER
 PLUG HOUSING-PBT/BLACK
 REC CONTACT-PHOS BRONZE DUPLEX PLATED 0.2µm MIN OR 0.76µm MIN GOLD ON CONTACT AREA TIN-LEAD ON SOLDER TINE AREA WITH ENTIRE CONTACT UNDERPLATED NICKEL
 G-G (SCALE 3:1)



- 1 P.C BOARD HOLE LAY-OUT SEE FIG.1 AND QTY OF HOLE MUST BE COUNTED UP FROM DATUM LINE.
- 2 USED SCREW SIZE; M2.5x0.45
- 3 CONNECTOR TO BE MATED:
X-174731-X, X-175707-X.
- 4 OBSOLETE PARTS: OBSOLETE CIS STREAMLINING PER D.RENAUD/D.SINISI



P.C. BOARD MOUNTING DIMENSIONS FIG.1

GENERAL TOLERANCE

10 ≥ :	±0.2
30 ≥ > 10:	±0.25
100 ≥ > 30:	±0.3
ANGLES :	±3°

THIS DRAWING IS A CONTROLLED DOCUMENT.

DIMENSIONS: MM	TOLERANCES UNLESS OTHERWISE SPECIFIED:
	0 PLC ± -
	1 PLC ± -
	2 PLC ± -
	3 PLC ± -
	4 PLC ± -
MATERIAL SEE TABLE	ANGLES FINISH ± -

OBSOLETE	0.00076 MIN	68	33	41.91	46.08	57.9	63.9	53.71	57.9	2-	-5
		50	24	30.48	34.65	46.5	52.5	42.28	46.5	2-	-4
OBSOLETE	0.0002 MIN	36	17	21.59	25.76	37.6	43.6	33.39	37.6	2-	-3
		68	33	41.91	46.08	57.9	63.9	53.71	57.9		-5
		50	24	30.48	34.65	46.5	52.5	42.28	46.5		-4
		36	17	21.59	25.76	37.6	43.6	33.39	37.6		174726-3
CONTACT GOLD PL.	POS	N	A	B	C	D	E	F			PART NO.

THIS DRAWING IS A CONTROLLED DOCUMENT.

DWN T.KAWAMAE 29MAR02
 CHK I.ENOMOTO 29MAR02
 APVD I.ENOMOTO 29MAR02

tyco Electronics Tyco Electronics AMP K.K. Kawasaki, Japan

NAME: PLUG HEADER (HORIZONTAL/M2.5) AMPLIMITE .050 SERIES II CONNECTOR TYPE A

PRODUCT SPEC: 108-5238-2

APPLICATION SPEC

SIZE: A3 CAGE CODE: 00779 DRAWING NO: C-174726 RESTRICTED TO

WEIGHT

CUSTOMER DRAWING SCALE: 2:1 SHEET: 1 OF 1 REV: J1