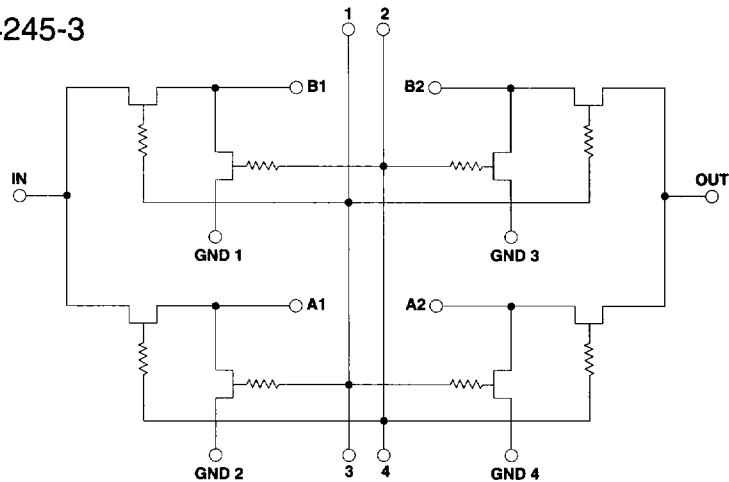
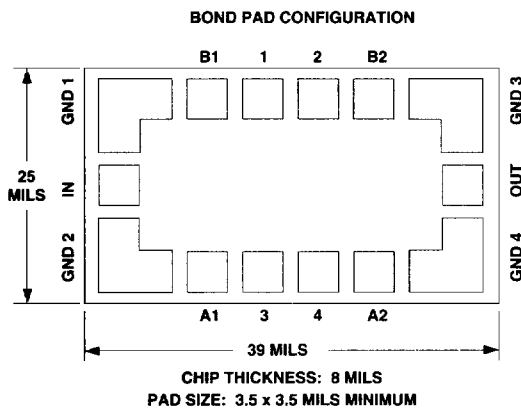
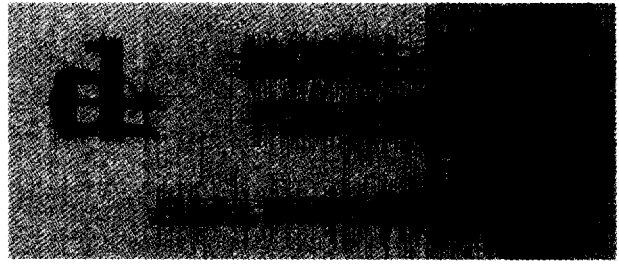


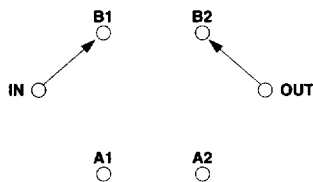
## FEATURES

- DC - 6 GHz Frequency Range
- 5 nSec Switching Speed
- Low Insertion Loss
- Ultra Low DC Power Consumption
- Cascadable Building Block For:  
Digital Attenuators, Digital Phase Shifters  
and Digital Switched Filter Elements
- Plastic Package Available-P/N P35-4245-3

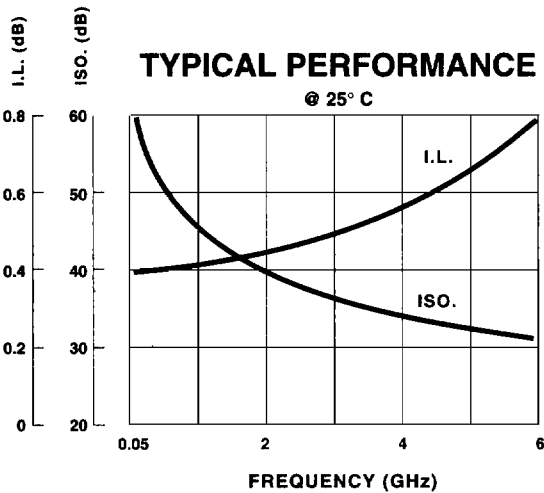


**MMIC**

RESISTORS ARE 2 K OHMS  
SERIES FETS ARE 600  $\mu$ m  
SHUNT FETS ARE 200  $\mu$ m



LOGIC TABLE			
PAD 1 OR 3	PAD 2 OR 4	IN-B1/OUT-B2	IN-A1/OUT-A2
0V	-5V	LOW LOSS	ISOLATED
-5V	0V	ISOLATED	LOW LOSS



## GUARANTEED PERFORMANCE

@ 25° C

PARAMETER	MIN	TYP	MAX	UNITS	CONDITIONS
OPERATING FREQUENCY	DC		6	GHz	
CONTROL VOLTAGE					SEE LOGIC TABLE
INSERTION LOSS (IN - B1/A1 B2/A2-OUT)		0.4 0.5 0.6 0.8	0.5 0.6 0.7 0.9	dB	DC TO 1 GHz DC TO 2 GHz DC TO 4 GHz DC TO 6 GHz
ISOLATION (A1/B1, A2/B2 TERM. IN 50 $\Omega$ )	50 45 40 35	55 50 45 40		dB	DC TO 1 GHz DC TO 2 GHz DC TO 4 GHz DC TO 6 GHz
VSWR	1.17/1 1.22/1 1.43/1 1.67/1				DC TO 1 GHz DC TO 2 GHz DC TO 4 GHz DC TO 6 GHz
IMPEDANCE		50		OHMS	
SWITCHING SPEED		5		nSEC	
RF POWER:	D/-8V CONTROL	+21 +27		dBm dBm	1.0 dB COMPRESSION @ 50 MHz 1.0 dB COMP. ABOVE 500 MHz