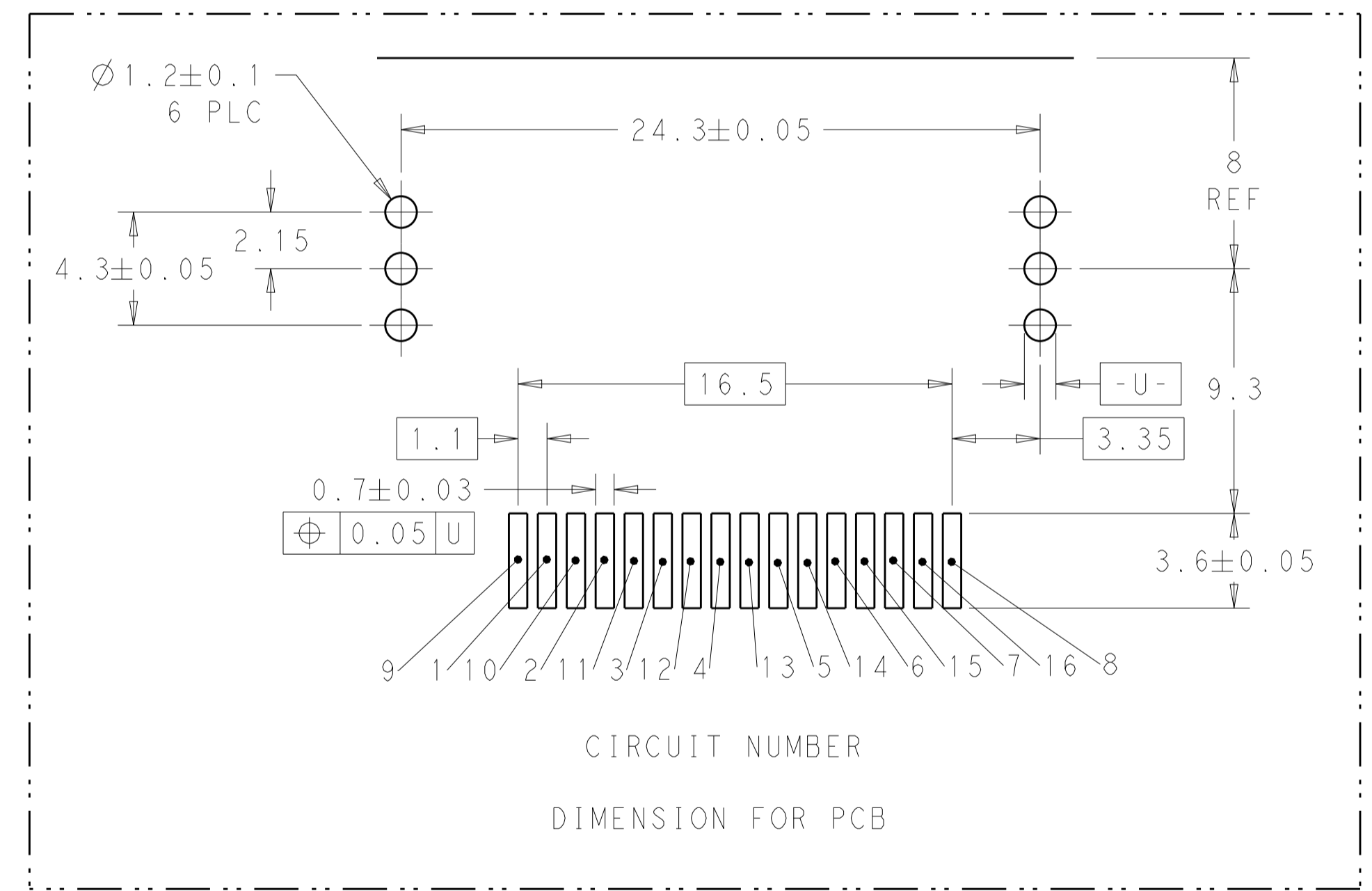
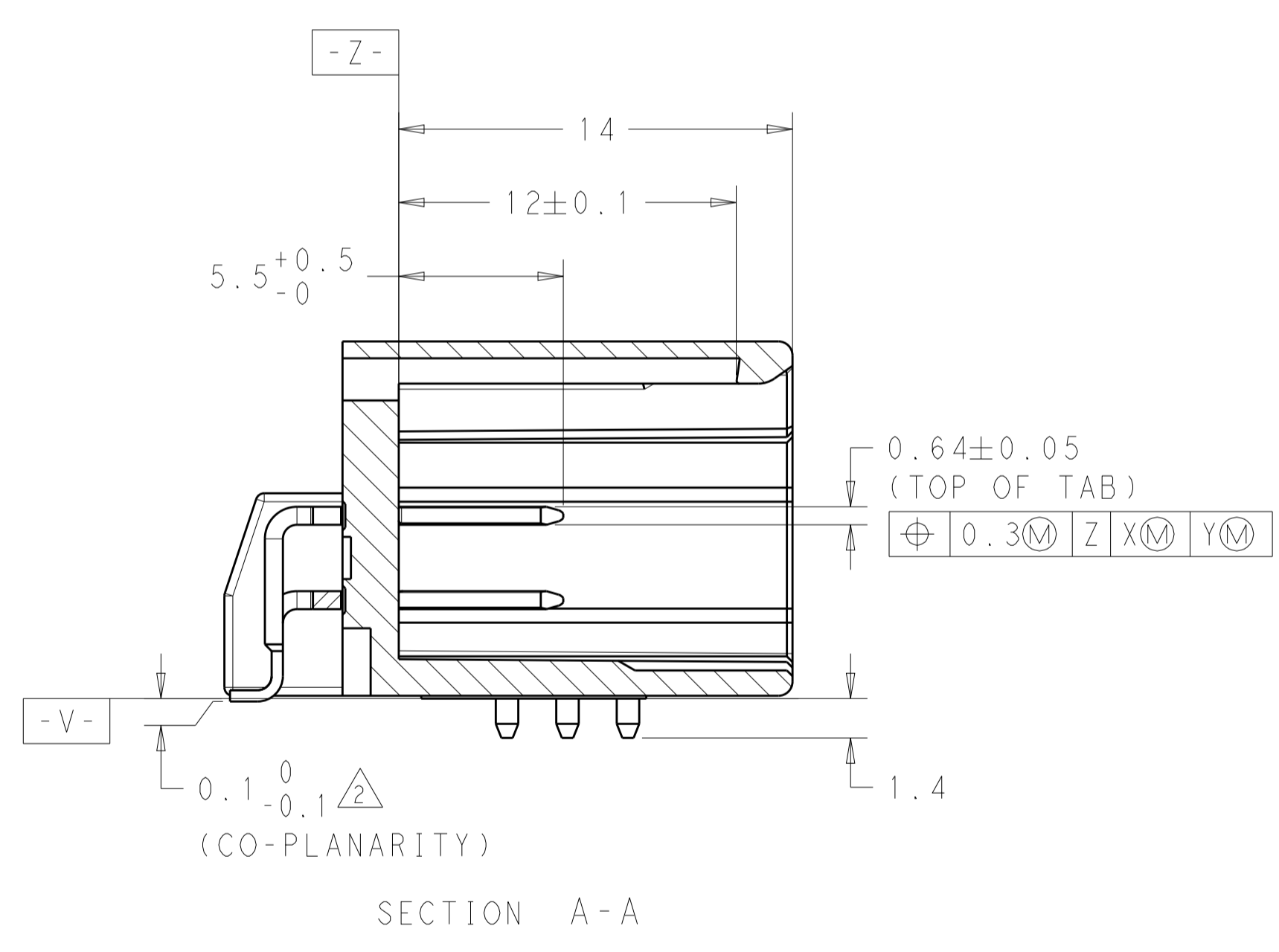
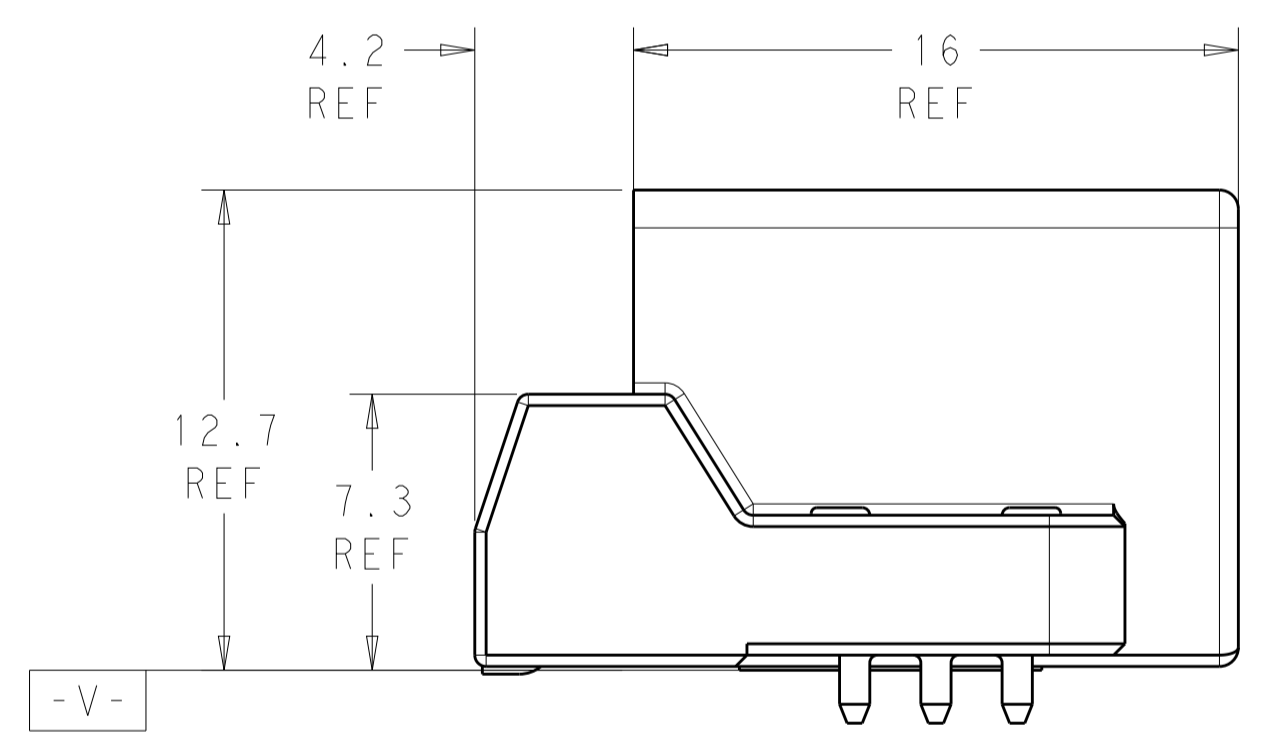
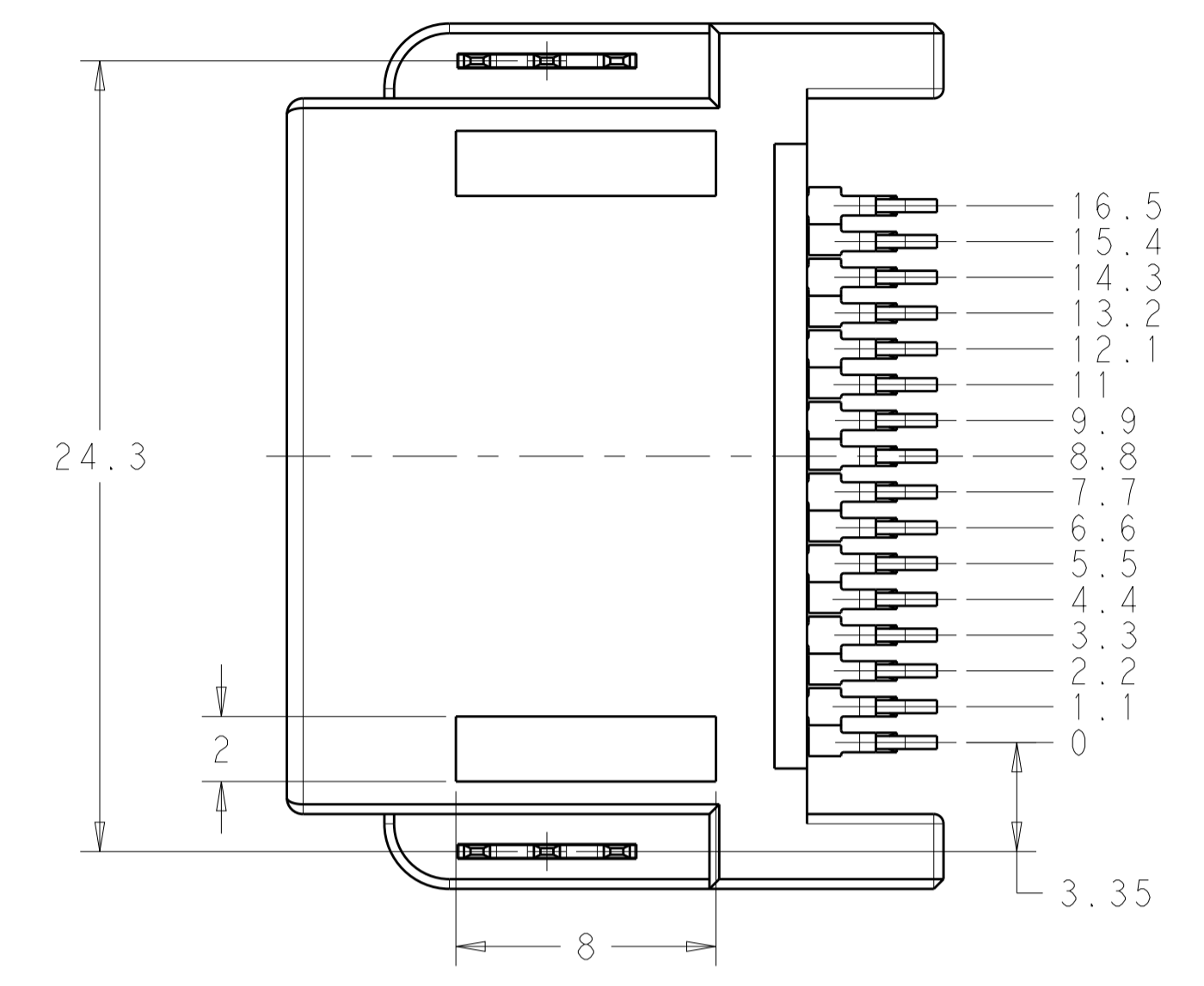
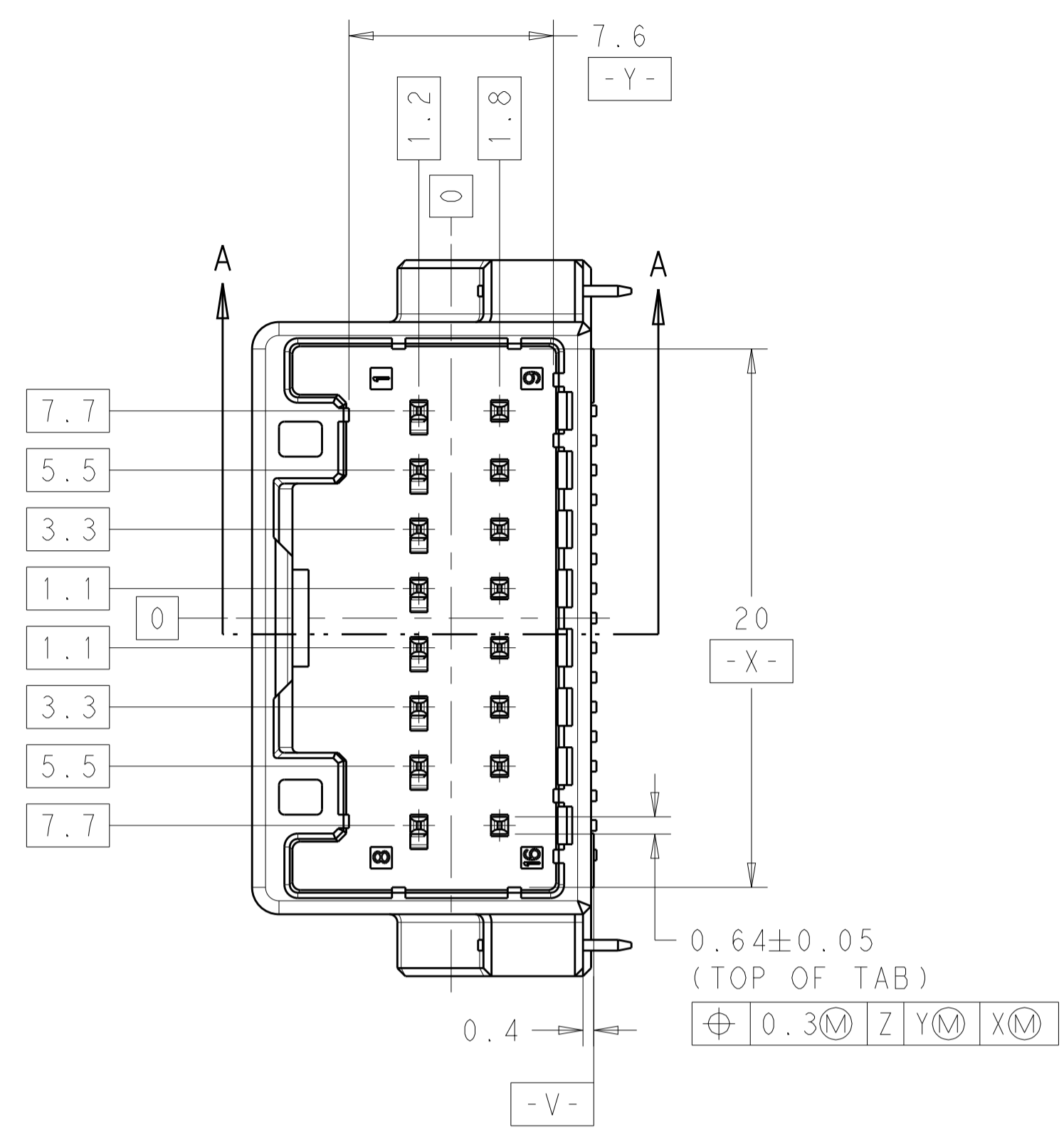
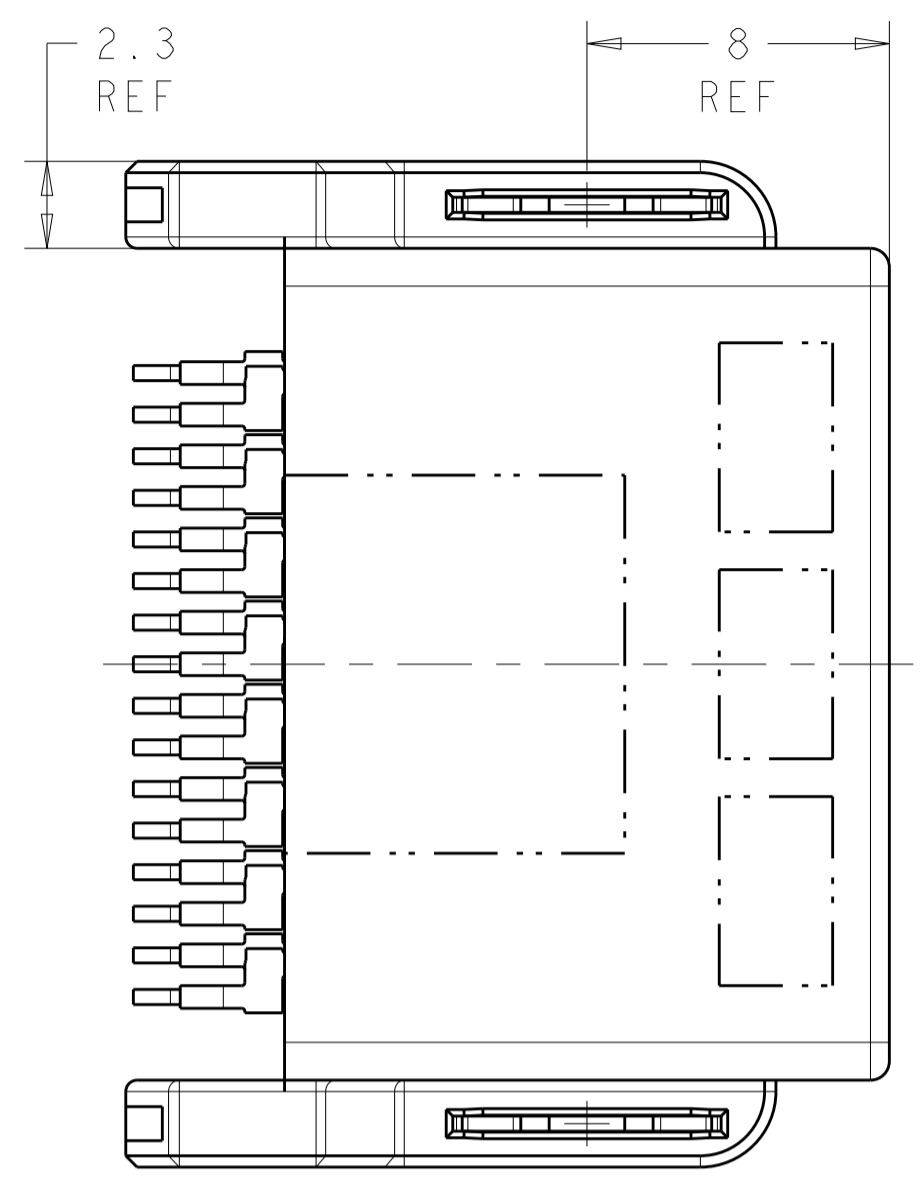
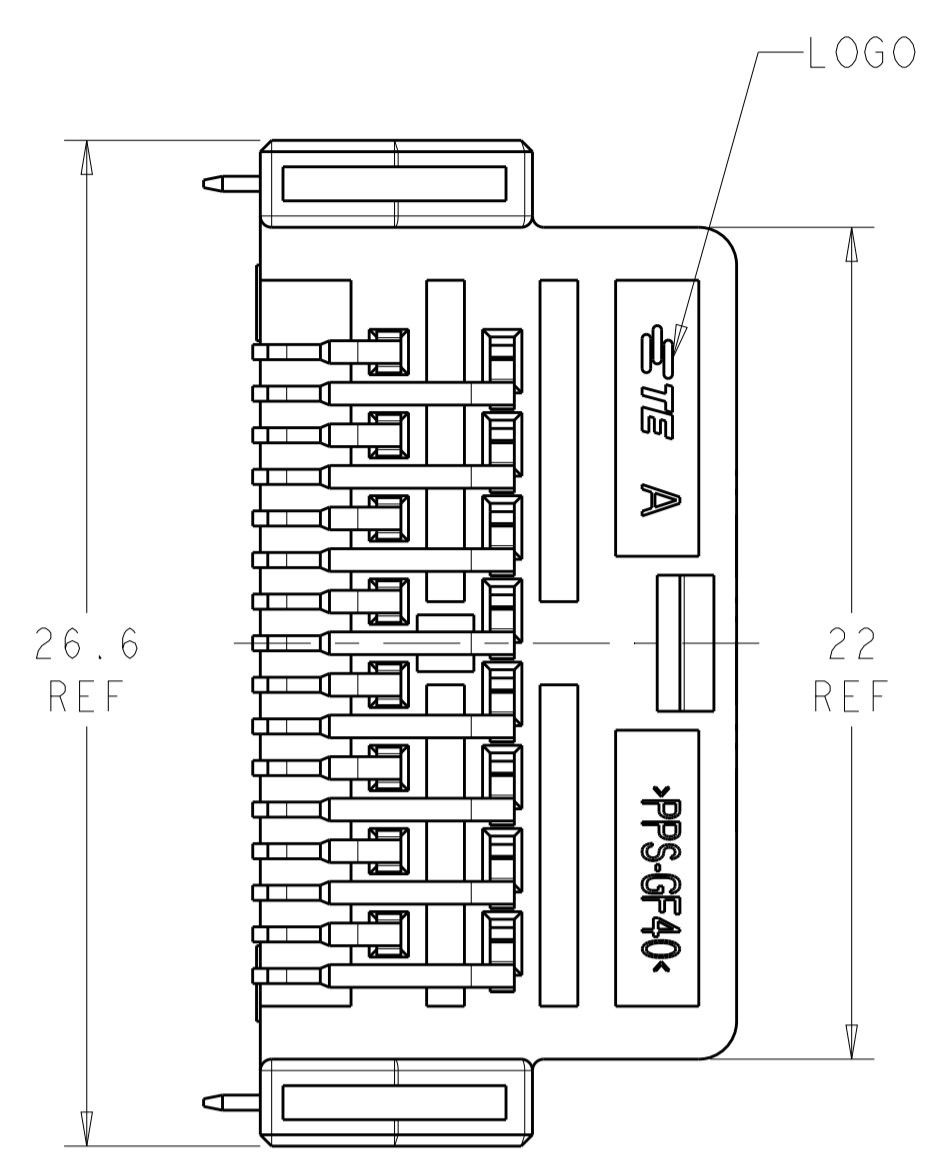
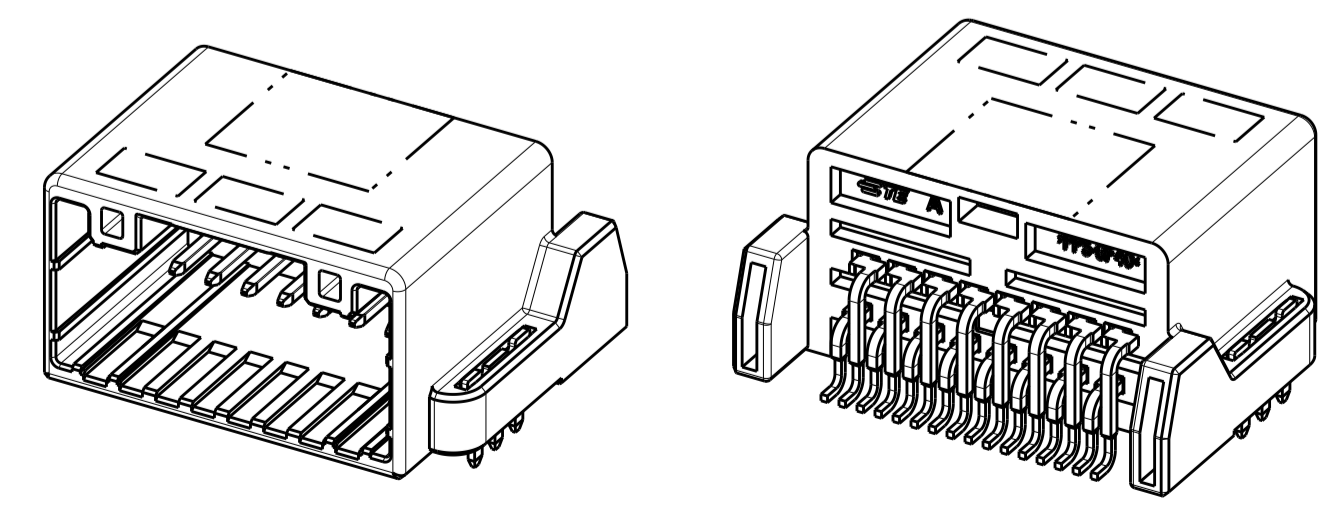
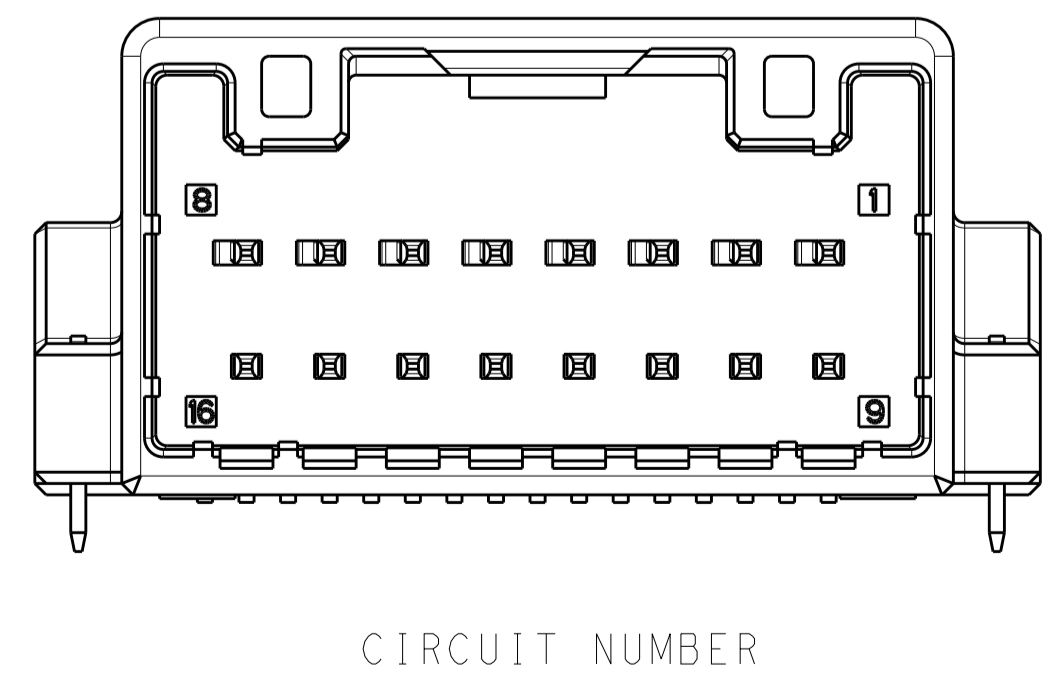


REVISIONS				
P.	LTM	DESCRIPTION	DATE	APPROV
A		NPR ECO-16-009835	29JUN2016	JC JL
A1		REVISED ECR-16-012540	01SEP2016	JC LSF

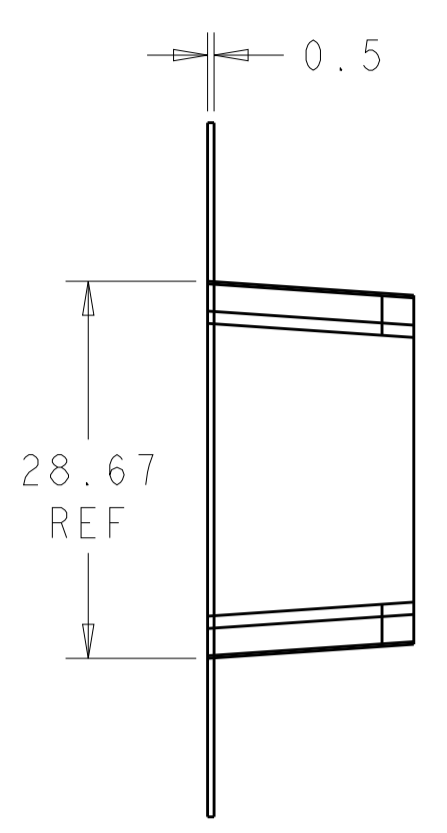


NOTE:
 1. PACKAGING : 15" TAPE & REEL
 THIS DIMENSION IS MEASURED FROM LOWEST PIN TO HIGHEST PIN ALL PINS TO BE BELOW DATUM V

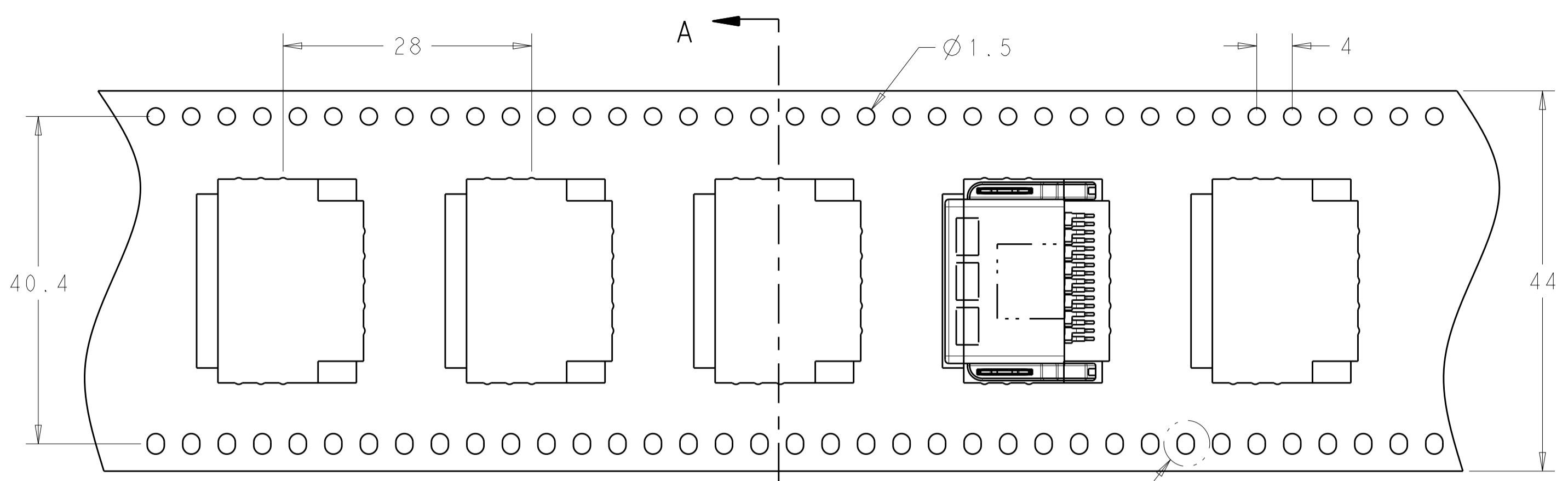


BRASS	POST TIN OVER NI	BRASS	POST TIN OVER NI	PPS	BLACK	2291174-1
MATERIAL	PLATING	MATERIAL	PLATING	MATERIAL	COLOR	PART NUMBER
SOLDER PEG		CONTACT		HOUSING		
THIS DRAWING IS A CONTROLLED DOCUMENT.				DWN: JASON CHOW 29JUN2016		TE Connectivity
DIMENSIONS: mm				CHK: JIL LIM 29JUN2016		
TOLERANCES UNLESS OTHERWISE SPECIFIED:				APPD: SE LEONG 29JUN2016		NAME: 16 POSITION CAP ASSEMBLY SIZE: CAGE CODE: DRAWING NO: A100779C=2291174 WEIGHT: 4.1g CUSTOMER DRAWING
0 PLC ±0.3				PRODUCT SPEC		
1 PLC ±0.3				APPLICATION SPEC		
2 PLC ±0.3				RESTRICTED TO		
3 PLC ±0.3				SCALE: 5:1		
4 PLC ±0.3				SHEET 1 OF 2		
ANGLES ±0.3				REV: A1		
FINISH: SEE TABLE						

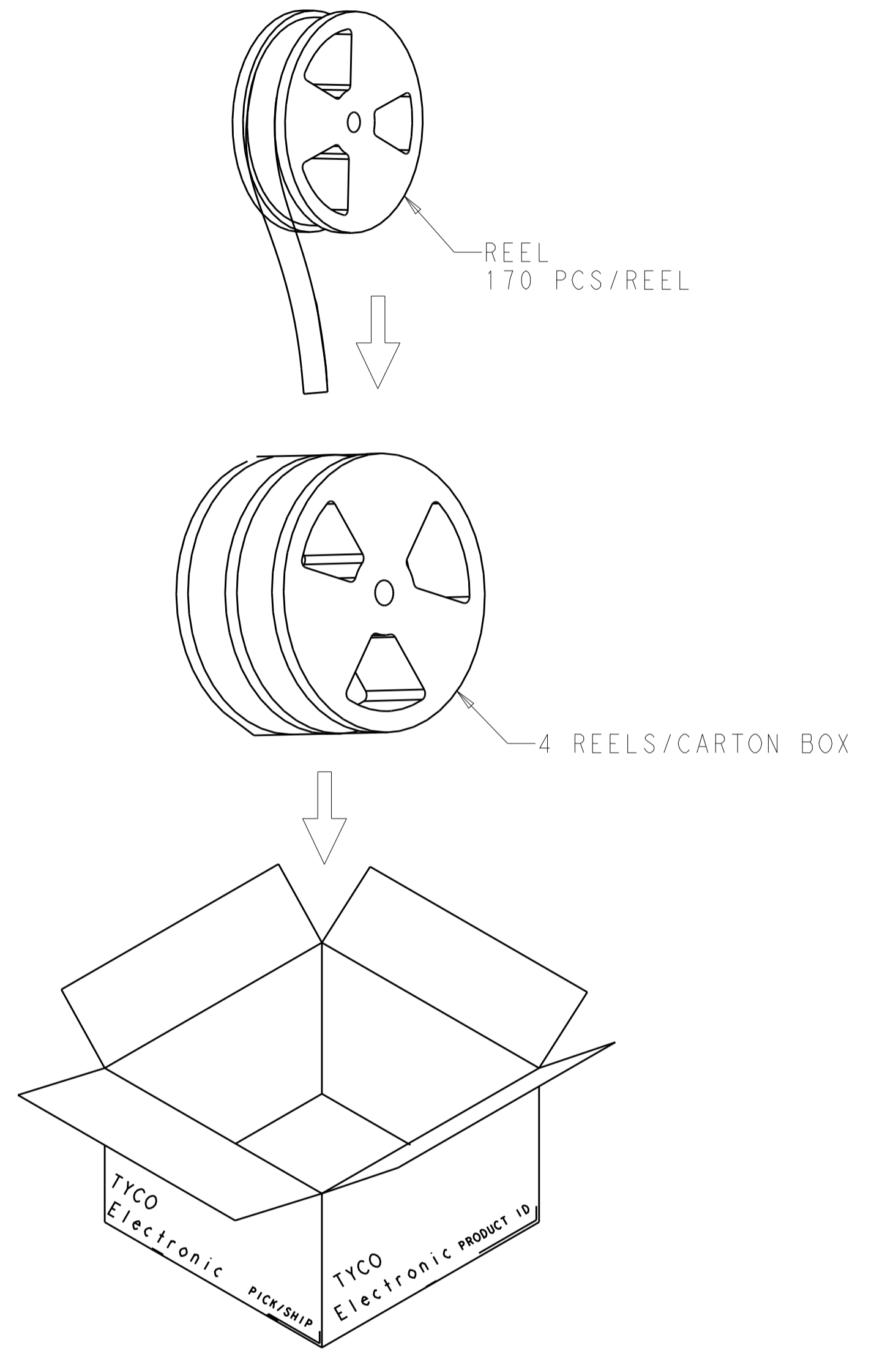
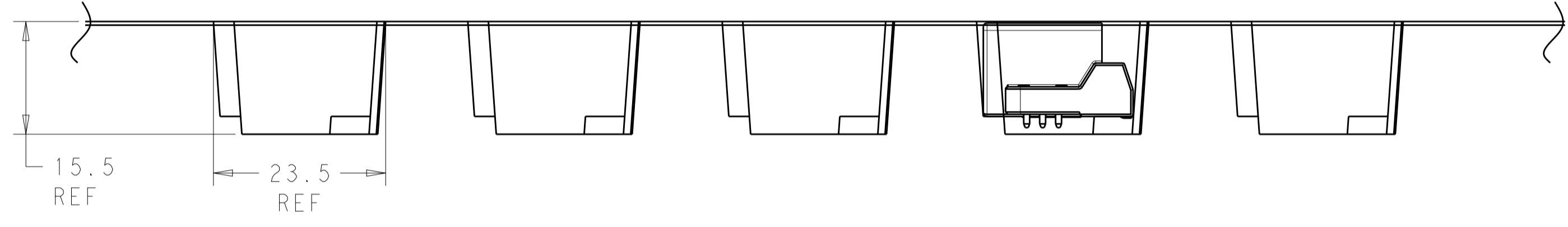
REVISIONS				
P.	LTN	DESCRIPTION	DATE	APVD
-	-	SEE SHEET 1	-	-



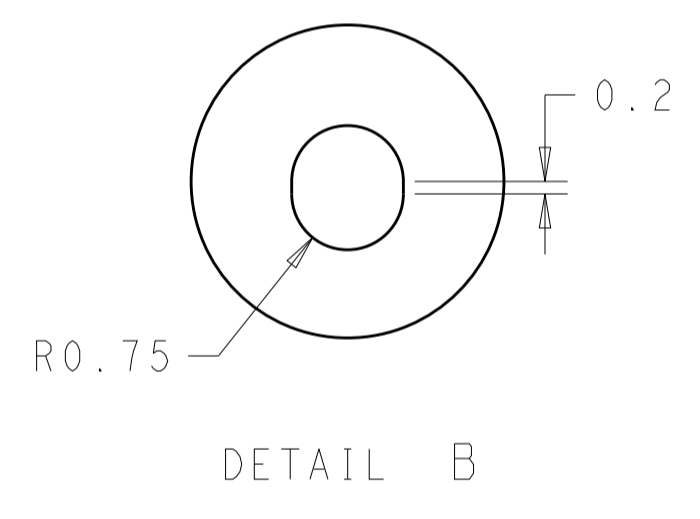
SECTION A-A



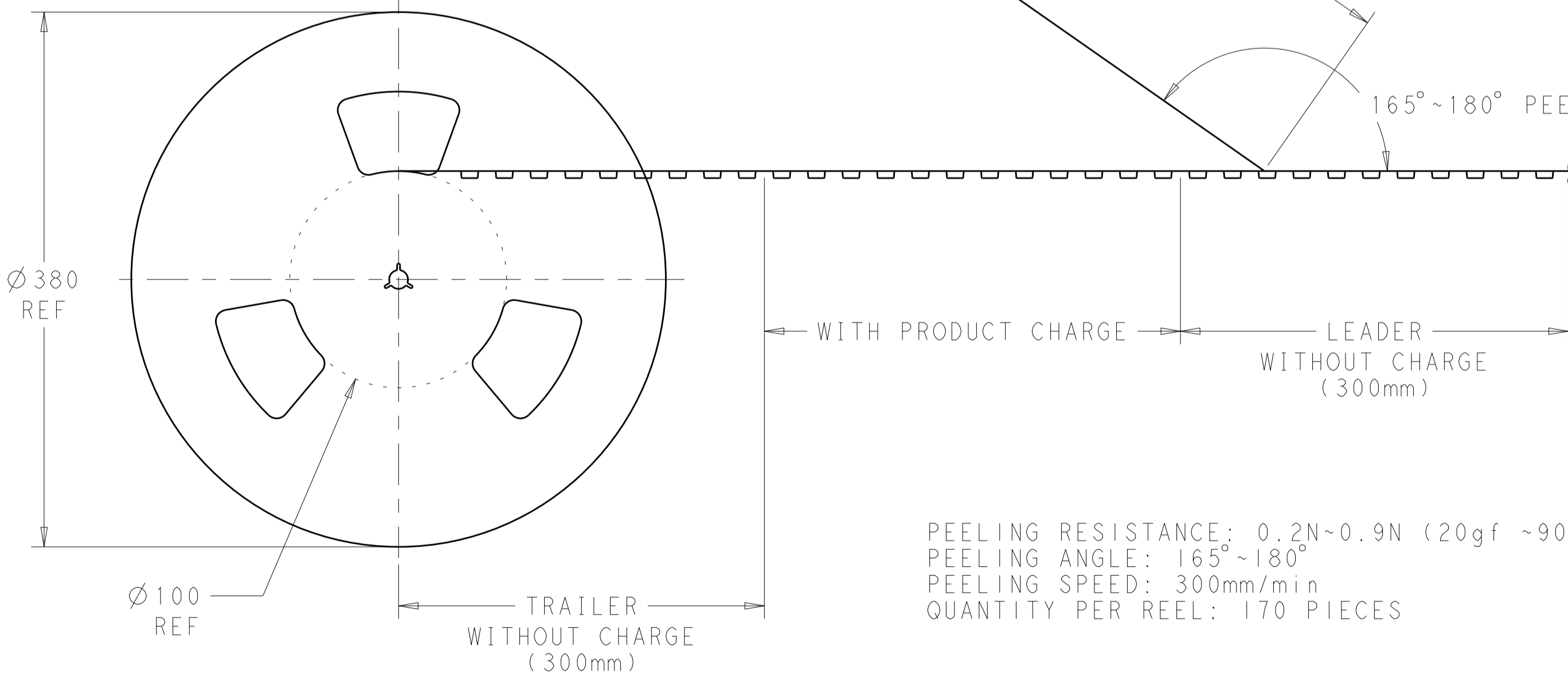
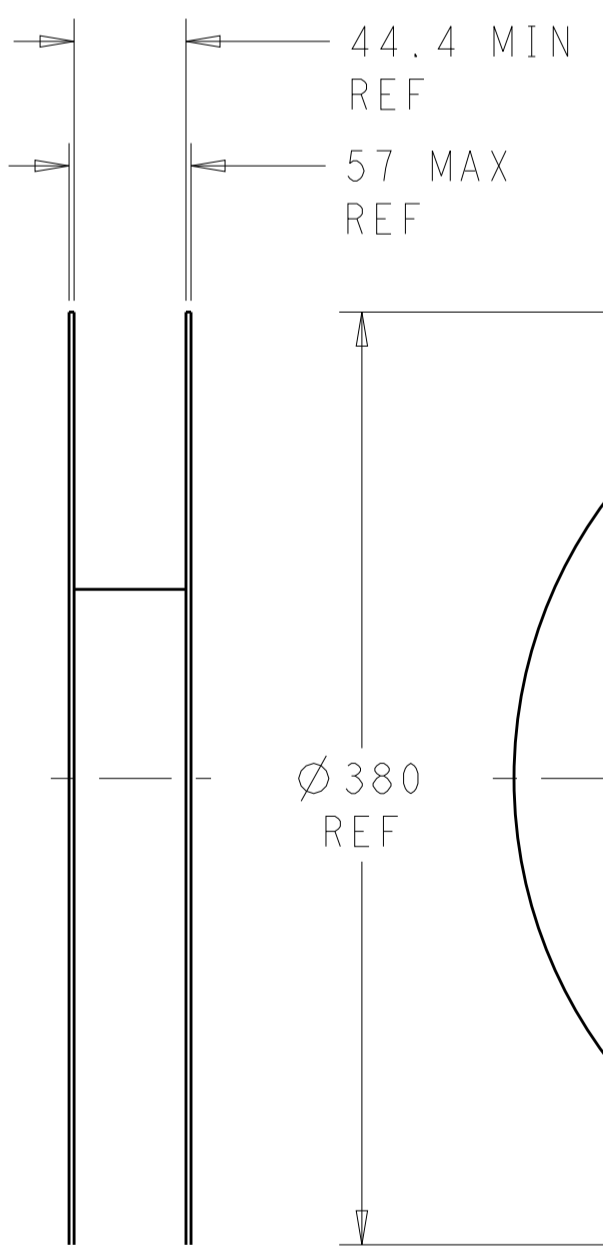
CUSTOMER DE-REEL DIRECTION



CARTON BOX
680 PCS/BOX



DETAIL B



WINDING COVER TAPE
AROUND OUTER
PERIPHERY IN ONE TURN

165°~180° PEELING ANGLE

PEELING RESISTANCE: 0.2N~0.9N (20gf ~90gf)
PEELING ANGLE: 165°~180°
PEELING SPEED: 300mm/min
QUANTITY PER REEL: 170 PIECES

THIS DRAWING IS A CONTROLLED DOCUMENT.		OWN: JASON CHOW 29JUN2016	TE Connectivity													
DIMENSIONS: mm		CHK: JI LIM 29JUN2016														
TOLERANCES UNLESS OTHERWISE SPECIFIED:		APVD: SE LEONG 29JUN2016	NAME: 16 POSITION CAP ASSEMBLY													
<table border="1"> <tr><td>0 PLC</td><td>±0.3</td></tr> <tr><td>1 PLC</td><td>±0.3</td></tr> <tr><td>2 PLC</td><td>±0.3</td></tr> <tr><td>3 PLC</td><td>±0.3</td></tr> <tr><td>4 PLC</td><td>±0.3</td></tr> <tr><td>ANGLES</td><td>±0.3°</td></tr> </table>		0 PLC	±0.3	1 PLC	±0.3	2 PLC	±0.3	3 PLC	±0.3	4 PLC	±0.3	ANGLES	±0.3°	PRODUCT SPEC	SIZE: CAGE CODE: DRAWING NO: RESTRICTED TO	
0 PLC	±0.3															
1 PLC	±0.3															
2 PLC	±0.3															
3 PLC	±0.3															
4 PLC	±0.3															
ANGLES	±0.3°															
MATERIAL: FINISH: *		APPLICATION SPEC	A100779C=2291174													
		WEIGHT	SCALE: NTS SHEET 2 OF 2 REV: A1													
		CUSTOMER DRAWING														