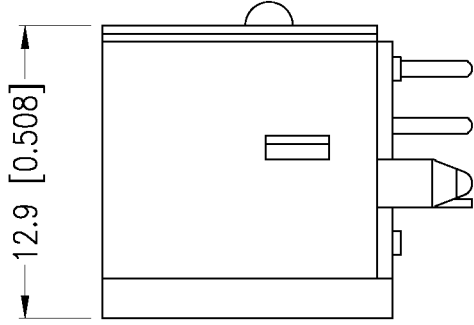
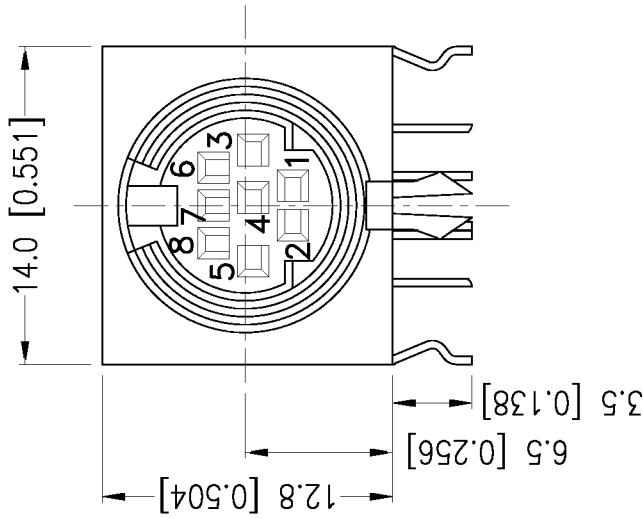
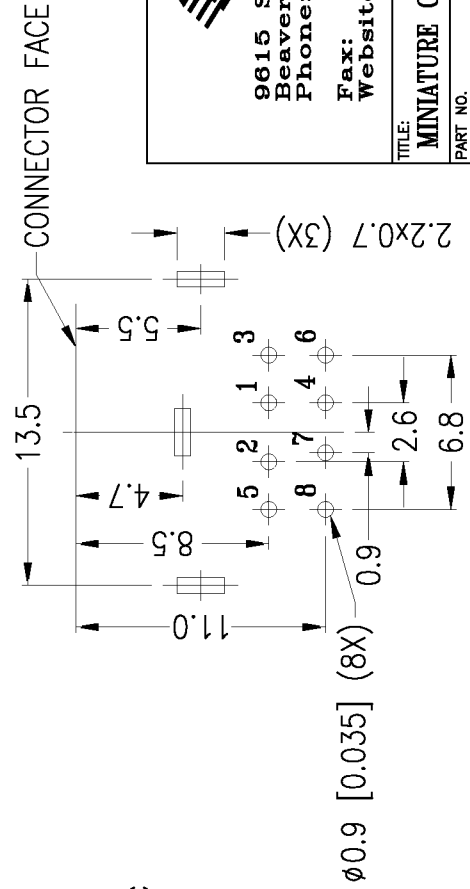


SNAP IN FIT (KINKED PINS)



**SPECIFICATIONS:**  
 RATING: 100V AC 1A MAX OR  
 12V DC 2A MAX  
 INSULATION RESISTANCE:  
 50 MOHM MIN AT 250V DC  
 DIELECTRIC STRENGTH:  
 250V AC, 1 MINUTE  
 CONTACT RESISTANCE:  
 30 mOHM MAX  
 INSERTION FORCE:  
 4.5KG MAX  
 WITHDRAWAL FORCE:  
 0.9KG~3KG

FOOTPRINT (BOTTOM VIEW)



9615 SW Allen, Suite 103  
 Beaverton, OR 97006  
 Phone: (503) 643-4899  
 Fax: (503) 643-6129  
 Website: www.cuistack.com

TITLE: MINIATURE CIRCULAR CONNECTOR WITH SHIELD	
PART NO. MD-80SKS	UNITS: MM [INCHES]
DRAWN BY:	APPROVED BY:
	SCALE: 3X