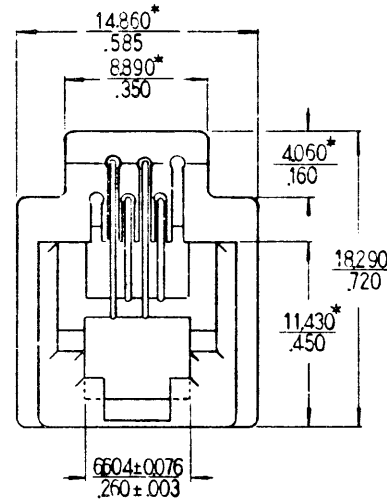
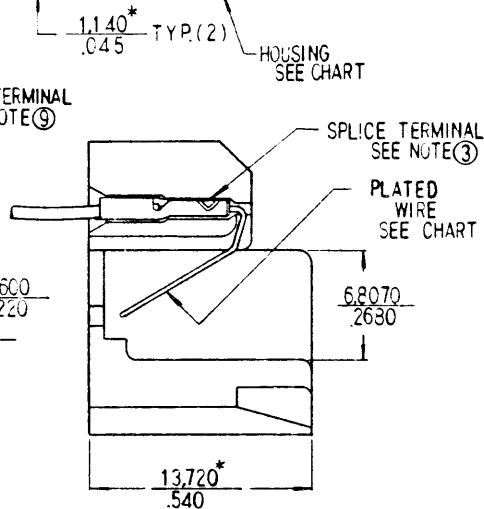
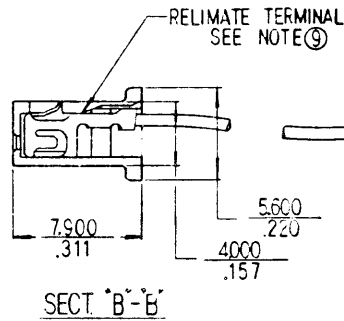
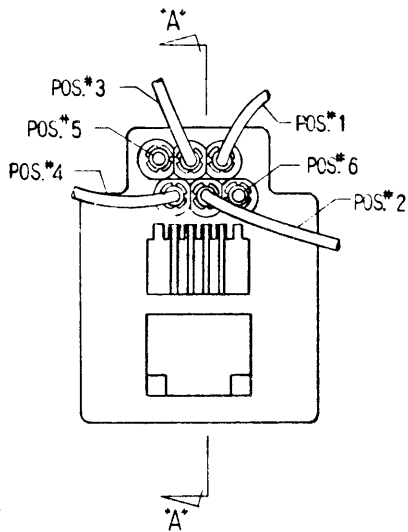
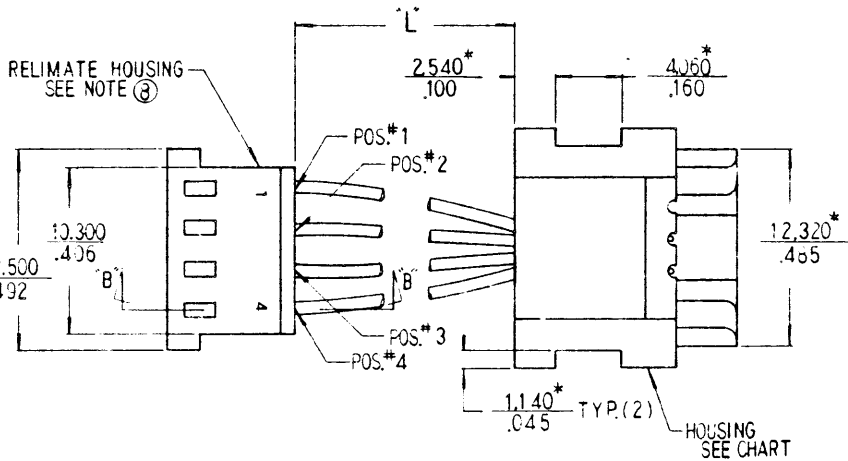


PRODUCT NO
SEE CHART



REVISIONS

REV	DESCRIPTION	BY	DATE
D	REDRAWN AND REVISED ECR*J8410	S. Z	12/23/86
E	REVISED ECR*J8437	S. Z	6/22/87
F	REVISED ECR*J8444	S. Z	6/27/87
G	REVISED ECN*627	N.T	6/22/88

SECTION A-A

CUSTOMER COPY
CODE IDENT 22526

DuPont Electronics



SHEET INDEX	ISSUE									
	SH NO	1								
LEVELS		TABULATION SHEETS REQUIRED		YES	THIRD ANGLE PROJECTION		MM INCH			
				NO						

DO NOT SCALE DRAWING		TOLERANCE UNLESS OTHERWISE NOTED		MM/INCH	
		LINEAR		0.00±0.25 / .00±.01	
				0.000±0.13 / .000±.005	
				0.0000±0.051 / .0000±.0020	
		ANGLES		±2°0"	

MATL	DR	DATE
	S. Yanada	12/23/86
FINISH	CHK	
APPD	ENGR	
	S. Yanada	12/23/86
	A. Fujino	12/23/86

TITLE			
MOD. JACK ASS'Y 623K WITH RELIMATE			
SCALE	SIZE	DWG NO	SHEET
	B	68199	1 OF 2

NOTE: This print is the property of and embodies proprietary designs of DUPONT CONNECTOR SYSTEMS, Division of E. I. du Pont de Nemours & CO., Inc. No part of the design shown on this print may be used in any way without the written consent of DUPONT CONNECTOR SYSTEMS, 2000 HILL, PA.

PDM: Rev.G

STATUS: Released

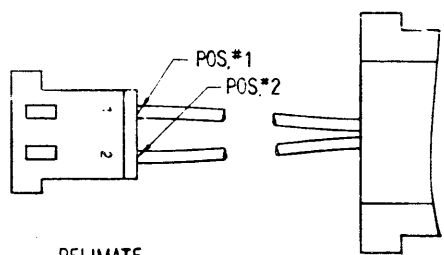
Printed: Oct 26, 2005

PRODUCT NO	MODULAR JACK						RELIMATE			REVISIONS			
	POS. NO.	WIRE COLOR	LENGTH "L"	WIRE STYLE SEE NOTE ⑥	HOUSING IDENTIFICATION SEE NOTE ②	PLATED WIRE IDENTIFICATION	POS. NO.	WIRE COLOR	HOUSING NO. OF POS.	REV	DESCRIPTION	BY	DATE
68199 - 001													
68199 - 002													
	1	YELLOW	75±5 / 295±197		A		1	BLACK					
	2	GREEN		B	GRAY	SEE NOTE ⑤	2	RED	4 POS.				
	3	RED					3	GREEN					
	4	BLACK					4	YELLOW					
	2	GREEN		B	A	SEE NOTE ⑤	1	RED	2 POS.				
	3	RED			GRAY		2	GREEN					
68199 - 005	2	GREEN		B	A	SEE NOTE ⑪	1	RED	2 POS.				
	3	RED	75±5 / 295±197		GRAY		2	GREEN					

OBSOLETE
OBSOLETE

NOTES:

- MOD. JACK PRODUCT SPEC: 110-014
- MOD. JACK HOUSING MATERIAL:
TYPE A) STANDARD ABS MOLDING COMPOUND, FLAME RETARDANT PER UL94V-0.
TYPE B) HIGH TEMPERATURE ABS BLEND MOLDING COMPOUND, FLAME RETARDANT PER UL94V-0.
- SPLICE TERM. MAT'L 3/4 HARD BRASS ALLOY UNS-C26000.
- GOLD PLATED WIRE MAT'L: 9490-10545 KG/CM²/135000-150000 PSI TENSILE.
PHOS. BRONZE ALLOY UNS-C51000, PLATING: 0,76µ/30µ*Au OVER 2,54µ/100µ*Ni.
- SAME AS ④ EXCEPT FOR Au PLATING 1,27µ/50µ*.
- INSULATED WIRE:
STYLE A) 27 AWG, 7 STRANDS OF TINNED COPPER WIRE, PVC INSULATION.
STYLE B) 27 AWG, 7 STRANDS OF COPPER WIRE, TOP COATED WITH TIN, PVC INSULATION.
- RELIMATE PRODUCT SPEC: 110-002
- RELIMATE HOUSING MATERIAL: GLASS FILLED POLYESTER, FLAME RETARDANT PER UL 94V-0, COLOR-BLACK.
- RELIMATE TERM. MAT'L: PHOS. BRONZE, PLATING: 1µ/40µ*Ti.
- ALL DIMENSIONS MARKED WITH ASTERISKS ARE REF. FOR MOUNTING.
- MAT'L : SAME AS NOTE ④
PLATING : FLASH GOLD OVER 0.76µm/30µ*MIN Pd OVER 2.54µm/100µ*MIN Ni



RELIMATE
2 POS. TYPE

CUSTOMER COPY
CODE IDENT
22526

DuPont Electronics



SHEET INDEX	ISSUE SH NO	1	DO NOT SCALE DRAWING	TOLERANCE UNLESS OTHERWISE NOTED MM/INCH	MATL	DR. S. Yamada	DATE 12/23/86	TITLE
LEVELS	TABULATION SHEETS REQUIRED	YES	THIRD ANGLE PROJECTION	LINEAR	FINISH	ENGR S. Yamada	12/23/86	MOD. JACK ASSY 623K WITH RELIMATE
		NO	MM INCH	0.00±0.25 / 0.00±.01		APPD H. Fujino	12/23/86	SCALE SIZE DWG NO
				0.000±0.051 / 0.000±.0020				B 68199
				ANGLES ±2°0'				SHEET 2 OF 2

NOTE This print is the property of and embodies proprietary designs of DUPONT CONNECTOR SYSTEMS, Division of E. I. du Pont de Nemours & Co., Inc. No part of the design shown on this print may be used in any way without the written consent of DUPONT CONNECTOR SYSTEMS, Deep HILL, PA.