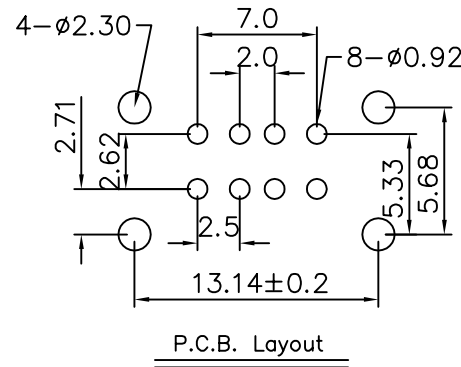
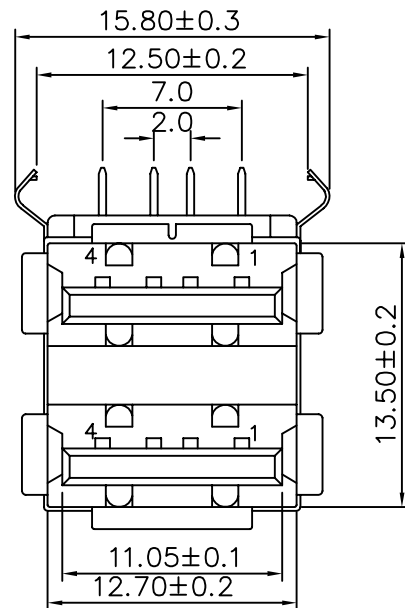
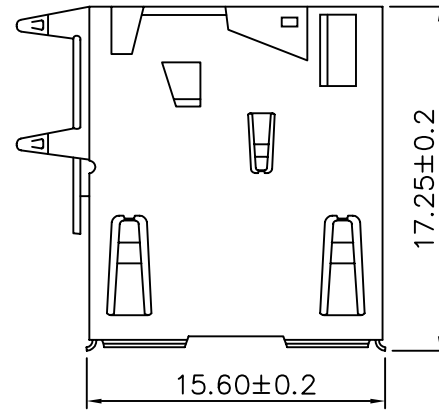
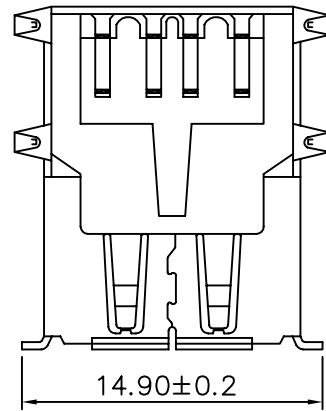


**SPECIFICATIONS**

Current Rating: 1 AMP  
 Dielectric Withstanding Voltage:500V AC R.M.S.  
 Contact Resistance:30 Milliohms Max.  
 Insulation Resistance:500 Megohms  
 Min. At 500V  
 Operating Temperature:-55°C To +105°C  
 Insulator:PBT UL 94V-0 Rated  
 Shell:Brass,Tin Plated  
 Contact:Brass Or Phosphor Bronze  
 Gold Plated Over Nickel



**AUK** A NUMBER OF AUK GROUP  
**太聯事業股份有限公司**  
 AUK CONTRACTORS CO., LTD.

DRAWING No.  
 USB1X04SRB-  
 BK

APPROVED BY MEI  
 CHECKED BY RAN  
 DRAWING BY HZF

UNLESS OTHERWISE SPECIFIED TOLERANCES ARE  
 .X ±0.38  
 .XX ±0.25  
 ANG.

SCALE NONE

REV. A

UNIT mm

AREA

REVISIONS

CHK

DATE