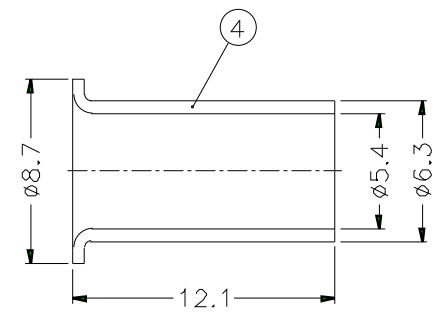
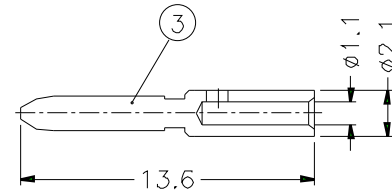
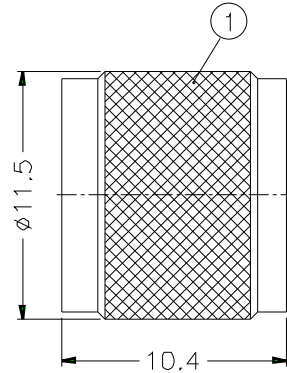
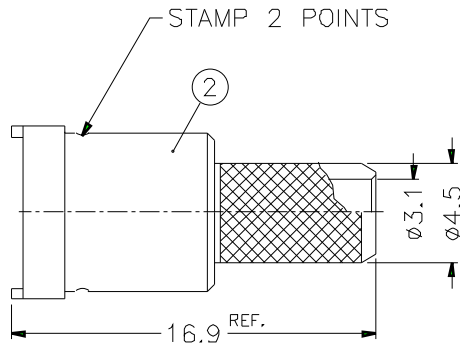


1			2			3			4			5			6			7			8		
REVISIONS																							
ISS	ZONE	DESCRIPTION\PER REQUEST\DATE																					



NOTES: FINISH (PLATING THICKNESS IN MICRO-INCHES)
 1. BRASS PER QQ-B-626
 2. NICKEL PL. 80 MIN. THICK OVER COPPER STRIKE
 3. NICKEL PL. 80 MIN. THICK OVER COPPER PL. 300 MIN.
 4. GOLD FLASH OVER NICKEL PL. 100 MIN. THICK OVER COPPER STRIKE
 5. JIS H 3260, C 3501
 6. ZINC DIECAST

1. CRIMPED FERRULE
 HEX CRIMP SIZE .213"
 2. CRIMPED CONTACT PIN
 HEX CRIMP SIZE .068"

DIMENSIONS ARE IN MILLIMETERS				PART NO. MU1121D1-ND3G-1-50	
UNLESS OTHERWISE SPECIFIED TOLERANCES				APPROVED DATE 10-11-01'	
0.5-6 = ±0.2				CHECKED DATE 10-11-01'	
6-30 = ±0.4				DRAWN DATE 10-11-01'	
30-120 = ±0.6				FILE NO	
120-315 = ±1					
315-1000 = ±1.6					
1000-2000 = ±2.4					

<h1>Amphenol</h1>		
		TITLE MINI-UHF CRIMP PLUG (FOR RG-58C/U,58/U)
		DRAWING NO KJ-MU1121D1-ND3G-58CU-50
		ITEM NO

4	FERRULE	NOTE 5	NOTE 2	1	
3	CONTACT PIN	NOTE 1	NOTE 4	1	
2	INSULATOR	DELTRIN	NATURAL	1	
	BODY	NOTE 6	NOTE 3	1	
1	SHELL	NOTE 1	NOTE 2	1	
NO.	DESCRIPTION	MATERIAL	FINISH	Q'TY	DRAWING NO.

1	2	3	4	5	6	7	8
---	---	---	---	---	---	---	---