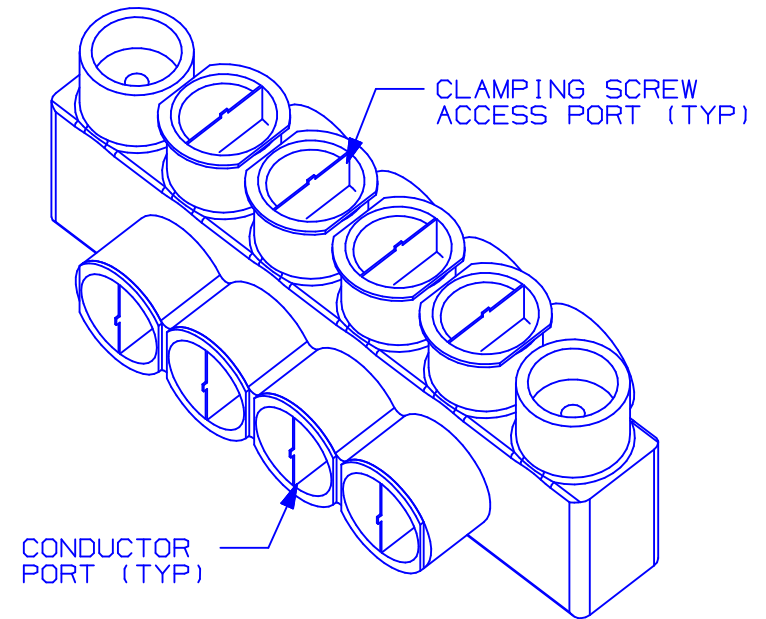
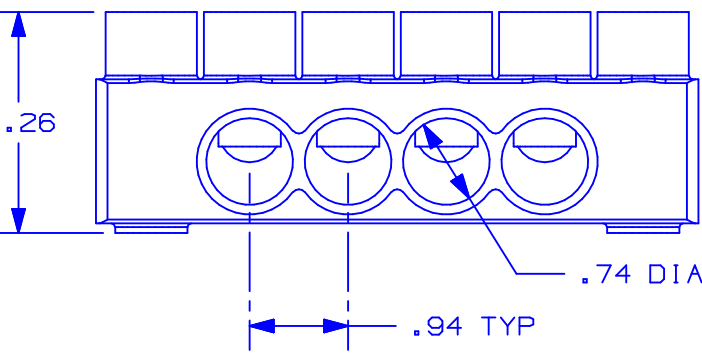
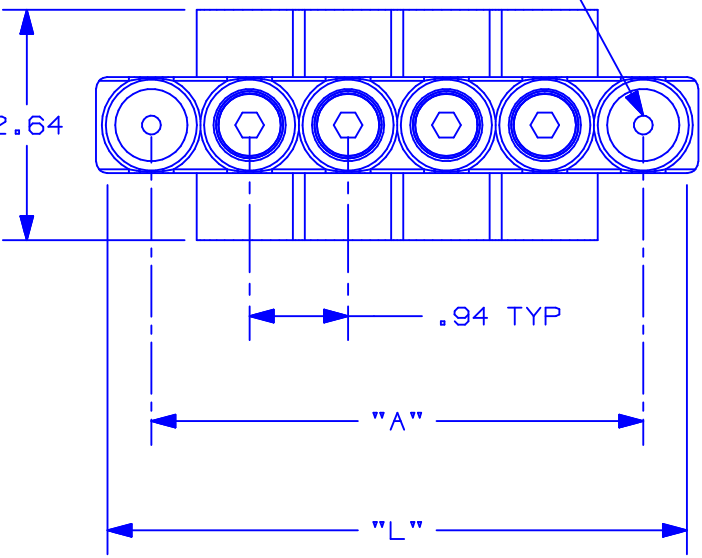
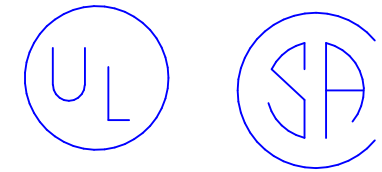


INSULATED MOUNTING HOLE
(ACCOMODATES 1/4" HARDWARE)
(2 PLCS)



- NOTES:
1. UL LISTED AND CSA CERTIFIED. DUAL RATED. CUGAL FOR ALUMINUM OR COPPER CONDUCTORS. MEETS OR EXCEEDS ANSI C119.4
 2. WIRE RANGE: 250 kcmil - #10 AWG. ONLY ONE CONDUCTOR PER PORT ALLOWED.
 3. STRIP LENGTH: .94 +.06/-0
 4. HEX KEY SIZE: 5/16", TIGHTENING TORQUE 275 IN-LB.
 5. VOLTAGE RATING: 600 V. MAX.
 6. TEMPERATURE RATING: 90° C.
 7. CONNECTOR BLOCK BODY IS MADE FROM ALUMINUM. CLAMPING SCREWS ARE TIN PLATED. PORTS IN CONNECTOR BLOCK ARE PREFILLED WITH AN OXIDE-INHIBITING COMPOUND.
 8. INSULATION MATERIAL IS CLEAR PVC.
 9. CLAMPING SCREW ACCESS PORTS AND ALL CONDUCTOR ENTRY PORTS ARE PROVIDED WITH REMOVABLE PLASTIC CLOSURE PLUGS.
 10. ALL DIMENSIONS SHOWN ARE NOMINAL.
 11. PACKAGE QTY: -2 = 2 PCS
-1 = 1 PCS

PART NUMBER	# CONDUCTOR PORTS	DIM "L"	DIM "A"
PCSBMT250-4-2	4	5.78	4.69
PCSBMT250-6-2	6	7.66	6.57
PCSBMT250-8-2	8	9.53	8.44
PCSBMT250-10-2	10	11.41	10.32
PCSBMT250-12-1	12	13.29	12.19



00	2/05	JHNU		DRAWING RELEASED					
REV	DATE	BY	CHK	DESCRIPTION	ECN #	CUST	PM		

C41482_00

PANDUIT CORP. TINLEY PARK, ILLINOIS

MULTI-TAP INSULATED CONNECTORS
WITH MOUNTING HOLES
PCSBMT 250 DOUBLE SIDED SERIES

DRAWN BY: JHNU CHK'D: SCALE: N/A DRAWING NO.: C41482