

# Device circuit breakers - CAPAROC CR EXT8



1110990

<https://www.phoenixcontact.com/in/products/1110990>

Please be informed that the data shown in this PDF document is generated from our Online Catalog. Please find the complete data in the user documentation. Our General Terms of Use for Downloads are valid.

---

Extension busbar with 8 slots for CAPAROC system. For installation on a DIN rail.



---

## Your advantages

- The benchmark that you can customize with lengths that can be adapted to your requirements
- Particularly easy operation for everyone with the simple Plug and Play design
- Exceptionally easy design-in with universal busbars up to 45 A

# Device circuit breakers - CAPAROC CR EXT8



1110990

<https://www.phoenixcontact.com/in/products/1110990>

## Commercial Data

Order Key	1110990
Packing unit	12 pc
Minimum order quantity	1 pc
GTIN	4063151029449
Weight per Piece (including packing)	24.6 GRM
Weight per Piece (excluding packing)	22.0 GRM
Customs tariff number	85366990
Country of origin	DE

# Device circuit breakers - CAPAROC CR EXT8



1110990

<https://www.phoenixcontact.com/in/products/1110990>

## Technical Data

### Notes

#### General

Note	LABS release – in accordance with test specification VW PV 3. 10.7:2005-0
------	---

### Product properties

Number of slots	8
-----------------	---

#### Insulation characteristics

Protection class	III
Pollution degree	2

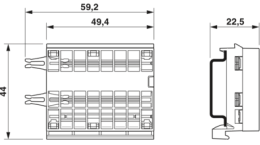
### Mounting

Mounting type	DIN rail: 35 mm
---------------	-----------------

### Material specifications

Color	light grey RAL 7035
Material	Copper (Busbar) PC (Housing)
Flammability rating according to UL 94	V-0

### Dimensions

Dimensional drawing	
Width	59.2 mm
Height	44 mm
Depth	22.5 mm (incl. DIN rail 7.5 mm)

### Electrical properties

Rated voltage	24 V DC
Rated current $I_N$	45 A DC (Total current input)

### Standards and regulations

Standards/specifications	EN 61000-6-2
Standards/specifications	EN 61000-6-3
Standards/specifications	EN 60068-2-78
Standards/specifications	EN 50178
Standards/specifications	EN 60068-2-6
Standards/specifications	EN 60068-2-27

1110990

<https://www.phoenixcontact.com/in/products/1110990>

## Environmental and real-life conditions

### Ambient conditions

Degree of protection	IP20
Ambient temperature (operation)	-30 °C ... 65 °C (The temperature range of the power module must be taken into consideration)
Ambient temperature (storage/transport)	-40 °C ... 70 °C
Altitude	≤ 4000 m (amsl (above mean sea level))
Humidity test	96 h, 95 % RH, 40 °C
Shock (operation)	30g (11 ms period, half-sine shock pulse, according to IEC 60068-2-27)
Vibration (operation)	5g (10 ... 150 Hz / 10 cycles / axis / X, Y, Z)

# Device circuit breakers - CAPAROC CR EXT8

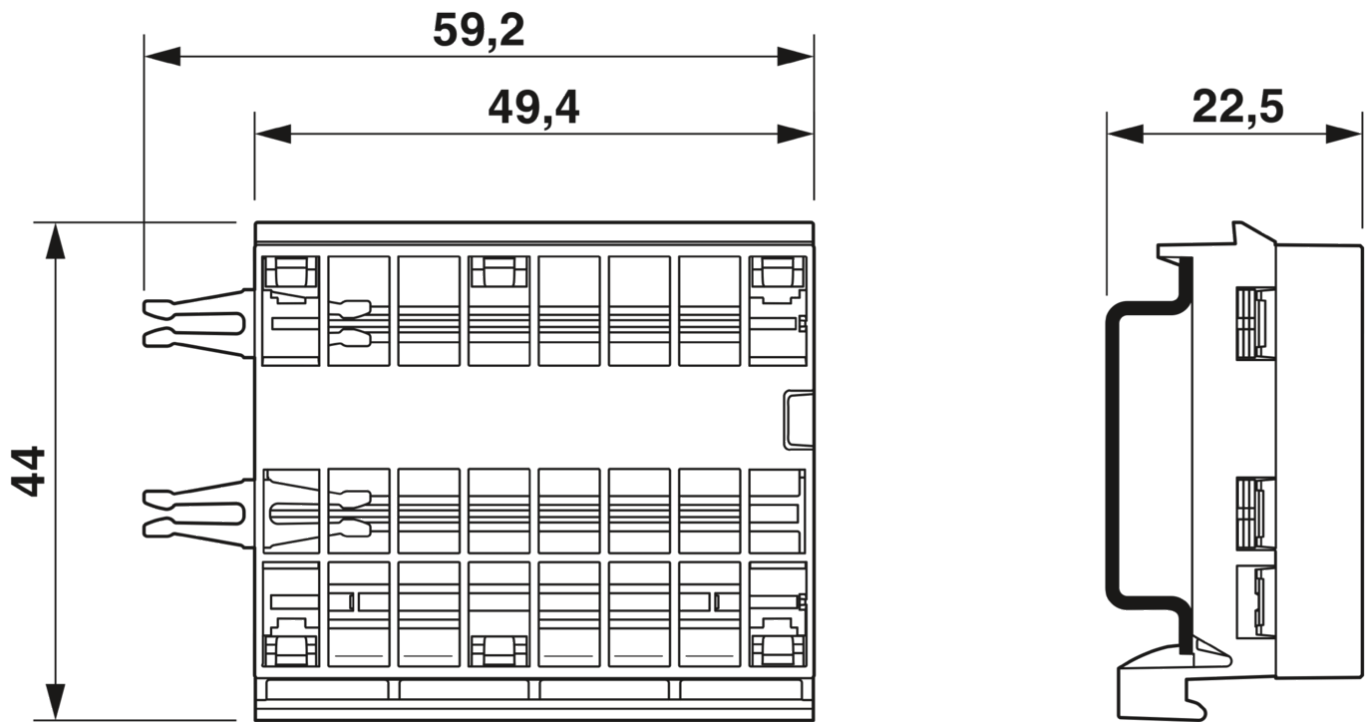
1110990

<https://www.phoenixcontact.com/in/products/1110990>



## Drawings

Dimensional drawing



# Device circuit breakers - CAPAROC CR EXT8



1110990

<https://www.phoenixcontact.com/in/products/1110990>

## Approvals

UL Listed 

cUL Listed 

cULus Listed

# Device circuit breakers - CAPAROC CR EXT8



1110990

<https://www.phoenixcontact.com/in/products/1110990>

## Accessories

### Device circuit breakers

Device circuit breakers - CAPAROC CR 20 - 1110989

Busbar for CAPAROC system with 20 slots. For installation on a DIN rail.



---

### Device circuit breakers

Device circuit breakers - CAPAROC CR 8 - 1115672

Busbar for the CAPAROC system with 8 slots. For installation on a DIN rail.



---

Phoenix Contact 2021 © - all rights reserved  
<https://www.phoenixcontact.com>

PHOENIX CONTACT (I) Pvt. Ltd.  
A-58/2, Okhla Industrial Area, Phase - II, New Delhi-110 020

+91.1275.71420  
[info@phoenixcontact.co.in](mailto:info@phoenixcontact.co.in)