

11mm UC Sealed Squib Connectors

Features

- One-piece terminal, selectively gold-plated, 2 contact points
- Delivered in different wire lengths, wire gauges and types; please consult us for customization
- Sealed connector
- Non-serviceable UC-type locking legs
- No retainer assembly is required, as the connector directly mates to the 11 mm initiator



Technical Characteristics

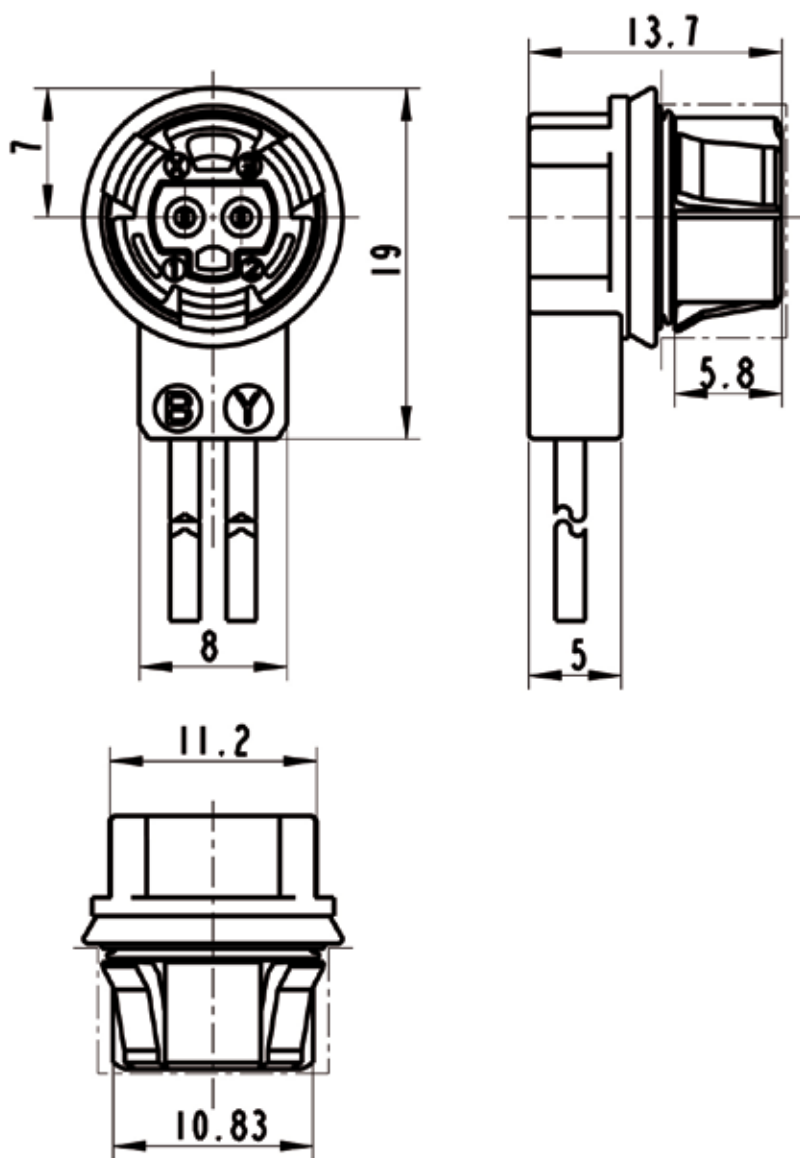
Interface	UC
Serviceability	Non-serviceable
EMI filtering device	Ferrite
Locking type	Reversed locking legs
Sealing protection	IPx9K
Termination technology	Crimping
Contact resistance	< 10 mΩ
Dielectric test	750V / DC
Temperature range	-40°C to +85°C
Pull-out force	> 150 N

Main Part Numbers

Right angle version	
Product code	FUW 90-1
Part numbers	61400500

Note: user specifies pigtail wire length, wire gauge and wire type. Contact us for specification assistance.

11mm UC Sealed Squib Connectors



Dimensions in mm