

Digital output modules
2 outputs



Digital output modules

2 outputs**Documentation**

- Inline digital output module
- 2 outputs: 24 V DC, 2 A
- 4-wire connection technique
- Complete with accessories (connection plug and labeling field)

Technical data

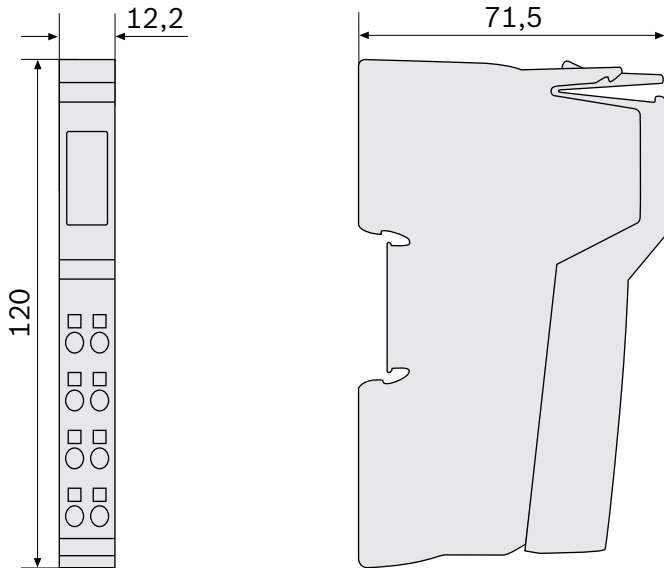
R-IB IL 24 DO 2-2A-PAC	
Local bus interface	
Designation	Local bus
Connection type	Inline data jumper
Supply for module electronics	
Supply voltage	24 V DC (via potential jumper)
Supply voltage range	19.2 ... 30 V DC (including all tolerances, incl. rippling)
Current consumption of U_L	Max. 35 mA
Nominal current consumption of U_S	Max. 4 A (2x 2 A)
Error message to the higher level systems	Short-circuit/overload
Logic voltage U_L	7,5 V
Segment supply voltage U_S	24 V DC
Digital outputs	
Connection technology of the actuators	2-, 3- and 4-wire connection
Connection type	Spring-cage connection
Nominal output voltage U_{Out}	24 V DC
Rated current I_{Nenn} each channel	2 A
Total current of the outputs	4 A
Protection	Short-circuit/overload
Norms and Standards	
Certification	UL 508
Environmental conditions	
Permissible temperature (operation)	-25 ... +55 °C
Permissible humidity (operation)	5 to 90%, no dewing
Protection category	IP20

Dimensions

Digital output modules

2 outputs

		R-IB IL 24 DO 2-2A-PAC	
Dimensions			
Height H	[mm]	120	
Width B	[mm]	12.2	
Length T	[mm]	71.5	

**Ordering information**

Type code	Description	Material number:
R-IB IL 24 DO 2-2A-PAC	Digital output module, 2 digital outputs, 2 A, 4-wire connection	R911170754

Bosch Rexroth AG

Postfach 13 57
97803 Lohr, Germany
Bgm.-Dr.-Nebel-Str. 2
97816 Lohr, Germany
Tel. +49 9352 18-0
Fax +49 9352 18-8400
www.boschrexroth.com/electrics

Local contact information can be found at:

www.boschrexroth.com/adressen

The data specified above only serve to describe the product. As our products are constantly being further developed, no statements concerning a certain condition or suitability for a certain application can be derived from our information. The information given does not release the user from the obligation of own judgment and verification.

It must be remembered that our products are subject to a natural process of wear and aging.