

Surface Mount RF Termination 3 Watts, 50Ω

Description

The C3A50Z4 is high performance Alumina (Al₂O₃) surface mount termination intended as a low cost alternative to Aluminum Nitride (AlN). The termination is well suited for 3G, 4G & 5G Systems and is also RoHS compliant.

Features:

- RoHS Compliant
- 3 Watts
- Al₂O₃ Ceramic
- Non-Nichrome Resistive Element
- Low VSWR
- 100% Test
- Small Size

General Specifications

Resistive Element:	Thick Film
Substrate:	Al ₂ O ₃ Ceramic
Terminal Finish:	Matte Tin over Nickel Barrier
Operating Temperature:	-55 to +150°C (see de-rating curve)

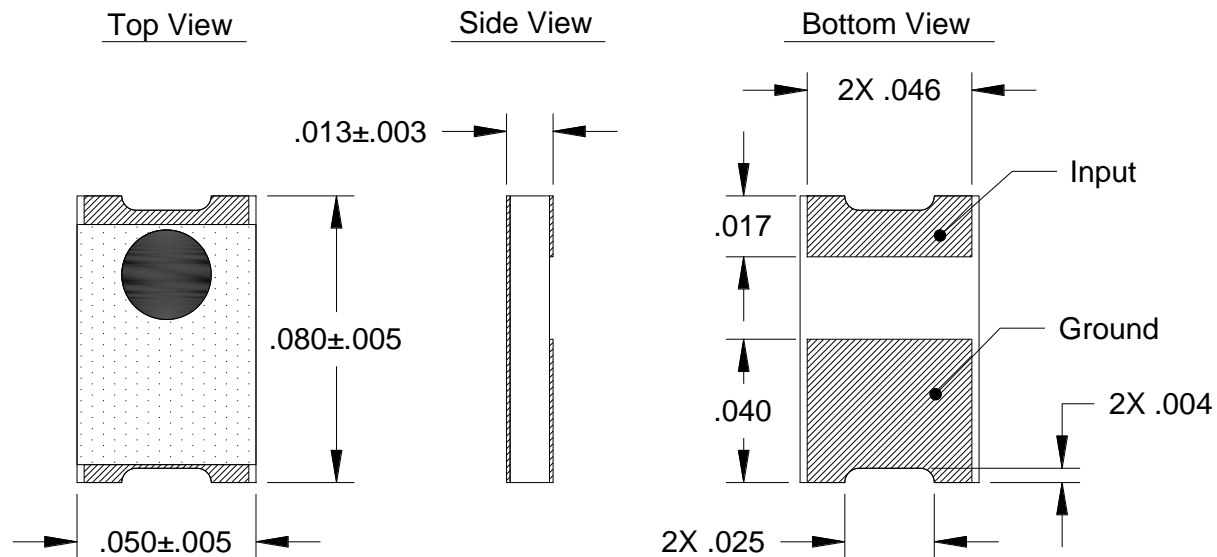
Tolerance is ±0.010", unless otherwise specified. Designed to meet or exceed applicable portions of MIL-E-5400. **All dimensions in inches.**

Electrical Specifications

Impedance:	50 Ohms
Power:	3 Watts
Max Frequency:	6.0 GHz
Return Loss:	>18 dB

Specification based on unit properly installed using suggested mounting instructions and a 50 ohm nominal impedance. **Specifications subject to change.**

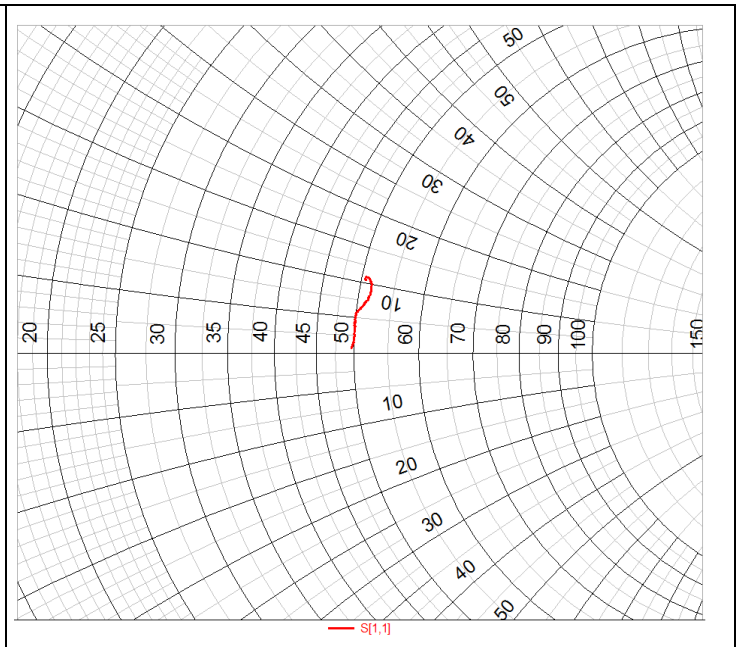
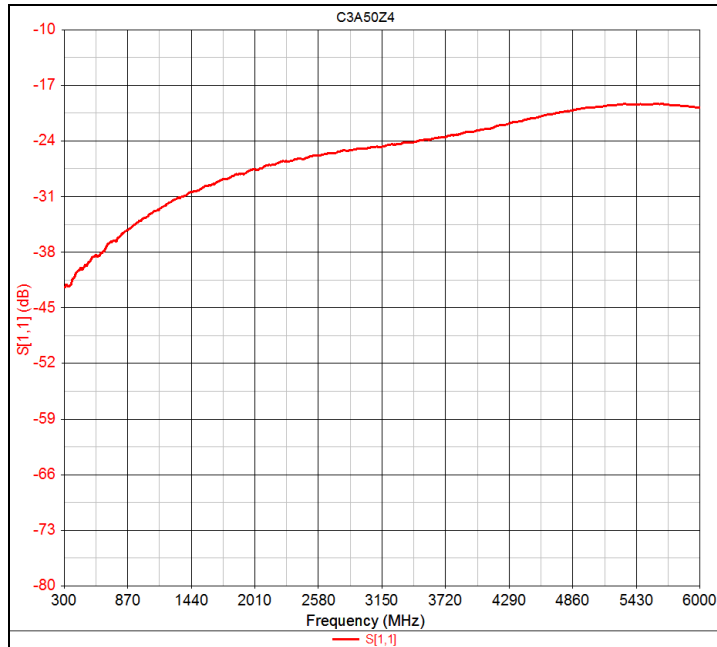
Outline Drawing



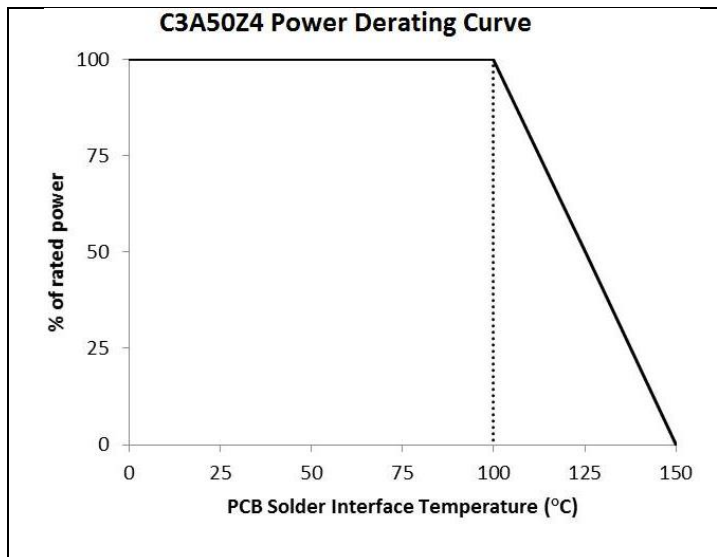
Unless otherwise specified, dimensions are in inches



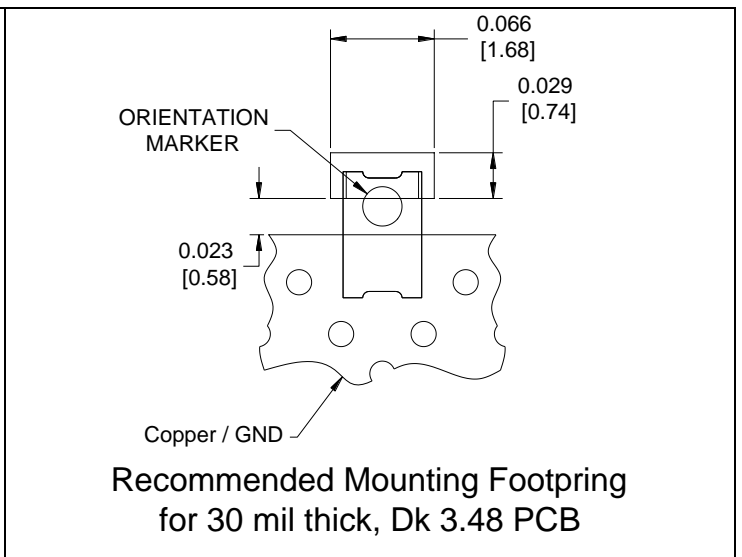
Typical Performance:



Power De-rating:



Mounting Footprint:



Tape & Reel:

