

# CK2,5-ED-1,00ST AG - Crimp contact



1663598

<https://www.phoenixcontact.com/in/products/1663598>

Please be informed that the data shown in this PDF document is generated from our Online Catalog. Please find the complete data in the user documentation. Our General Terms of Use for Downloads are valid.



Crimp contact, contact diameter: 2.5 mm, turned, Pin, contact material: Copper alloy, contact surface: silver-plated, connection cross section: 0.75 mm<sup>2</sup> ... 1 mm<sup>2</sup>, AWG 18

## Commercial Data

Item number	1663598
Packing unit	100 pc
Minimum order quantity	100 pc
Sales Key	BF7
Product Key	BF7AID
Catalog Page	Page 509 (C-2-2019)
GTIN	4017918123406
Weight per Piece (including packing)	1.306 g
Weight per Piece (excluding packing)	1.28 g
Customs tariff number	85389099
Country of origin	DE

# CK2,5-ED-1,00ST AG - Crimp contact



1663598

<https://www.phoenixcontact.com/in/products/1663598>

## Technical Data

### Notes

General	for HC-M-06..., HC-M-HV-, HC-M-08-, HC-M-20-, HC-A..., HC-B.., HC-BB..., HC-BBB..., and HC-HV contact carriers
---------	--

### Mounting

Assembly instructions	The quality of a crimp connection is determined by DIN EN 60352-2.
-----------------------	--

### Product properties

Product type	Crimp contact
Type	Individual male contact
Contact type	turned
Series	HC-M-06
	HC-M-HV
	HC-M-08
	HC-A
	HC-BB
	HC-B
	HC-HV
	HC-M-20
	HC-K
	HC-BBB
	HC-Q
	HC-COM

### Connection data

Connection method	Crimp connection
Type of contact	Pin
Connection technology	Crimp connection
Conductor cross section	0.75 mm <sup>2</sup> ... 1 mm <sup>2</sup>
Connection cross section AWG	18
Stripping length of the individual wire	7.5 mm (9.5 mm at HC-M-HV...)

### Material specifications

Contact material	Copper alloy
Contact surface material	silver-plated

### Dimensions

#### Mechanical characteristics

Contact diameter	2.5 mm
------------------	--------

### Mechanical properties

# CK2,5-ED-1,00ST AG - Crimp contact



1663598

<https://www.phoenixcontact.com/in/products/1663598>

## Mechanical data

Insertion/withdrawal cycles

≥ 500

## Environmental and real-life conditions

### Ambient conditions

Ambient temperature (operation)

-40 °C ... 125 °C

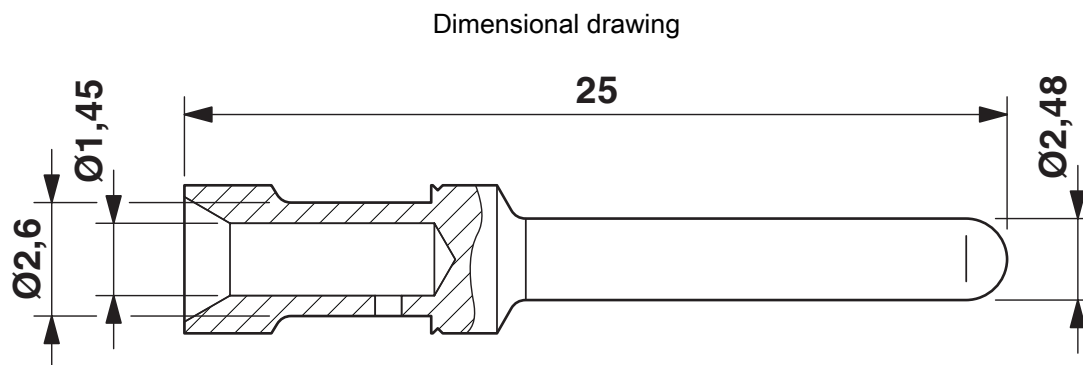
# CK2,5-ED-1,00ST AG - Crimp contact

1663598

<https://www.phoenixcontact.com/in/products/1663598>



## Drawings



Dimensional drawing

# CK2,5-ED-1,00ST AG - Crimp contact



1663598

<https://www.phoenixcontact.com/in/products/1663598>

## Approvals



**EAC**

Approval ID: RU C-DE.AI30.B.01102



**EAC**

Approval ID: EAC-Zulassung

# CK2,5-ED-1,00ST AG - Crimp contact



1663598

<https://www.phoenixcontact.com/in/products/1663598>

## Classifications

### ECLASS

ECLASS-11.0	27440204
ECLASS-12.0	27440204
ECLASS-13.0	27440204

### ETIM

ETIM 8.0	EC000796
----------	----------

### UNSPSC

UNSPSC 21.0	39121500
-------------	----------

# CK2,5-ED-1,00ST AG - Crimp contact



1663598

<https://www.phoenixcontact.com/in/products/1663598>

## Environmental Product Compliance

REACH SVHC	Lead 7439-92-1
China RoHS	Environmentally Friendly Use Period = 50 years
	For information on hazardous substances, refer to the manufacturer's declaration available under "Downloads"

# CK2,5-ED-1,00ST AG - Crimp contact



1663598

<https://www.phoenixcontact.com/in/products/1663598>

## Accessories

### CRIMPFOX-TC MP-6 - Crimping pliers with digital display

1202888

<https://www.phoenixcontact.com/in/products/1202888>



Crimping tool, for turned contacts, universal cross-section setting, up to a maximum of 6.0 mm<sup>2</sup>, digital display with 0.01 mm increments, pressure lock can be unlocked, positioning tool necessary as an accessory for contact positioning

---

### CRIMPFOX-TC HC 4 - Crimping pliers

1297083

<https://www.phoenixcontact.com/in/products/1297083>



Crimping pliers, for CK 1,6-ED..., CK 2,5-ED..., CK 4,0-ED... turned contacts, 4 marked die stations, unlockable pressure lock, lateral entry, incl. positioning tool

## CK2,5-ED-1,00ST AG - Crimp contact

1663598

<https://www.phoenixcontact.com/in/products/1663598>



## UNIFOX RT-CK 2.5 - Contact removal tool

1072067

<https://www.phoenixcontact.com/in/products/1072067>



Contact removal tool, for turned CK 2,5... contacts

---

## UNIFOX MT-CK 1.6/2.5 - Assembly tool

1089092

<https://www.phoenixcontact.com/in/products/1089092>



Assembly tool, for CK 1.6... crimp contacts for small conductor cross sections

# CK2,5-ED-1,00ST AG - Crimp contact

1663598

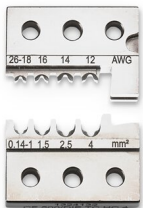
<https://www.phoenixcontact.com/in/products/1663598>



## CF 500/DIE TC HC 4 - Crimp insert

1324132

<https://www.phoenixcontact.com/in/products/1324132>



Die for CF 500 crimping device, CK 1,6-ED..., CK 2,5-ED..., CK 4,0-ED... turned contacts, 4 marked die stations

---

## CK2,5-ED-1,00BU AG - Crimp contact

1663666

<https://www.phoenixcontact.com/in/products/1663666>



Crimp contact, contact diameter: 2.5 mm, turned, Socket, contact material: Copper alloy, contact surface: silver-plated, connection cross section: 0.75 mm<sup>2</sup> ... 1 mm<sup>2</sup>, AWG 18

---

Phoenix Contact 2023 © - all rights reserved  
<https://www.phoenixcontact.com>

PHOENIX CONTACT (I) Pvt. Ltd.  
A-58/2, Okhla Industrial Area, Phase - II, New Delhi-110 020

+91.1275.71420  
[info@phoenixcontact.co.in](mailto:info@phoenixcontact.co.in)