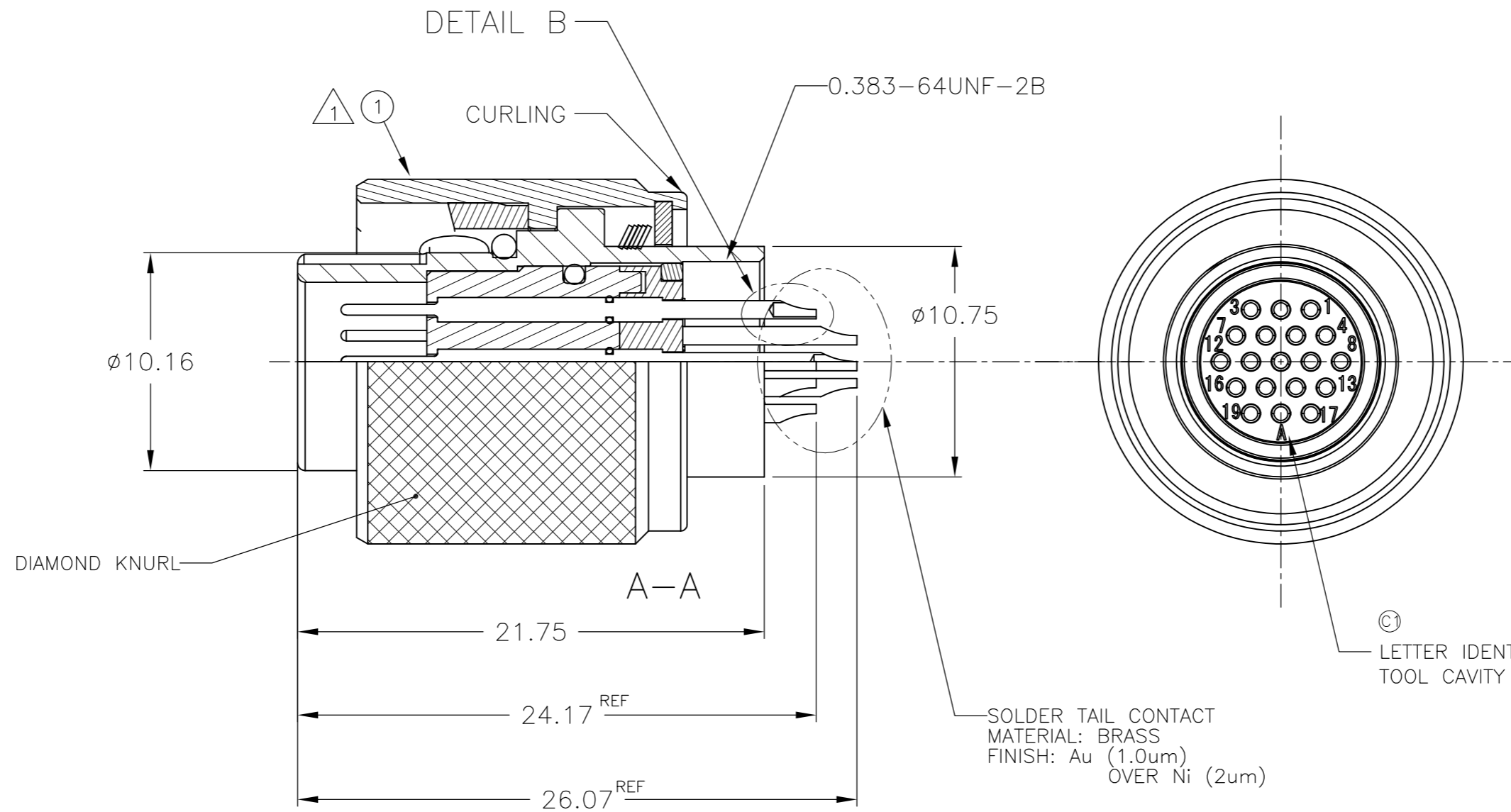
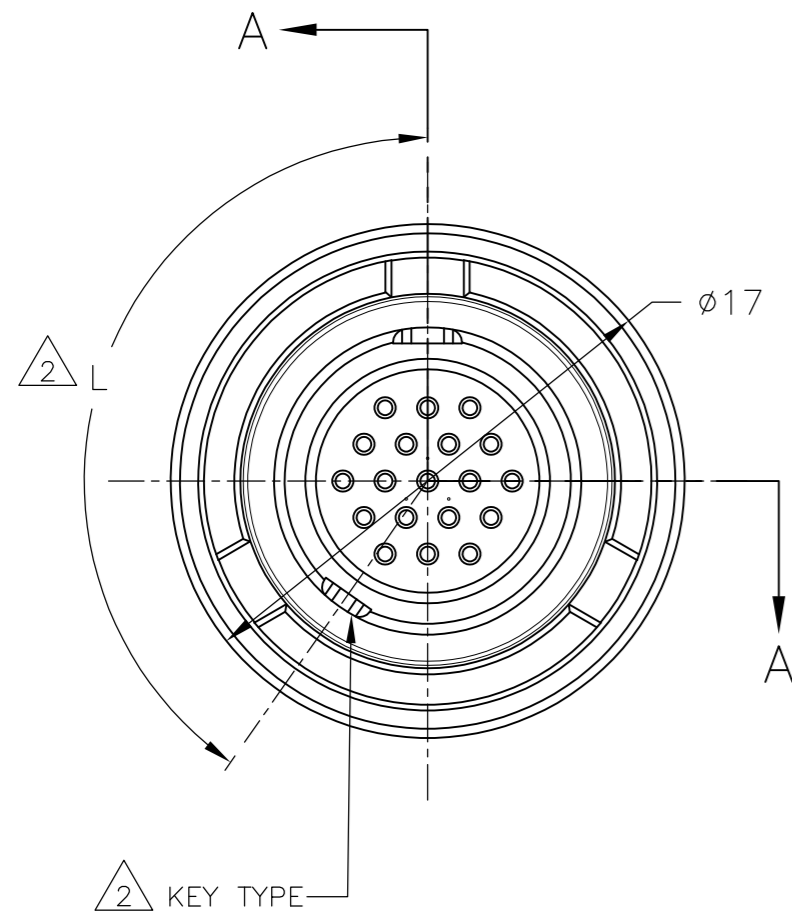


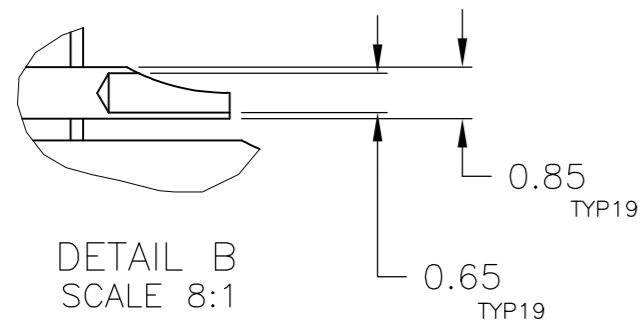
REVISIONS					
P	LTR	DESCRIPTION	DATE	DWN	APVD
C1		REVISED	01NOV2016	C.O	T.K

△ MATERIAL: BRASS
 FINISH : BLACK Su-Ni OVER Ni.
 △ KEY POSITION: TYPE N IS NORMAL POSITION.
 OPTION KEY IS TYPE A (-2) AND TYPE B (-3).
 △ "#" IS BODY No.

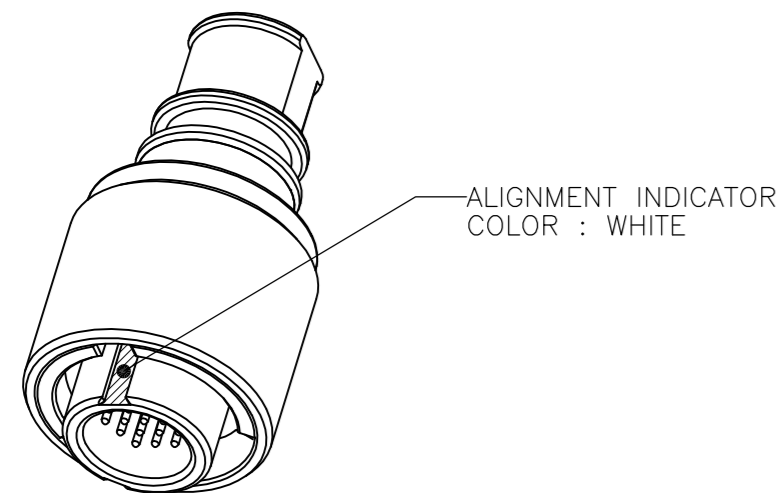
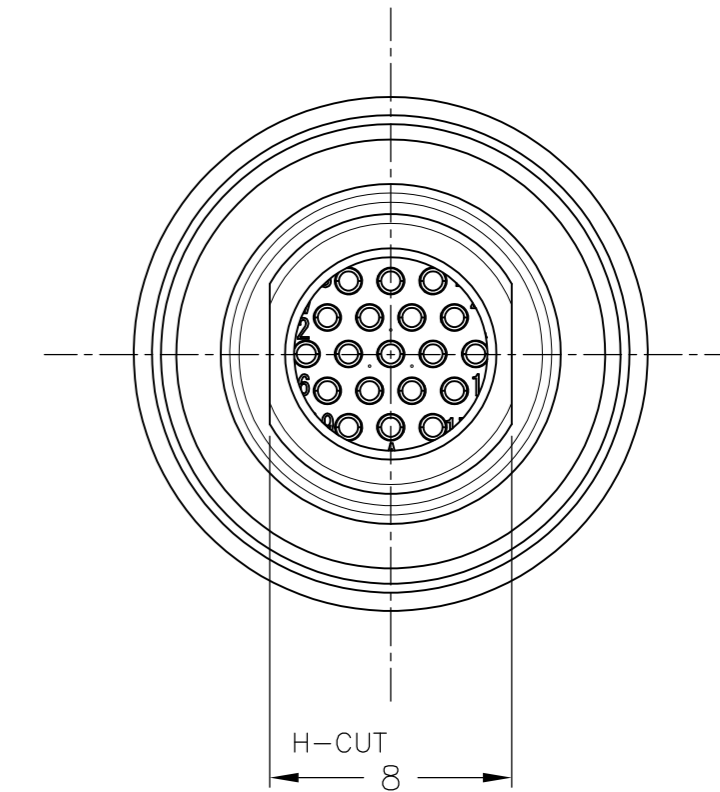
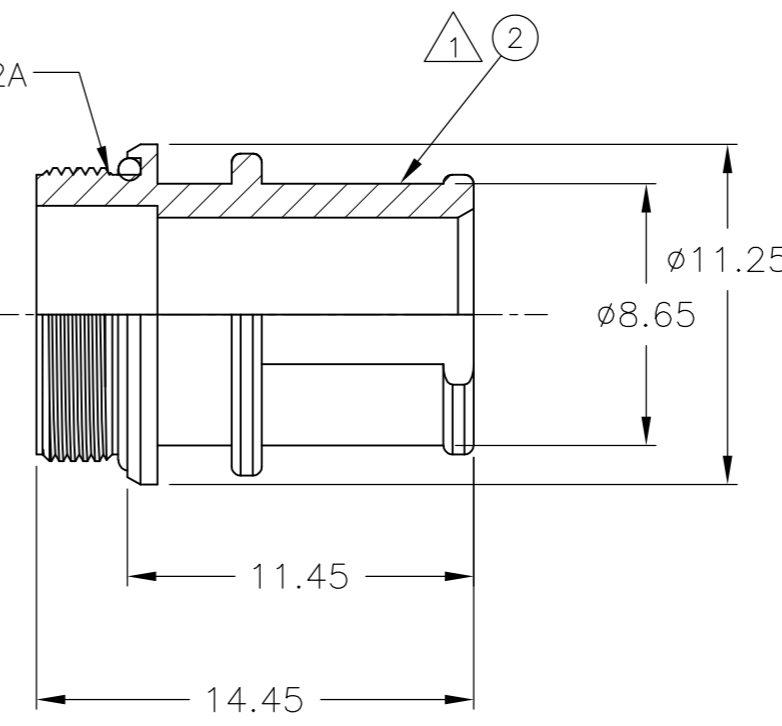
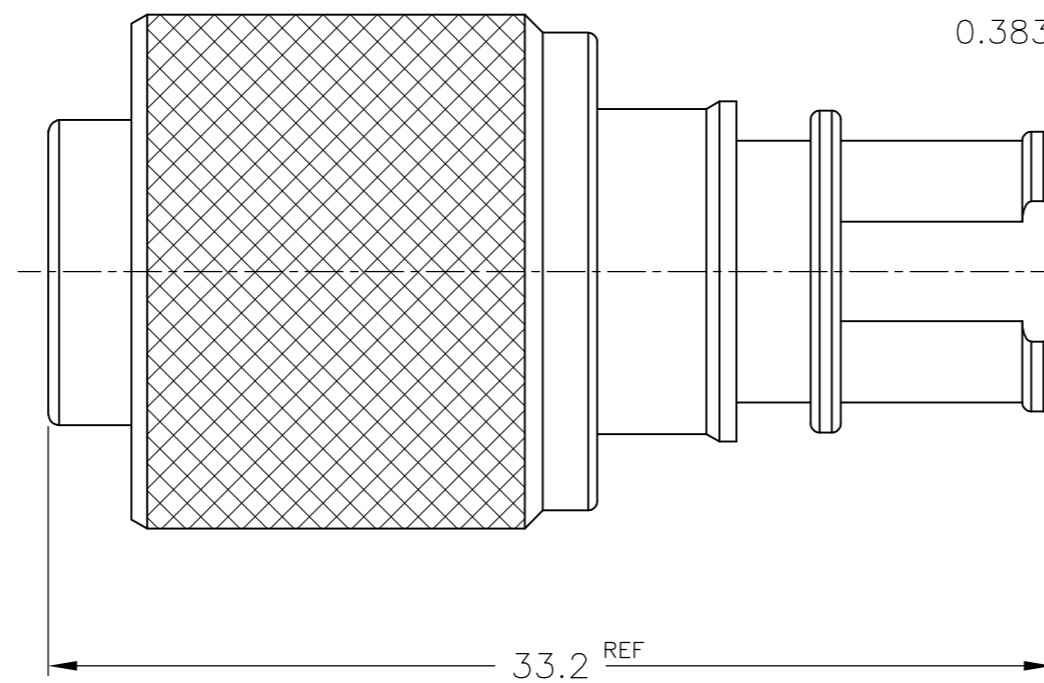
145°	TYPE N	1-2201481-1	△
270°	TYPE B	2174211-3	
215°	TYPE A	2174211-2	
145°	TYPE N	2174211-1	
△ DIM L	DESCRIPTION	PART NO.	



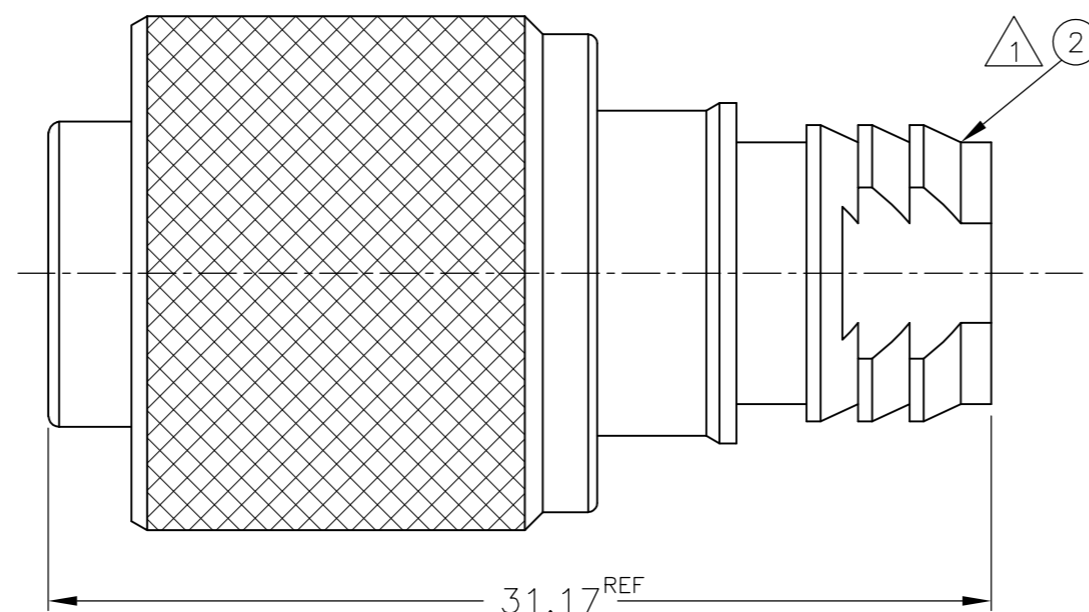
Ⓒ LETTER IDENTIFIES MOLDING TOOL CAVITY NOT CIRCUIT I.D.



AS SHOWN 2174211-*



REFERENCE SCALE 2:1
2174211-*



AS SHOWN 1-2174211-1

QTY	REQ.	PER	ASSY	DESCRIPTION	ITEM NO.
1	-	-	-	19P PLUG ADAPTOR SHORT WITH O-RING	②
-	1	1	1	19P PLUG ADAPTOR WITH O-RING	②
-	1	-	-	19P BAYONET PLUG PIN SOCKET/SOLDER CUP CONT ASSY TYPE B	①
-	-	1	-	19P BAYONET PLUG PIN SOCKET/SOLDER CUP CONT ASSY TYPE A	①
1	-	-	1	19P BAYONET PLUG PIN SOCKET/SOLDER CUP CONT ASSY TYPE N	①
1-#-1	-3	-2	-1	DESCRIPTION	ITEM NO.

△ REVISION OF EACH ASSY NO. (WHEN BLANK, USE DRAWING REVISION)

THIS DRAWING IS A CONTROLLED DOCUMENT.		DWN	03FEB2012	TE Connectivity	
DIMENSIONS: mm		T.SUGIYAMA		NMSMC 19P BAYONET PLUG PIN SOCKET / SOLDER CUP CONNECTOR / KIT	
TOLERANCES UNLESS OTHERWISE SPECIFIED: ±0.1		CHK	03FEB2012	SIZE	
0 PLG ±		T.TONOBÉ		CAGE CODE	
1 PLG ±		APVD	03FEB2012	DRAWING NO	
2 PLG ±		T.SUGIYAMA		RESTRICTED TO	
3 PLG ±		PRODUCT SPEC		SCALE	
4 PLG ±		APPLICATION SPEC		SHEET	
ANGLES ±		108-78938		REV	
FINISH		114-5503		C1	
MATERIAL		WEIGHT	0.000000	CUSTOMER DRAWING	
		SCALE	4:1	SHEET 1 OF 1	

Mouser Electronics

Authorized Distributor

Click to View Pricing, Inventory, Delivery & Lifecycle Information:

[TE Connectivity:](#)

[2174211-2](#)