

THIS DRAWING IS UNPUBLISHED. RELEASED FOR PUBLICATION AUGUST, 2006.

© COPYRIGHT 2006 BY TYCO ELECTRONICS CORPORATION. ALL RIGHTS RESERVED.

LOC	DIST	REVISIONS					
E	B	P	LTR	DESCRIPTION	DATE	DWN	APVD
		B		ECR-06-017552	01AUG06	JMS	FWK

NOTES:

- 1 PACK IN ACCORDANCE WITH AMP SPEC 107-3275
- 2 100 TRAY PACK IN ACCORDANCE WITH AMP SPEC 107-3275
- 3 Au PLATING
- 4 Ni PLATING
- 5 THIS ITEM MUST BE WHITE

6 ELECTRICAL CHARACTERISTICS

FREQUENCY RANGE:	DC - 11 GHz
NOMINAL IMPEDANCE:	50 Ohm
INSULATION RESISTANCE:	5000 MOhm
WORKING VOLTAGE:	1000 Volts RMS at Sea Level
DIELECTRIC WITHSTAND VOLTAGE:	2500 Volts RMS Max
CONTACT RESISTANCE:	
CENTRE CONTACT:	1.00 mOhm Max
OUTER CONTACT:	1.00 mOhm Max
VSWR @ 4GHz:	1.30:1 Max
INSERTION LOSS dB @ x 4 GHz:	0.30 Max

7 MECHANICAL CHARACTERISTICS

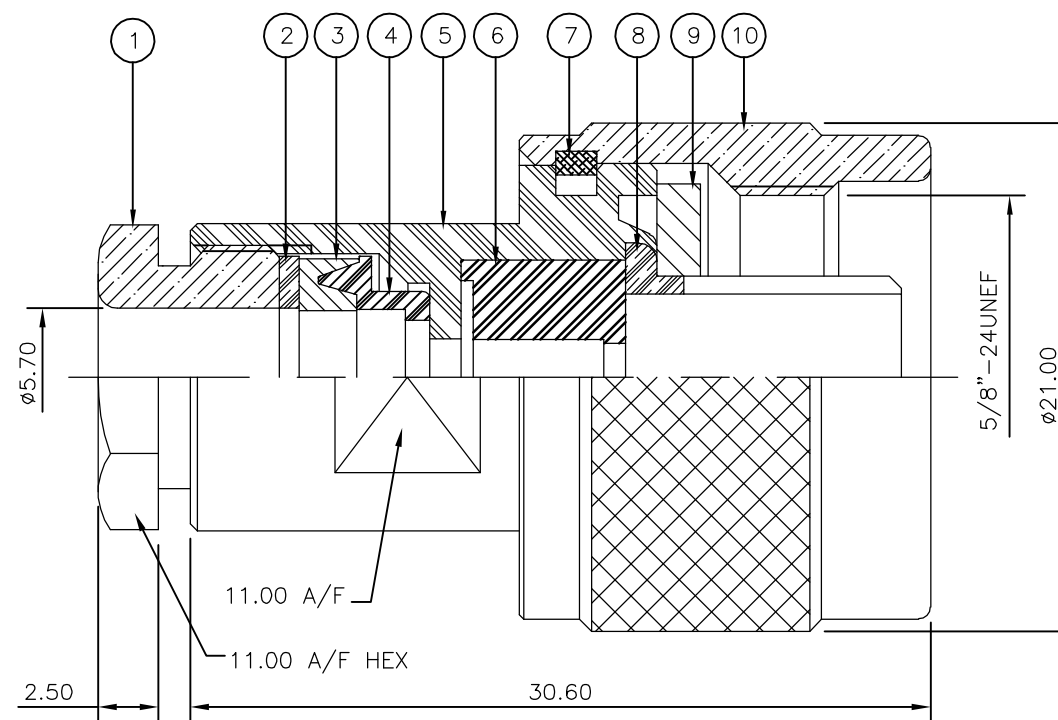
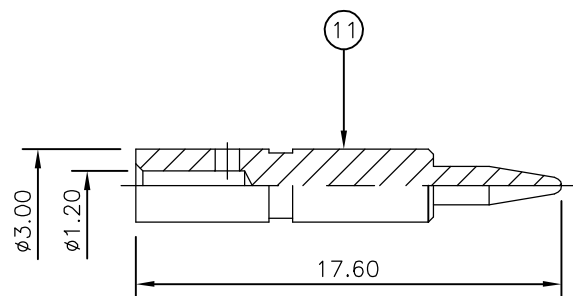
COUPLING NUT RETENTION FORCE:	445N Min
CABLE RETENTION FORCE:	170N Min
CLAMP NUT RECOMMENDED TORQUE:	4N
DURABILITY:	500 Cycles Min

8 ENVIRONMENTAL CHARACTERISTICS

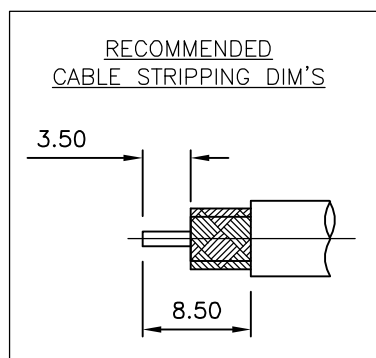
OPERATING TEMPERATURE:	-65 to +165 DegC
------------------------	------------------

9 FOR TECHNICAL DATA REFER TO YOUR LOCAL TYCO ELECTRONICS SALES OFFICE

10 ALL DIMENSIONS ARE NOMINAL FOR REFERENCE ONLY UNLESS OTHERWISE STATED



QTY	QTY PER ASSY	MATERIAL	DESCRIPTION	ITEM
1	1	BRASS	CONTACT	11
1	1	BRASS	SHELL	10
1	1	SILICON RUBBER	GASKET	9
1	1	BRASS	CHASSIS	8
1	1	BRASS	CIRCLIP	7
1	1	PTFE	INSULATION	6
1	1	BRASS	BODY	5
1	1	BRASS	SLEEVE	4
1	1	SILICON RUBBER	GASKET	3
1	1	BRASS	WASHER	2
1	1	BRASS	CLAMP NUT	1
		6--01--0	MATERIAL	DESCRIPTION
		2		



THIS DRAWING IS A CONTROLLED DOCUMENT.		DWN J.SANDWELL 01AUG06	Tyco Electronics Corporation Bideford EX39 4HE	
DIMENSIONS: mm		CHK S.PARLOW 01AUG06	NAME TYPE-N STRAIGHT PLUG SOLDER 50 OHM RG55B/U, 142B/U, 223/U, 400/U, URM301, KX23	
TOLERANCES UNLESS OTHERWISE SPECIFIED:		APVD F.WHEELER-KING 01AUG06	PRODUCT SPEC	
0 PLC ± -		APPLICATION SPEC		
1 PLC ± -		WEIGHT -		
2 PLC ± -		SIZE A3		
3 PLC ± -		CAGE CODE 00779		
4 PLC ± -		DRAWING NO C-1478187		
ANGLES ± -		RESTRICTED TO -		
FINISH -		SCALE NTS		
MATERIAL SEE TABLE		SHEET 1 OF 1		
		REV B		