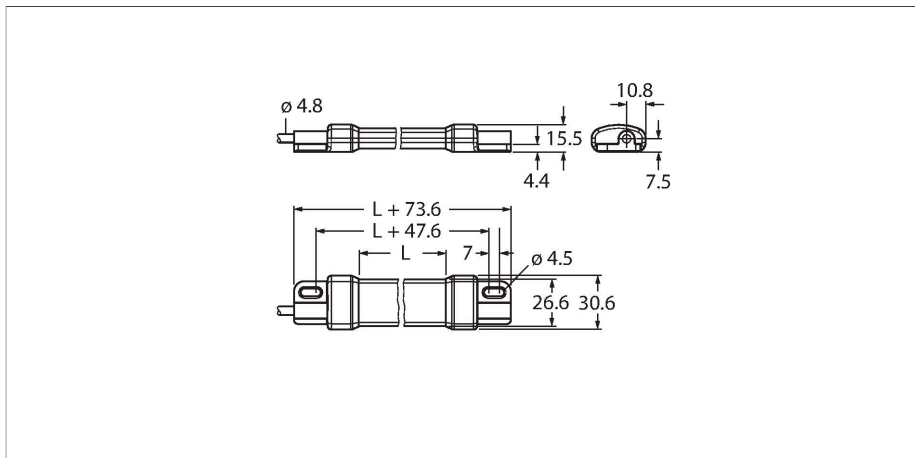


# WLS15XWW1200DSC2

## Work Light – Linear Light



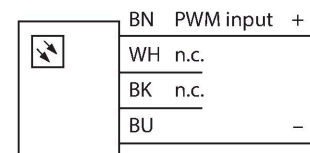
### Technical data

Type	WLS15XWW1200DSC2
ID	3802078
<b>Signal and display data</b>	
Purpose	LED work light
Function	Linear light
Light type	White
Color temperature	2700...+3100 K
Aperture angle degree	60 °
LED service life (L70)	50000 h
Dimmable	PWM
Features of color 1	White, Permanently on, 1360 lm
<b>Electrical data</b>	
Operating voltage	10...27 VDC
DC rated operational current	≤ 800 mA
Max. current consumption per color	1920 mA
<b>Mechanical data</b>	
Cascadable	No
Design	Smooth barrel, WLS15
Dimensions	1200 x 30.6 x 15.5 mm
Housing material	Plastic, PC PA, Anodized
Window material	Polycarbonate, diffuse
Electrical connection	Cable, 2 m, PVC
Number of cores	2
Ambient temperature	-40...+60 °C
Storage temperature	-40...+70 °C
Protection class	IP66

### Features

- Protection class IP67
- Connection: Cable, PVC, 2 m
- Length of the illuminated area L: 1126.4 mm
- Color: White
- Operating voltage: 10...15 VDC or 20...27 VDC
- Dimmable from 25 to 100 % with up to 1000 Hz over the input signal

### Wiring diagram



### Functional principle

The energy-efficient LED work lights are ideally suited for industrial applications. Depending on the model, the luminous flux is 170 or 1400 lumen. The device is immediately operational upon application of power (10...15 or 20...27 VDC). The WLS15 series can thus be operated with either the 12 V usual in on-board electrical systems or the 24 V common in industrial applications. Cascadable variants are also available. Variants with a 2 m cable or a short cable with a M12 × 1 or Deutsch connector are available.

Application note:  
Cascading with a 12-V supply allows a total light length of 2.4 m. Cascading with a 24-V supply allows a total light length of 6.0 m.

## Technical data

IP67

### Tests/approvals

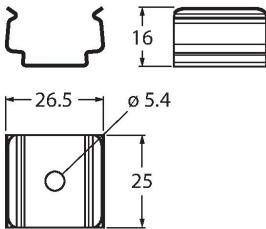
Approvals

CE, cULus, cURus

## Accessories

### LMBWLS15

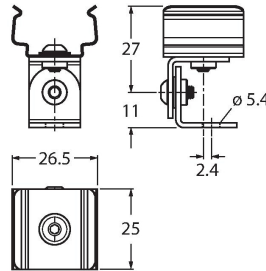
3802486



Mounting accessories, kit consisting of three retaining clips for wall mounting of WLS15 work lights

### LMBWLS15-150S

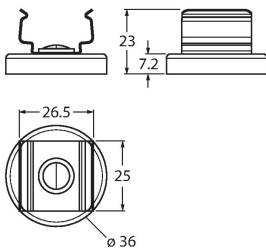
3802214



Mounting accessories, kit consisting of two retaining clips with option of rotation by 150°, for wall mounting of WLS15 work lights, stainless steel

### LMBWLS15MAG

3802238



Mounting accessories, kit consisting of two retaining clips with magnetic foot, for wall mounting of WLS15 work lights, retention force up to 16 lb

### LMBWLS15TD

3802296

Mounting accessories, kit consisting of two strips of double-sided adhesive tape, for wall mounting of WLS15 work lights

### LMBWLS15TF

3801144

Mounting accessories, kit consisting of two strips of double-sided foam urethane tape, for wall mounting of WLS15 work lights