

SPECIFICATION SPC-3028 (versi on 01)

Item Name : MICRO SWITCHES

Item No. : MS-10102

1. Rated voltage and current : DC 6 V , 0.1 A

2. Function : 1 P(Pole) - 2 T(Throw)

3. Timing : NON-SHORTING

4. Electrical performance

| | Test conditions | Performance |
|---------------------------|---|-------------------------|
| 4.1 Contact resistance | Being measured at 1KHz \pm 200 Hz at no load. | Max. 100 m Ω |
| 4.2 Insulation resistance | Being measured with an insulation measuring device of DC 100V between any open terminals and between the terminal and the frame for 1 minute \pm 5 seconds. | Min. 100 M Ω |
| 4.3 Dielectric strength | Withstand AC 250V (50-60Hz) for 1 minute being applied between any open terminals and between the terminal and the frame. | Not breaking insulation |

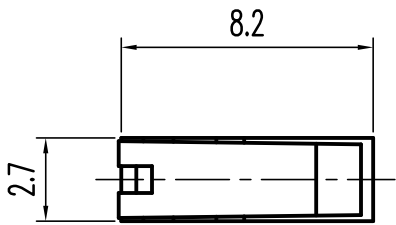
5. Mechanical performance

| | Test conditions | Performance |
|--------------------------|---|---|
| 5.1 Operating force (gf) | | 30 \pm 20 |
| 5.2 Terminal strength | A static force of 500gf being applied in one direction on the tip of the terminal for 1 minute. | The terminal may be deformed, but shall not sustain any trouble as deviation and breaking of terminal, and breaking of insulation material. Electrical performance of the above 4 shall be assured. |

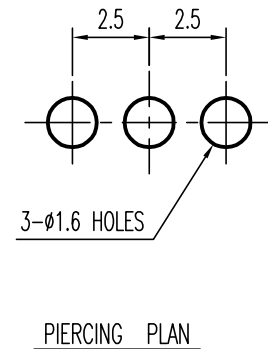
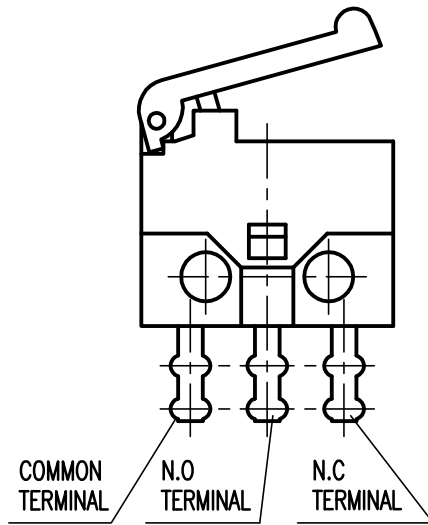
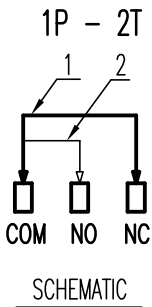
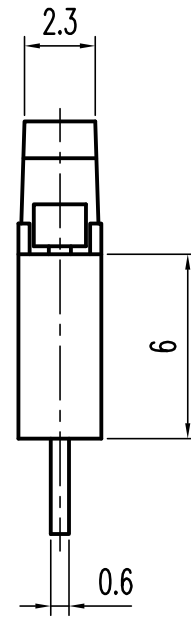
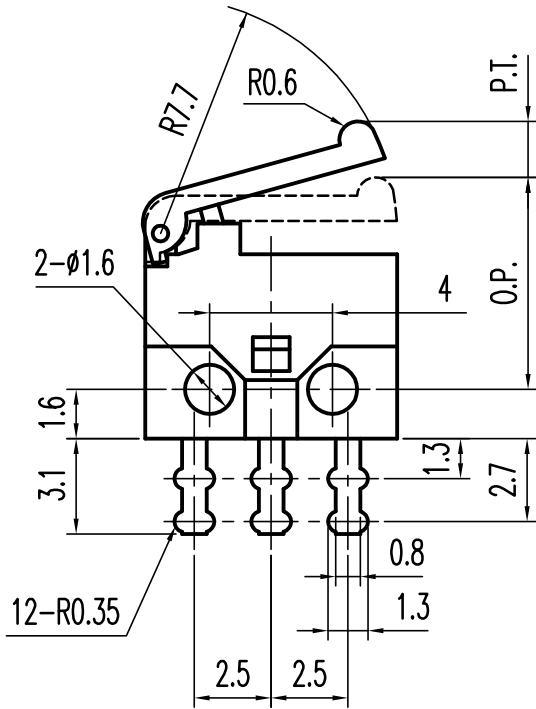
6. Durability :

| | Test conditions | Performance |
|----------------|--|--|
| Operating life | 10,000 cycles operating at a rate of 15-20 cycles per minute, at rated load. | (1) Contact resistance : Max. 500 m Ω (2) Insulation resistance : Min. 100 M Ω (3) Withstand voltage : AC 250 V, 1 minute, not breaking insulation. (4) Operating force : -30% or less of initial value. (5) There shall be no defects in appearance or in the mechanical functions. |

7. Solderability : 260 \pm 5 $^{\circ}$ C , 3 \pm 0.5 second.8. Practical temperature range : -30 $^{\circ}$ C --- +70 $^{\circ}$ C.



| DESCRIPTION | |
|-------------|---------------------------------|
| O.P. | OPERATING POSITION = 6.7 ±0.5mm |
| P.T. | PRETRAVEL = 2.5mm (MAX.) |
| O.T. | OVER TRAVEL = 0.3mm (MIN.) |



| | | | | | | | | |
|----|---------------|----------|-----|---------|------------|-------------|----------|------|
| 5 | TERMINAL | | | | | | | |
| 4 | TERMINAL BASE | | | | | | | |
| 3 | CONTACT | | | | | | | |
| 2 | KNOB | | | | | | | |
| 1 | FRAME | | | | REV | DESCRIPTION | SIGN. | DATE |
| NO | PART | MATERIAL | QTY | REMARKS | VERSION 01 | DWG NO. | ITEM1805 | |

| TOLERANCES UNLESS OTHERWISE SPEC. | | TITLE | MICRO SWITCH | | ITEM NO. | MS-10102 | | |
|-----------------------------------|--------|----------|--------------|----------|------------|----------|------|----|
| UNDER 1 | ± 0.10 | DRAWN | L. F. L A I | 4 AUG 00 | SCALE | 5 : 1 | UNIT | mm |
| 1 - 10 | ± 0.30 | APPROVED | | | PROJECTION | | | |
| OVER 10 | ± 0.50 | | | | | | | |

COMAX INDUSTRIAL CO., LTD.