

POWER MAGNETICS
DC/DC Converter

PM02116

- Minimum interwinding breakdown voltage of 1500 Vrms
- PWB Process Capability: standard printed wiring board assembly techniques, total-immersion cleaning
- Reliability testing: shock, vibration, temperature cycling, temperature - humidity - bias

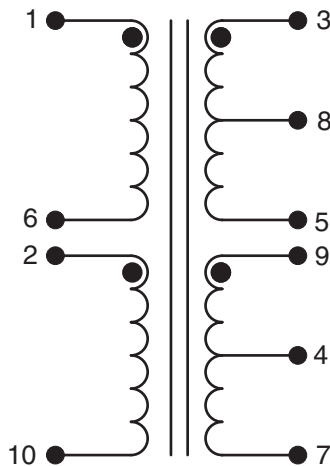
ELECTRICAL SPECIFICATIONS at 25° C

Part Number	Turns Ratio ± 2%	Primary Inductance ³ mH min	DCR Ω max		
			(1 - 6) (2 - 10)	(8 - 5) (9 - 4)	(3 - 8) (4 - 7)
2687P	1.64 ¹ 1.50 ²	50	1.92	2.30	3.73

1. 3 - 7 (connect 8 - 4) to 1 - 10 (connect 6 - 2)
2. 3 - 8 : 8 - 5
3. Measured @ 10 kHz, 1 Vac, 1 - 10 (connect 6 - 2)

SCHEMATIC

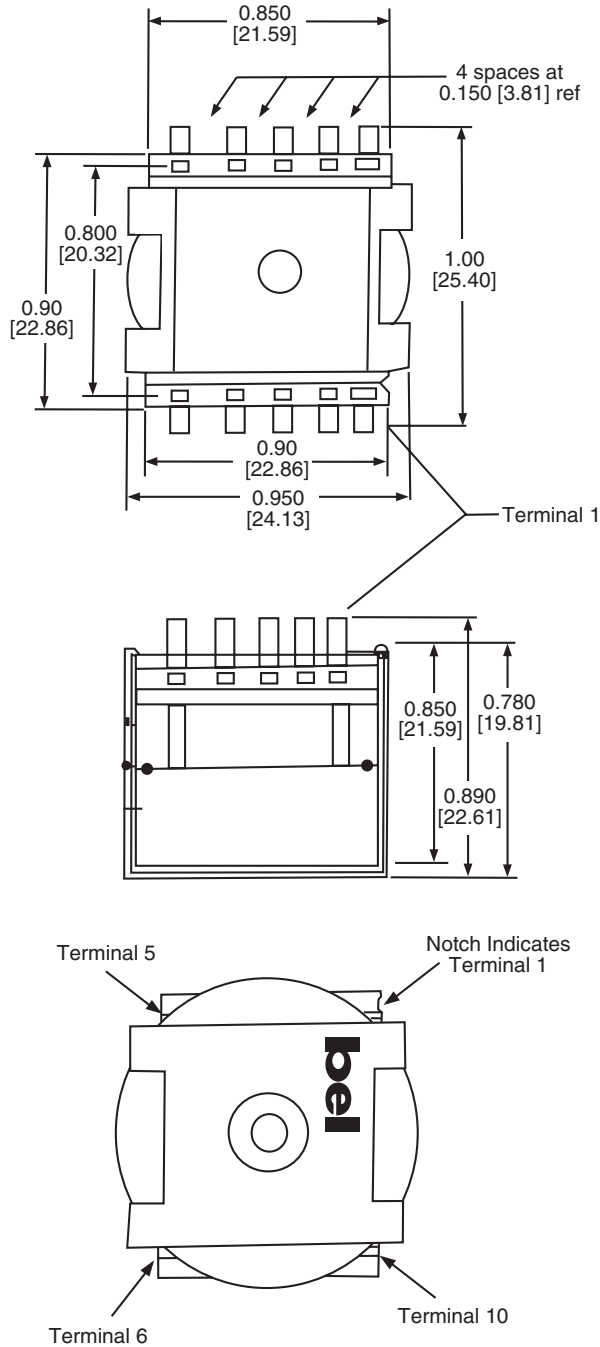
2687P



POWER MAGNETICS DC/DC Converter

MECHANICAL

2687P



©2002 Bel Fuse Inc. Specifications subject to change without notice. 12.02

CORPORATE

Bel Fuse Inc.
206 Van Vorst Street
Jersey City, NJ 07302
Tel 201-432-0463
Fax 201-432-9542
www.belfuse.com

FAR EAST

Bel Fuse Ltd.
8F / 8 Luk Hop Street
San Po Kong
Kowloon, Hong Kong
Tel 852-2328-5515
Fax 852-2352-3706
www.belfuse.com

EUROPE

Bel Fuse Europe Ltd.
Preston Technology Management Centre
Marsh Lane, Suite G7, Preston
Lancashire, PR1 8UD, U.K.
Tel 44-1772-556601
Fax 44-1772-888366
www.belfuse.com